


**ISOMETRIC**

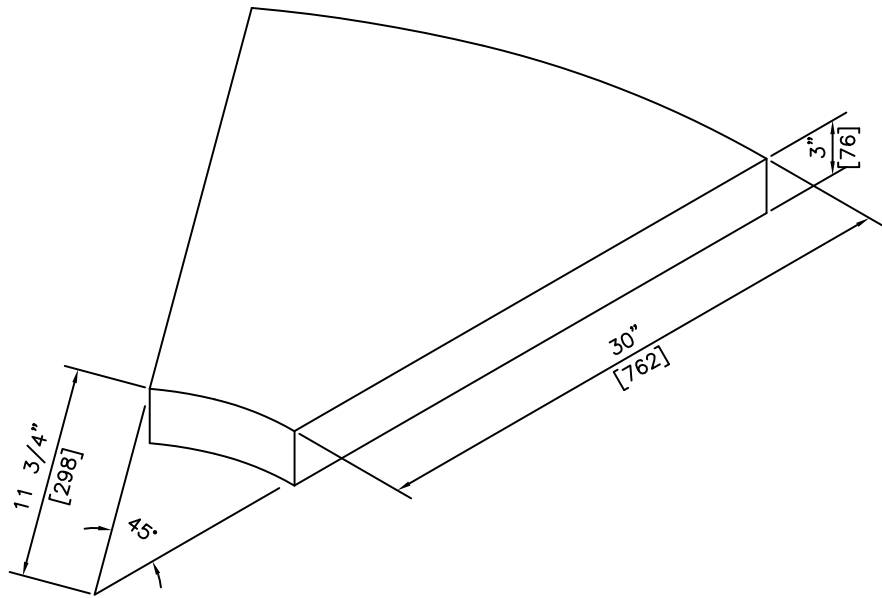
ITEM No.	DESCRIPTION
1701NR	18" x 18" - NON REINFORCED
1701R	18" x 18" - REINFORCED
1703NR	24" x 24" - NON REINFORCED
1703R	24" x 24" - REINFORCED
1705NR	24" x 30" - NON REINFORCED
1705R	24" x 30" - REINFORCED

**NOTES:**

1) 27.6MPa @ 28 DAYS

REVISED: MAR 13 2005

 <p><b>KON KAST</b> products (2005) Ltd. "Committed To Quality And Service"</p>	<p>3440 UNIVERSITY WAY KELOWNA B.C. V1V 1V9 PH: (250)765-1423 FX: (250)765-0820</p>	<p>BY: PKR DATE: MAR 13 05 SCALE: NTS</p>	<p><b>SIDEWALK BLOCKS</b></p>	<p>ITEM NO. <b>1705R</b></p>




**ISOMETRIC**

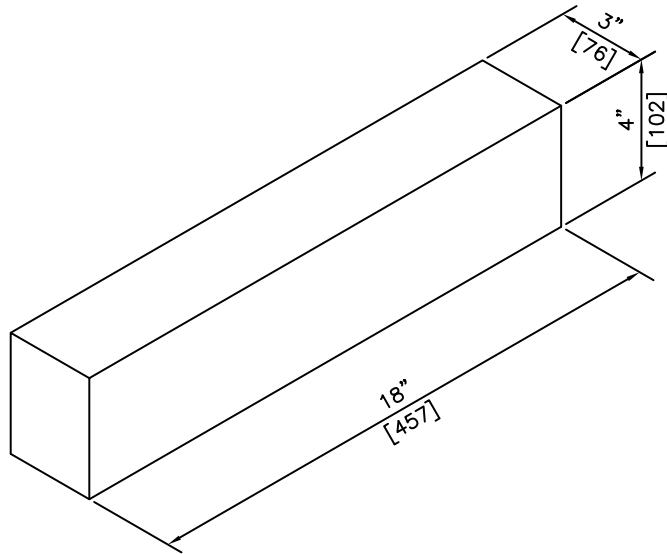
ITEM No.	DESCRIPTION
1704NR	24" CORNER – NON REINFORCED
1704R	24" CORNER – REINFORCED
1706NR	30" CORNER – NON REINFORCED
1706R	AS SHOWN

**NOTES:**

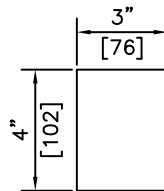
1) 27.6MPa @ 28 DAYS

REVISED: MAR 13 2005

 <p><b>KON KAST</b> products (2005) Ltd. "Committed To Quality And Service"</p>	<p>3440 UNIVERSITY WAY KELOWNA B.C. V1V 1V9 PH: (250)765-1423 FX: (250)765-0820</p>	BY: PKR	<p><b>SIDEWALK CORNERS</b></p>	ITEM NO.
		DATE: MAR 13 05		<p><b>1706</b></p>
		SCALE: NTS		



**ISOMETRIC**



**SECTION**

ITEM No.	DESCRIPTION
1710	AS SHOWN
1711	24" SIDEWALK RISER
1712	30" SIDEWALK RISER

REVISED: MAR 13 2005

**NOTES:**

1) 27.6MPa @ 28 DAYS



**KON KAST**

products (2005) Ltd.  
"Committed To Quality And Service"

3440 UNIVERSITY WAY  
KELOWNA B.C.  
V1V 1V9  
PH: (250)765-1423  
FX: (250)765-0820

BY: PKR

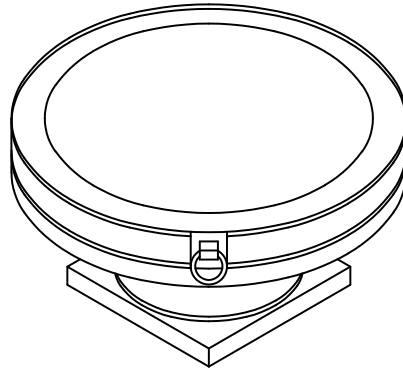
DATE: MAR 13 05

SCALE: NTS

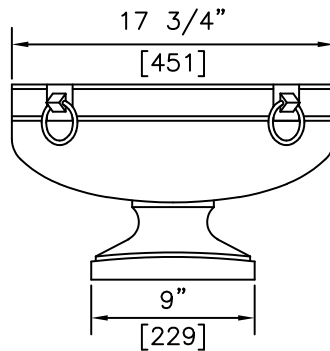
**SIDEWALK RISER**

ITEM NO.

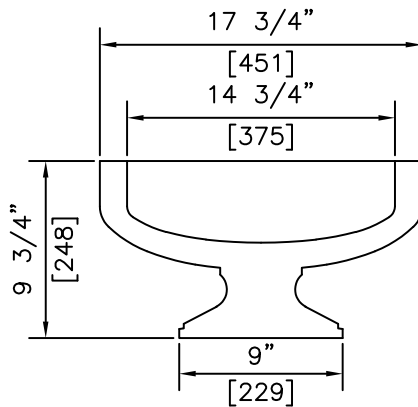
**1710**



**ISOMETRIC**



**ELEVATION**



**SECTION**

**NOTES:**

1) 27.6MPa @ 28 DAYS

REVISED: MAR 13 2005



**KON KAST**

products (2005) Ltd.  
"Committed To Quality And Service"

3440 UNIVERSITY WAY  
KELOWNA B.C.  
V1V 1V9  
PH: (250)765-1423  
FX: (250)765-0820

BY: PKR

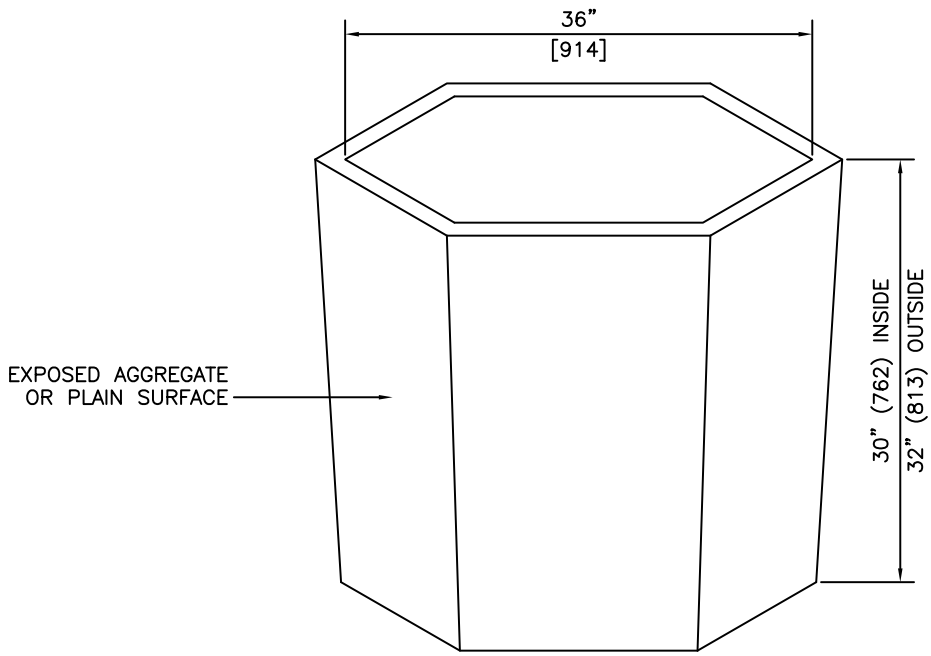
DATE: MAR 13 05

SCALE: NTS

**DECORATIVE  
FLOWER  
POT**

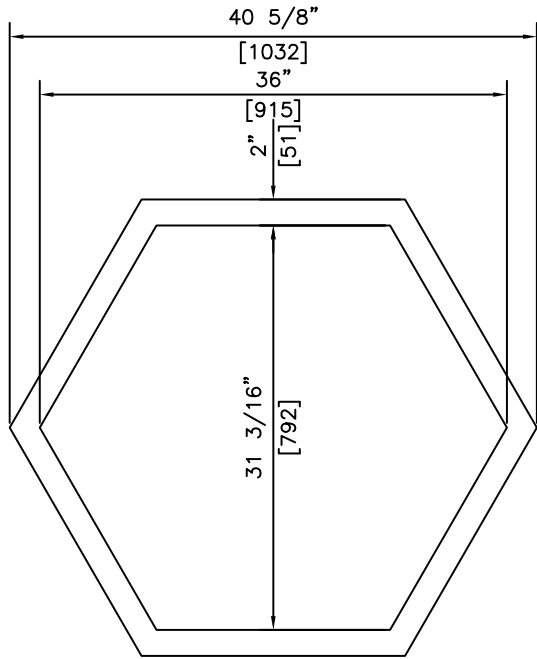
ITEM NO.

**1721**

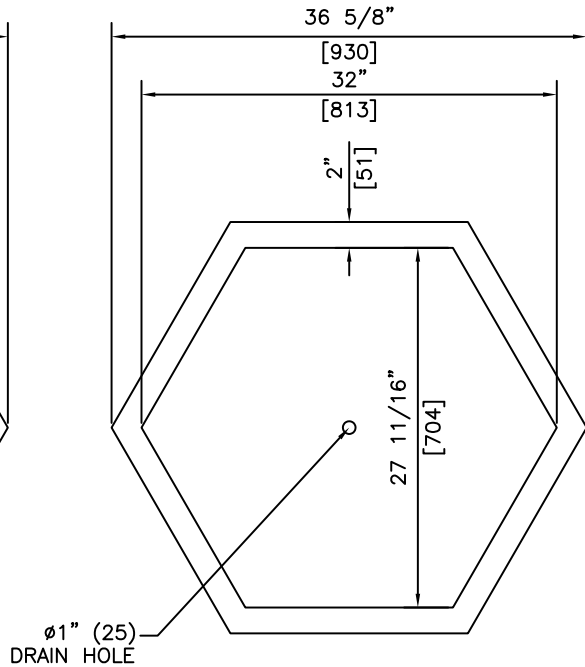


**ISOMETRIC**

**NOTE:**  
 2 -  $\phi 1/2"$  (13) INSERTS ARE LOCATED  
 ON INSIDE OF FLOWER POT FOR LIFTING



**TOP VIEW**



$\phi 1"$  (25)  
 DRAIN HOLE

**BOTTOM VIEW**

**NOTES:**  
 1) 27.6MPa @ 28 DAYS

REVISED: MAR 22 2005

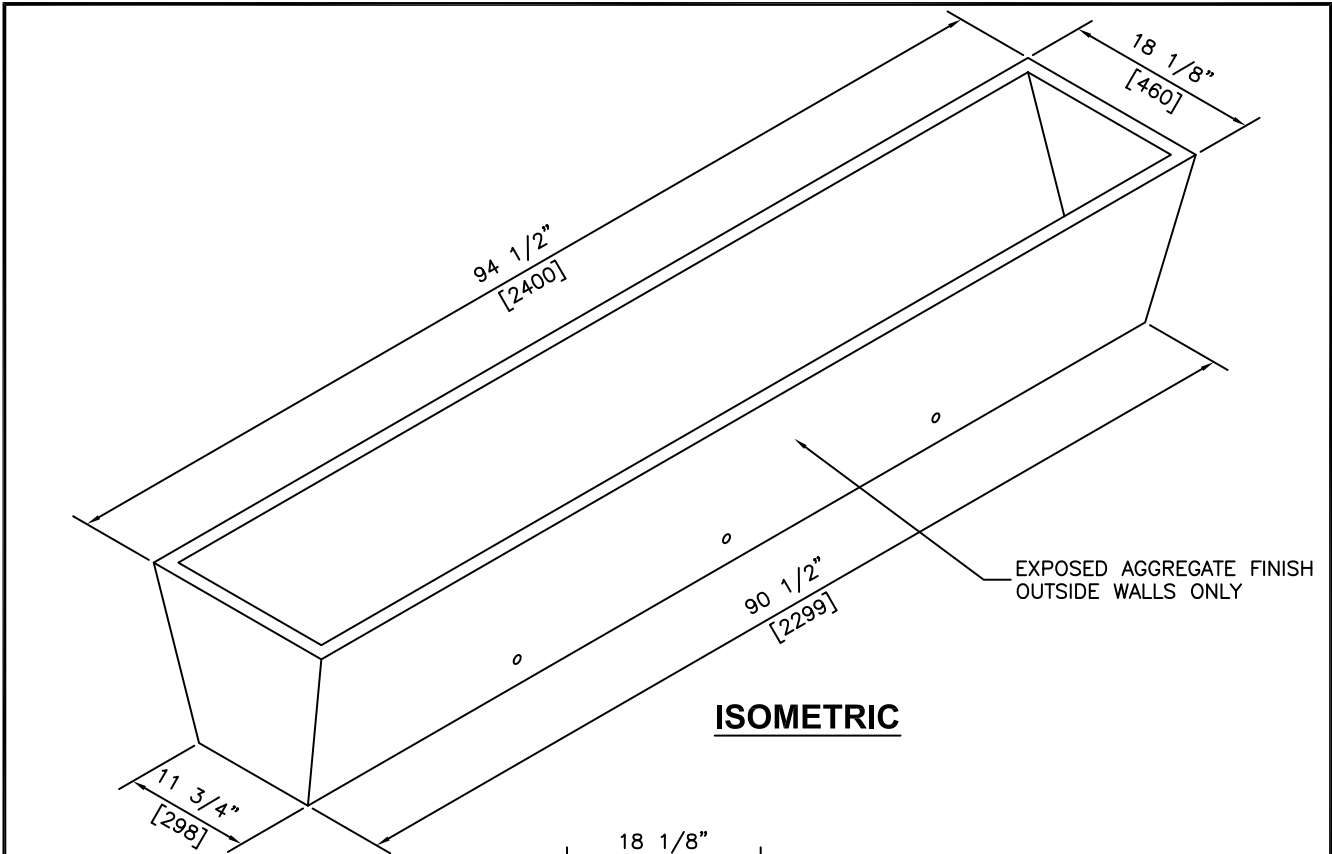
**KON KAST**  
 products (2005) Ltd.  
 "Committed To Quality And Service"

3440 UNIVERSITY WAY  
 KELOWNA B.C.  
 V1V 1V9  
 PH: (250)765-1423  
 FX: (250)765-0820

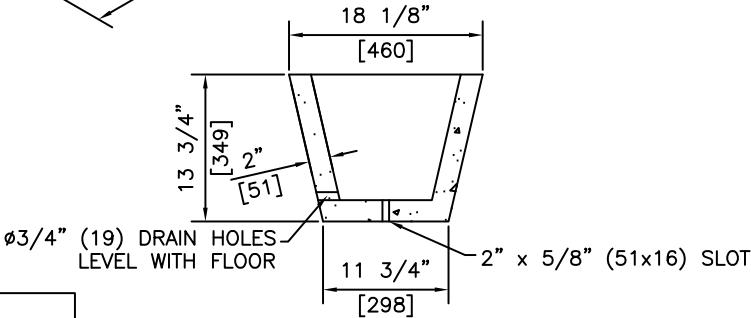
BY: PKR  
 DATE: MAR 25 05  
 SCALE: NTS

**LARGE HEXAGON  
 FLOWER  
 POT**

ITEM NO.  
**1725E**

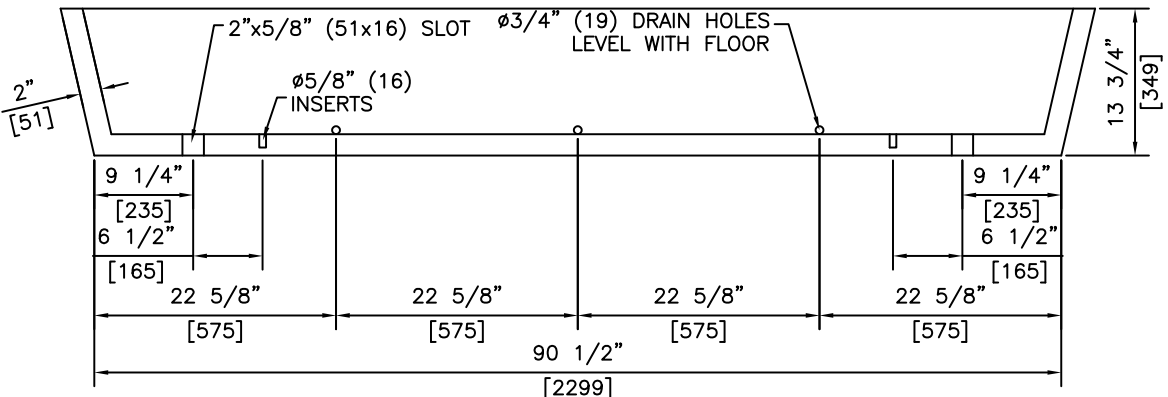


**ISOMETRIC**



**SECTION**


**NOTES:**  
 2 -  $\phi 1/2$ " (12) INSERTS ARE LOCATED ON INSIDE OF FLOWER POT FOR LIFTING

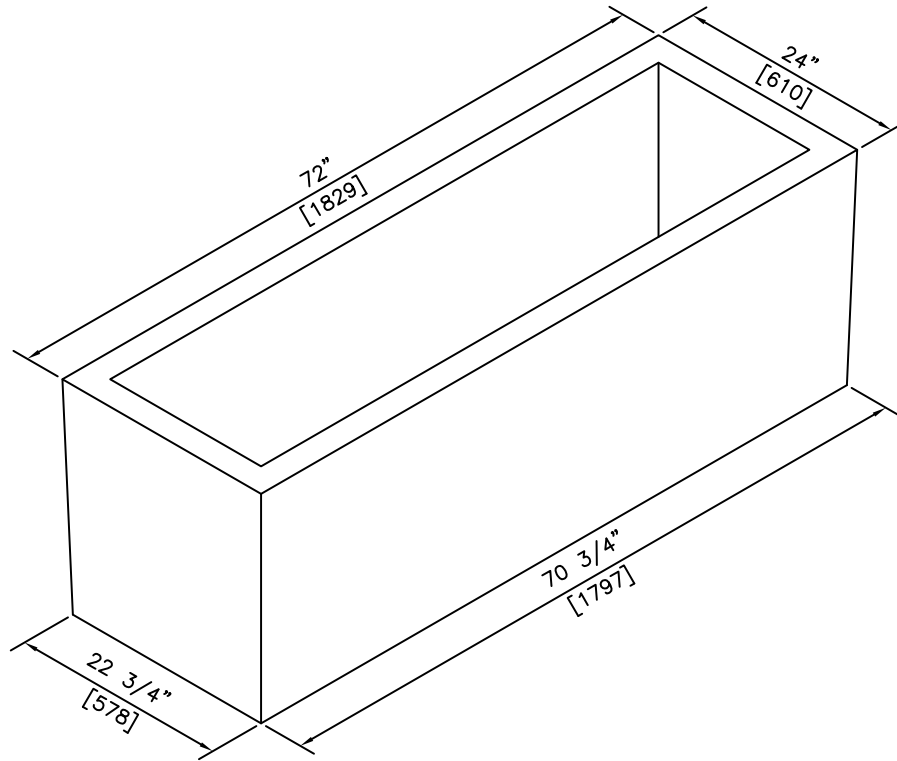


**SECTION**

**NOTES:**  
 1) 27.6MPa @ 28 DAYS

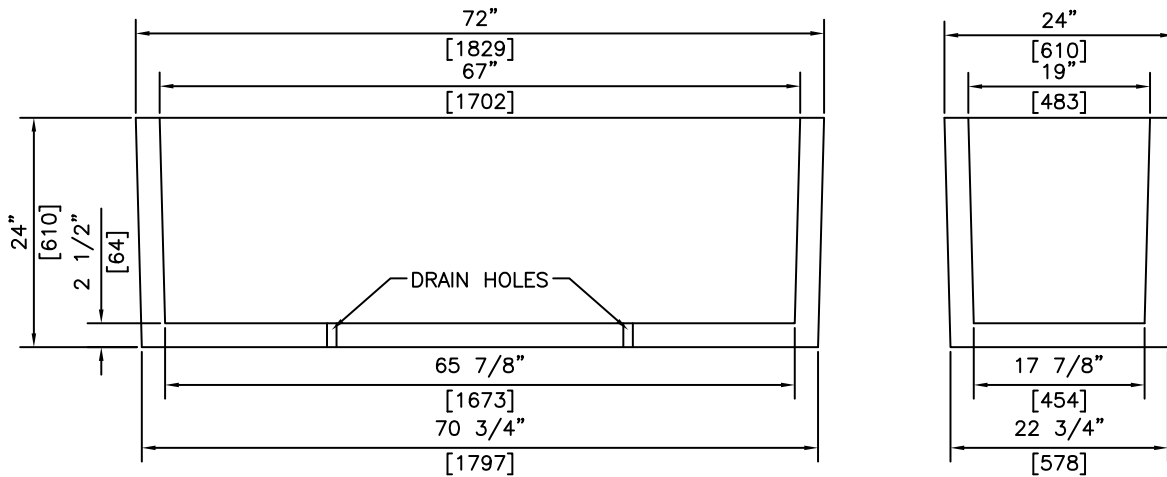
REVISED: MAR 22 2005

 <b>KON KAST</b> products (2005) Ltd. "Committed To Quality And Service"	3440 UNIVERSITY WAY KELOWNA B.C. V1V 1V9 PH: (250)765-1423 FX: (250)765-0820	BY: PKR DATE: MAR 22 05 SCALE: NTS	<b>FLOWER BOX</b>	ITEM NO. <b>1730E</b>



**ISOMETRIC**


**NOTES:**  
 2 -  $\phi 1/2$ " (12) INSERTS ARE  
 LOCATED ON INSIDE OF  
 FLOWER POT FOR LIFTING

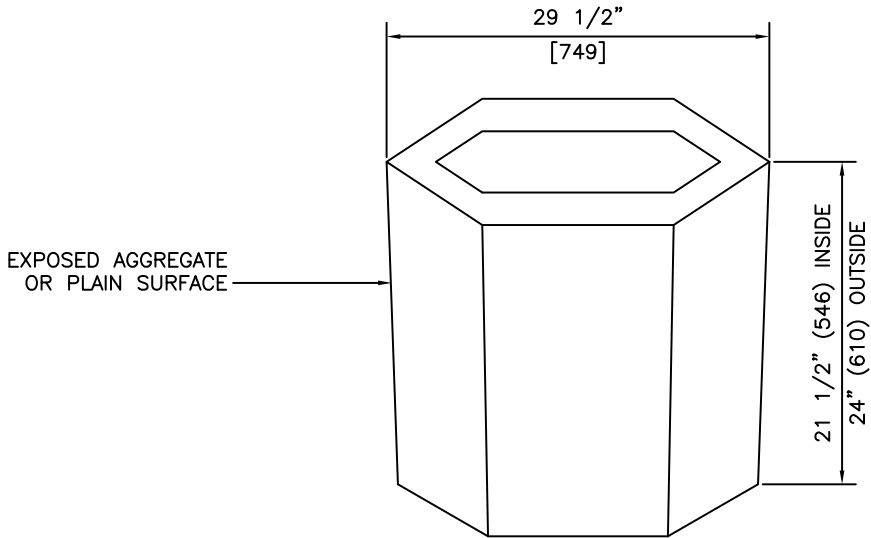


**SECTIONS**

**NOTES:**  
 1) 27.6MPa @ 28 DAYS

REVISED: MAR 22 2005

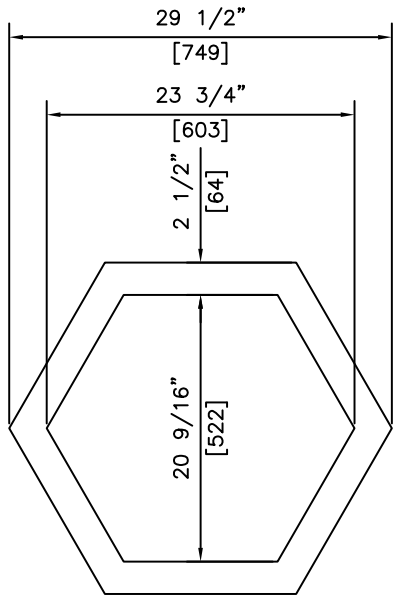
 <p><b>KON KAST</b>          products (2005) Ltd.          "Committed To Quality And Service"</p>	3440 UNIVERSITY WAY KELOWNA B.C. V1V 1V9 PH: (250)765-1423 FX: (250)765-0820	BY: PKR DATE: MAR 22 05 SCALE: NTS	<b>RECTANGULAR          FLOWER          BOX</b>	ITEM NO. <b>1735E</b>



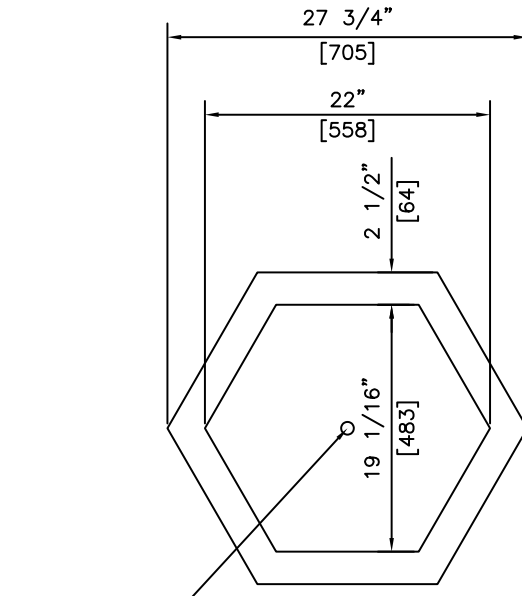
EXPOSED AGGREGATE  
OR PLAIN SURFACE

**ISOMETRIC**

**NOTE:**  
2 -  $\phi 1/2"$  (13) ARE LOCATED ON  
INSIDE OF FLOWER POT FOR LIFTING



**TOP VIEW**



$\phi 1"$  (25)  
DRAIN HOLE

**BOTTOM VIEW**

ITEM No.	DESCRIPTION
1743E12	POURED TO A 12" HEIGHT
1743E24	AS SHOWN
1743E36	POURED TO A 36" HEIGHT

REVISED: MAR 22 2005

**NOTES:**

1) 27.6MPa @ 28 DAYS



**KON KAST**

products (2005) Ltd.  
"Committed To Quality And Service"

3440 UNIVERSITY WAY  
KELOWNA B.C.  
V1V 1V9  
PH: (250)765-1423  
FX: (250)765-0820

BY: PKR

DATE: MAR 25 05

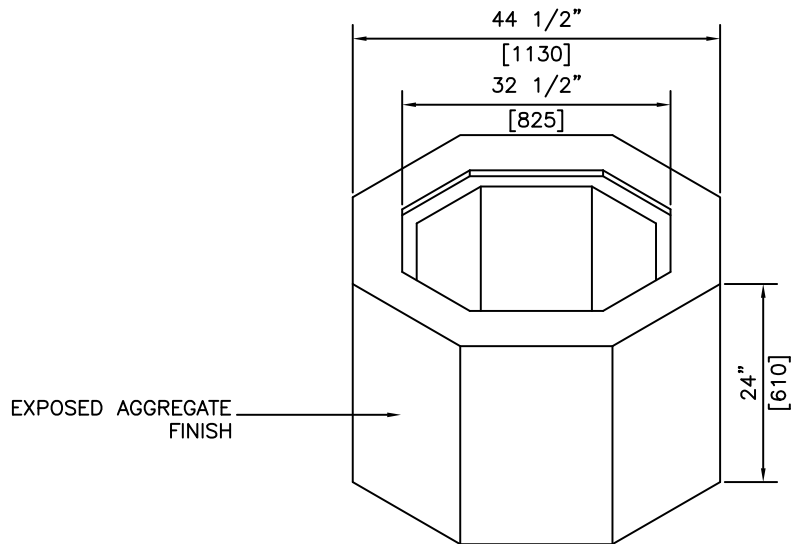
SCALE: NTS

**SMALL HEXAGON  
FLOWER  
POT**

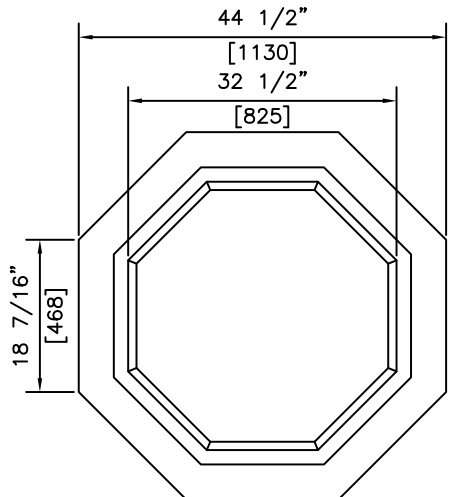
ITEM NO.

**1743E24**

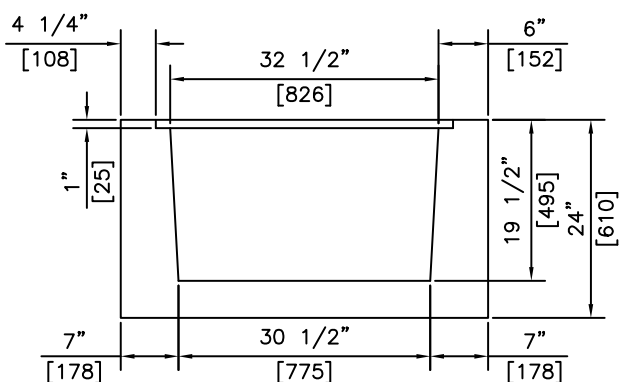




**ISOMETRIC**




**PLAN**

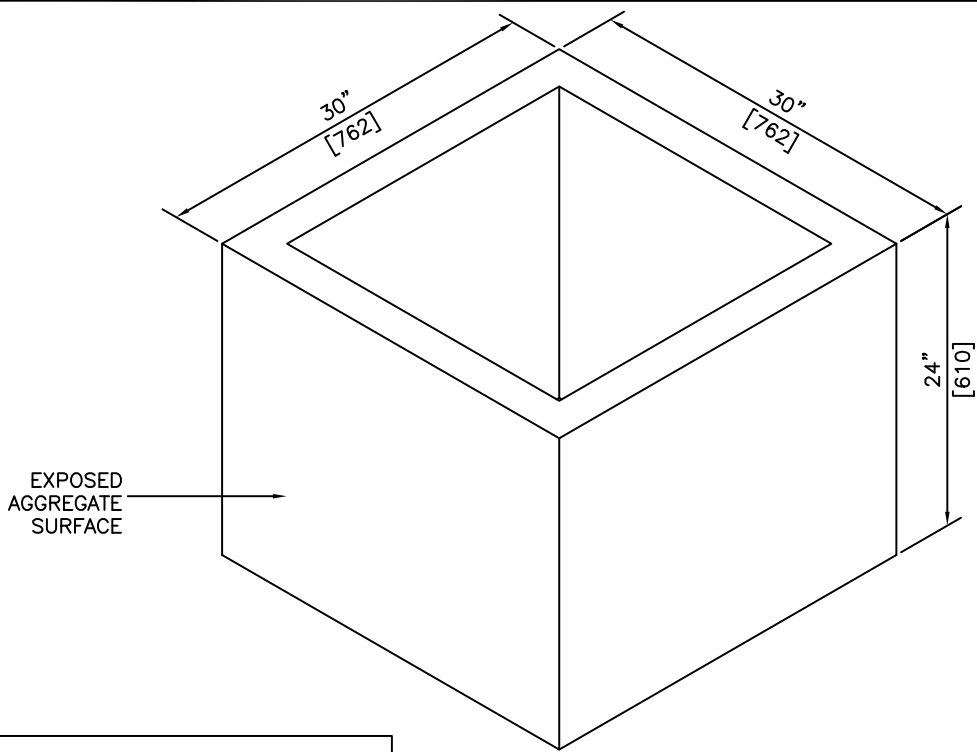


**SECTION**

- NOTES:**  
 1) 27.6MPa @ 28 DAYS  
 2) CAN BE MANUFACTURED WITHOUT A BOTTOM

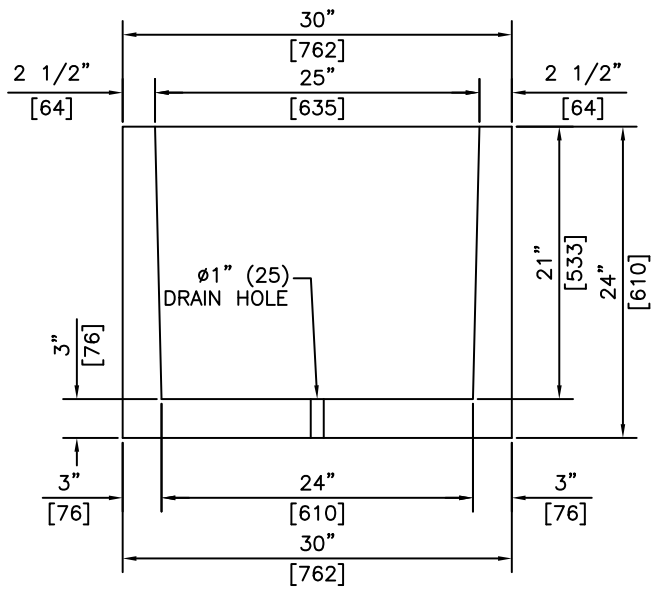
REVISED: MAR 13 2006

 <b>KON KAST</b> products (2005) Ltd. "Committed To Quality And Service"	3440 UNIVERSITY WAY KELOWNA B.C. V1V 1V9 PH: (250)765-1423 FX: (250)765-0820	BY: PKR DATE: MAR 23 05 SCALE: NTS	<b>FLOWER          BOX          (OCTAGON)</b>	ITEM NO. <b>1744E</b>



**NOTE:**  
 2 -  $\phi 1/2$ " (13) INSERTS ARE LOCATED  
 ON INSIDE OF FLOWER POT FOR LIFTING

**ISOMETRIC**




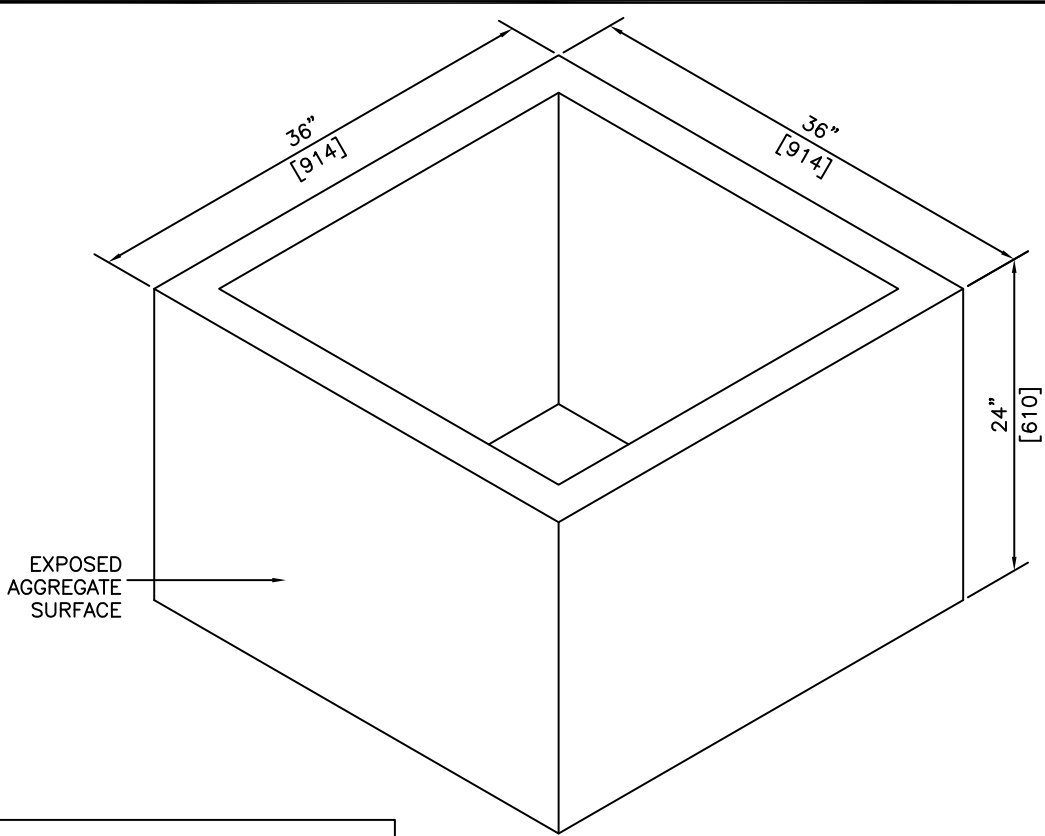
**SECTION**

ITEM No.	DESCRIPTION
1745E12	POURED TO A 12" HEIGHT
1745E24	AS SHOWN
1745E36	POURED TO A 36" HEIGHT

**NOTES:**  
 1) 27.6MPa @ 28 DAYS

REVISED: MAR 22 2005

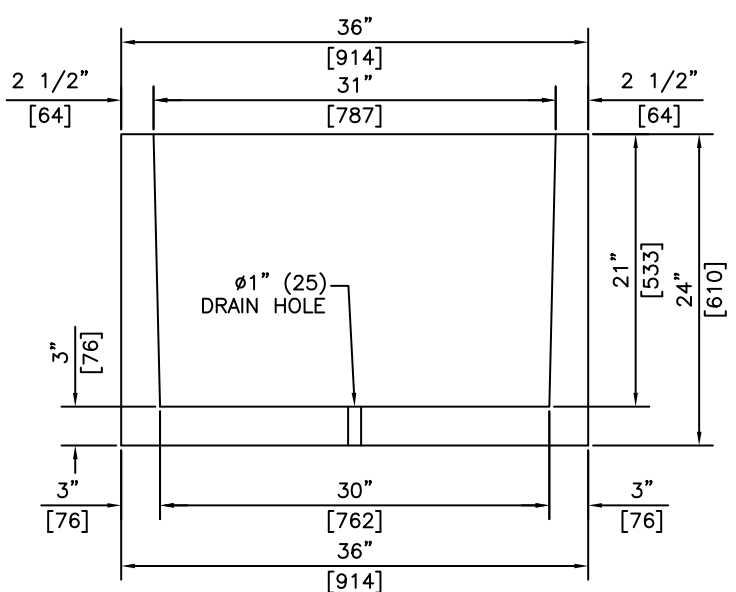
 <b>KON KAST</b> products (2005) Ltd. "Committed To Quality And Service"	3440 UNIVERSITY WAY KELOWNA B.C. V1V 1V9 PH: (250)765-1423 FX: (250)765-0820	BY: PKR DATE: MAR 25 05 SCALE: NTS	<b>30" (762)</b> <b>SQUARE FLOWER</b> <b>BOX</b>	ITEM NO. <b>1745E24</b>	



EXPOSED  
AGGREGATE  
SURFACE

**NOTE:**  
2 -  $\phi 1/2$ " (13) INSERTS ARE LOCATED  
ON INSIDE OF FLOWER POT FOR LIFTING

**ISOMETRIC**




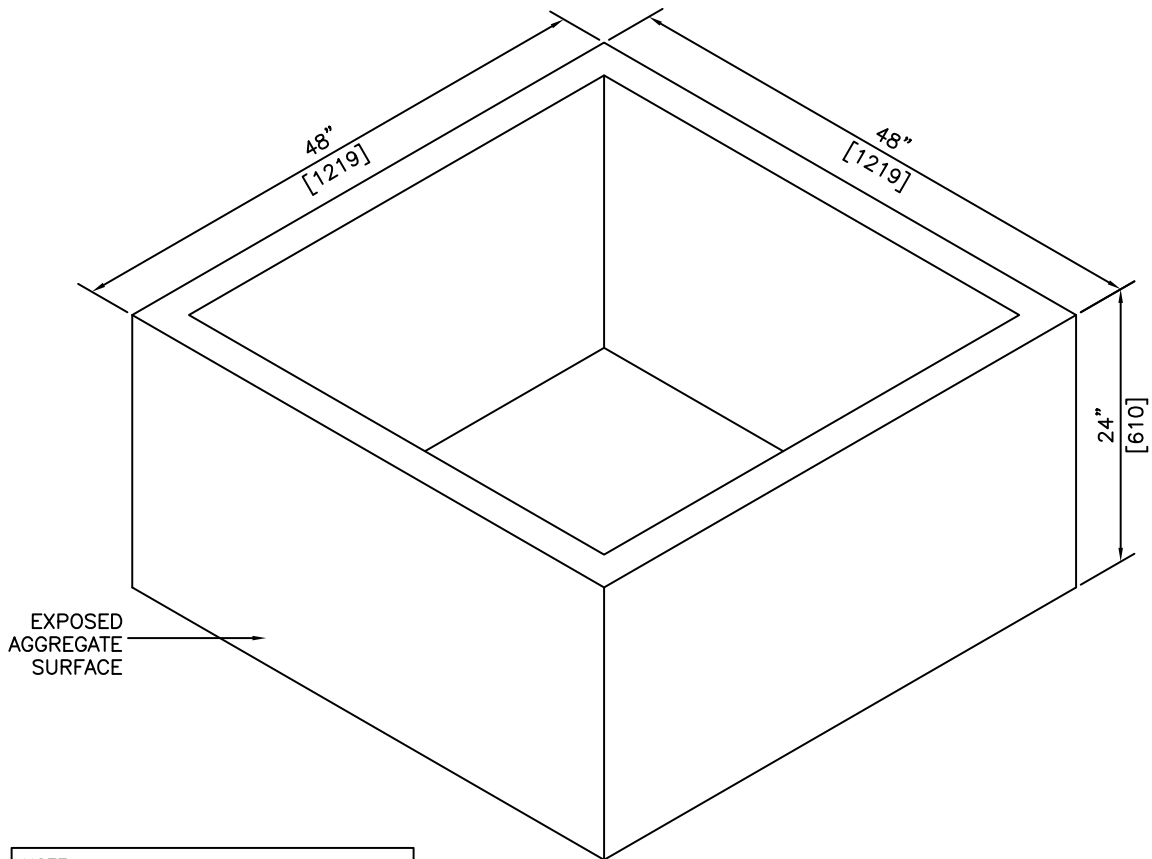
**SECTION**

ITEM No.	DESCRIPTION
1750E12	POURED TO A 12" HEIGHT
1750E24	AS SHOWN
1750E36	POURED TO A 36" HEIGHT

**NOTES:**  
1) 27.6MPa @ 28 DAYS

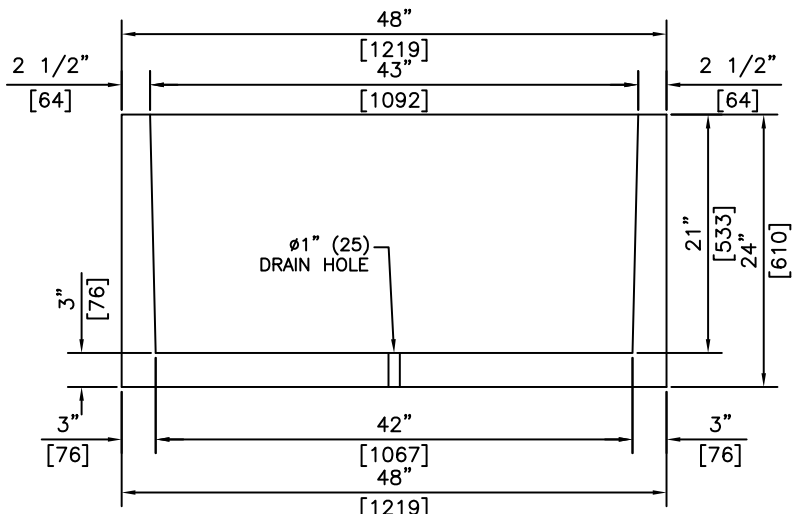
REVISED: MAR 22 2005

 <p><b>KON KAST</b> products (2005) Ltd. "Committed To Quality And Service"</p>	<p>3440 UNIVERSITY WAY KELOWNA B.C. V1V 1V9 PH: (250)765-1423 FX: (250)765-0820</p>	<p>BY: PKR</p>	<p><b>36" (914)</b> <b>SQUARE FLOWER</b> <b>BOX</b></p>	<p>ITEM NO.</p>
		<p>DATE: MAR 25 05</p>		<p><b>1750E24</b></p>
		<p>SCALE: NTS</p>		



**NOTE:**  
 2 -  $\phi 1/2"$  (13) INSERTS ARE LOCATED  
 ON INSIDE OF FLOWER POT FOR LIFTING

**ISOMETRIC**



**SECTION**

ITEM No.	DESCRIPTION
1755E12	POURED TO A 12" HEIGHT
1755E24	AS SHOWN
1755E36	POURED TO A 36" HEIGHT

**NOTES:**  
 1) 27.6MPa @ 28 DAYS

REVISED: MAR 22 2005

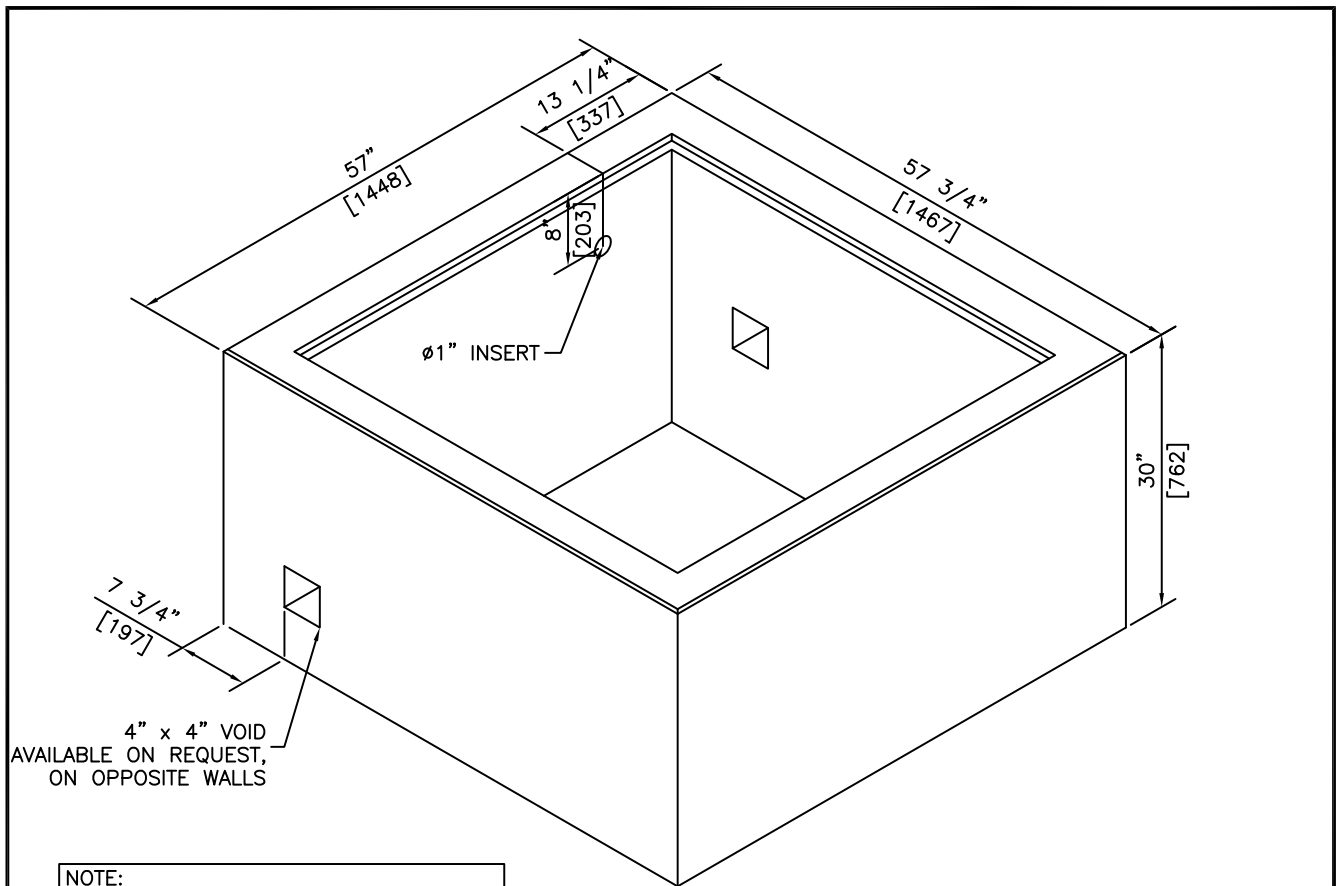
**KON KAST**  
 products (2005) Ltd.  
 "Committed To Quality And Service"

3440 UNIVERSITY WAY  
 KELOWNA B.C.  
 V1V 1V9  
 PH: (250)765-1423  
 FX: (250)765-0820

BY: PKR  
 DATE: MAR 25 05  
 SCALE: NTS

**48" (1219)**  
**SQUARE FLOWER**  
**BOX**

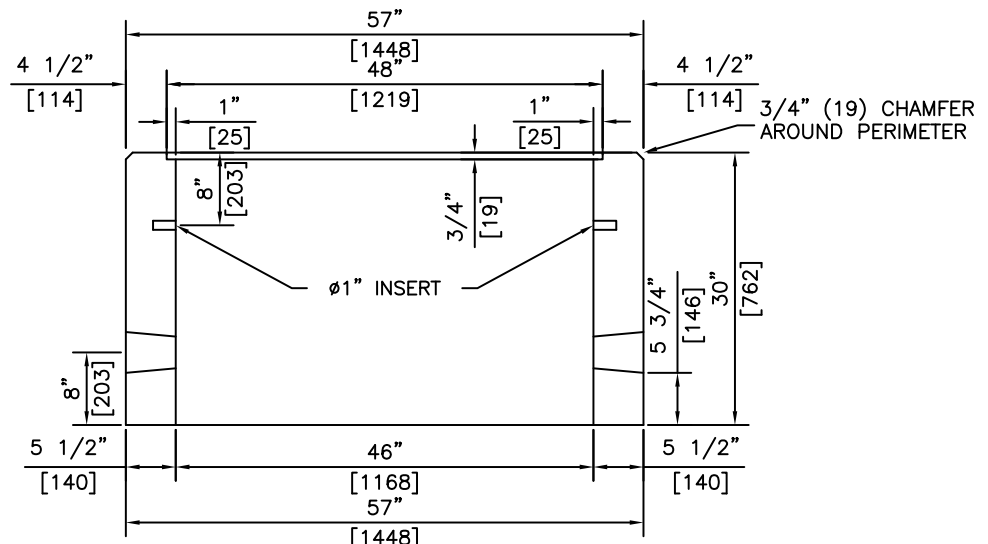
ITEM NO.  
**1755E24**



4" x 4" VOID  
AVAILABLE ON REQUEST,  
ON OPPOSITE WALLS

**NOTE:**  
2 -  $\phi 1"$  (25) INSERTS ARE LOCATED  
ON INSIDE OF FLOWER POT FOR LIFTING

**ISOMETRIC**




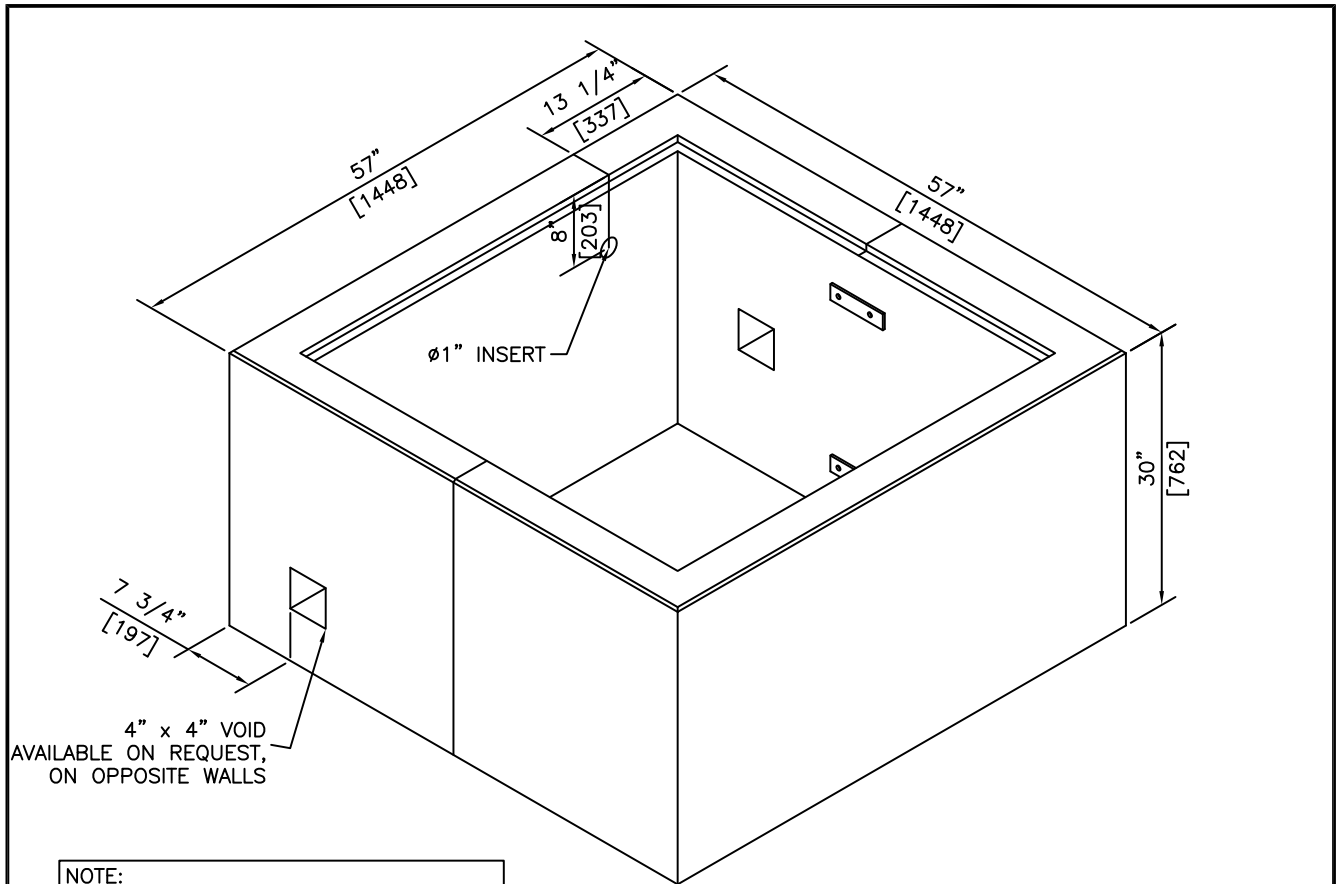
**SECTION**

**NOTES:**  
1) 27.6MPa @ 28 DAYS

ITEM No.	DESCRIPTION
1756P	AS SHOWN
1756E	AS SHOWN WITH EXPOSED AGG. FINISH

REVISED: MAR 22 2005

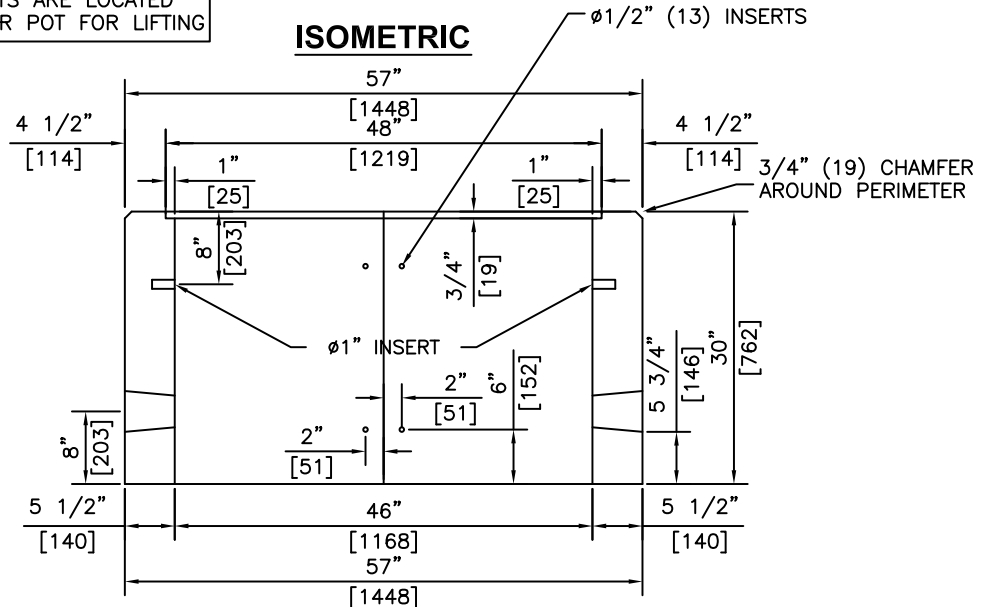
 <p><b>KON KAST</b> products (2005) Ltd. "Committed To Quality And Service"</p>	<p>3440 UNIVERSITY WAY KELOWNA B.C. V1V 1V9 PH: (250)765-1423 FX: (250)765-0820</p>	<p>BY: PKR</p>	<p><b>58" (1467)</b> <b>SQUARE FLOWER</b> <b>BOX</b></p>	<p>ITEM NO.</p>
		<p>DATE: MAR 25 05</p>		<p><b>1756P</b></p>
		<p>SCALE: NTS</p>		



4" x 4" VOID  
AVAILABLE ON REQUEST,  
ON OPPOSITE WALLS

**NOTE:**  
4 -  $\phi 1"$  (25) INSERTS ARE LOCATED  
ON INSIDE OF FLOWER POT FOR LIFTING

**ISOMETRIC**



**SECTION**

**NOTES:**  
1) 27.6MPa @ 28 DAYS

ITEM No.	DESCRIPTION
1756P	AS SHOWN
1756E	AS SHOWN WITH EXPOSED AGG. FINISH

REVISED: MAR 22 2005



**KON KAST**

products (2005) Ltd.  
"Committed To Quality And Service"

3440 UNIVERSITY WAY  
KELOWNA B.C.  
V1V 1V9  
PH: (250)765-1423  
FX: (250)765-0820

BY: PKR

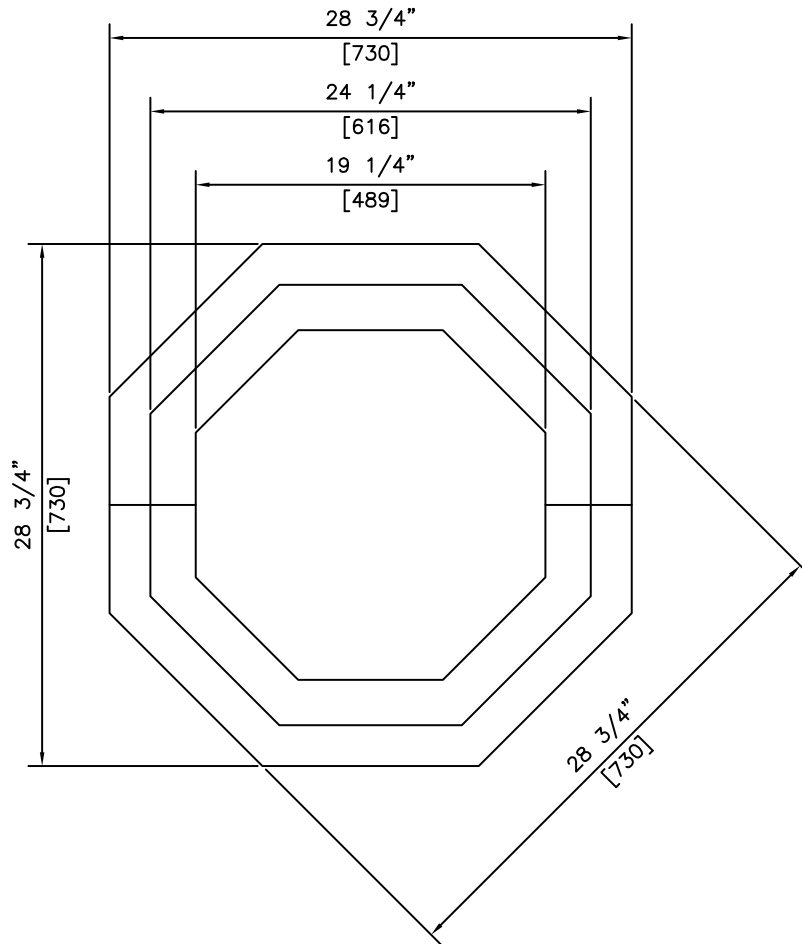
DATE: MAR 25 05

SCALE: NTS

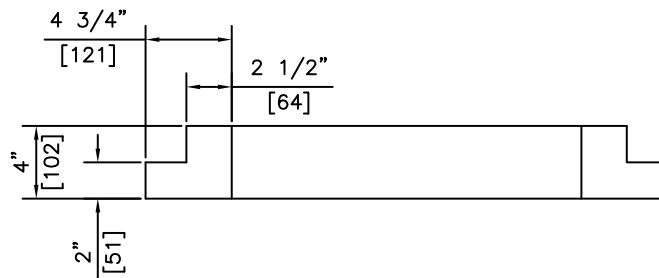
**58" (1467)**  
**SPLIT SQUARE**  
**FLOWER BOX**

ITEM NO.

**1756PS**



**SECTION**



**SECTION**

**NOTES:**

1) 27.6MPa @ 28 DAYS

REVISED: MAR 23 2005



**KON KAST**

products (2005) Ltd.  
"Committed To Quality And Service"

3440 UNIVERSITY WAY  
KELOWNA B.C.  
V1V 1V9  
PH: (250)765-1423  
FX: (250)765-0820

BY: PKR

DATE: MAR 23 05

SCALE: NTS

**TREE GUARD**

ITEM NO.

**1760**