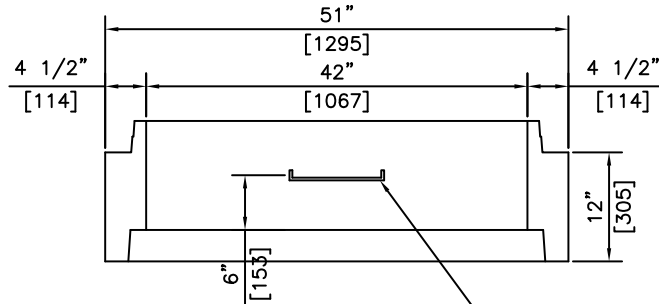


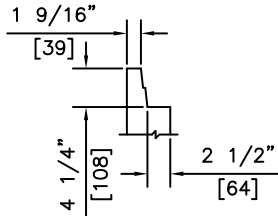
ISOMETRIC

NOTE:
c/w 2-3 3/8" LIFTING
ANCHORS FOR HANDLING



ELEVATION

ALUMINUM LADDER RUNG
MSU MODEL #350
4" (102) FROM WALL
AT POINT OF EMBEDMENT



DETAIL

NOTES:

- 1) MEETS OR EXCEEDS ASTM C478
- 2) 27.6 MPa @ 28 DAYS
- 3) MEETS H-20 LOADING

REVISED: JAN 8 2008



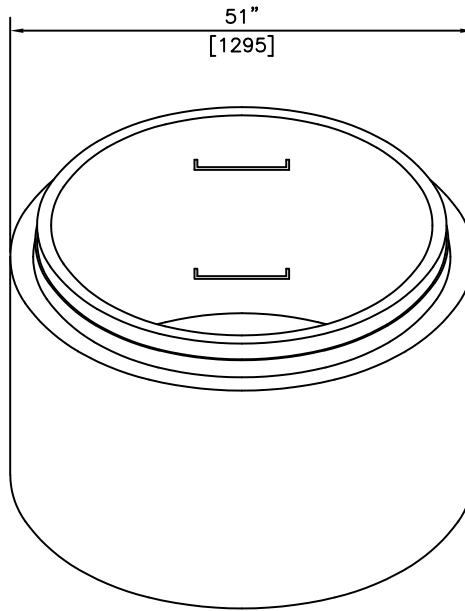
KON KAST
products (2005) Ltd.
"Committed To Quality And Service"

3440 UNIVERSITY WAY
KELOWNA B.C.
V1V 1V9
PH: (250)765-1423
FX: (250)765-0820

BY: PKR
DATE: FEB 4 05
SCALE: NTS

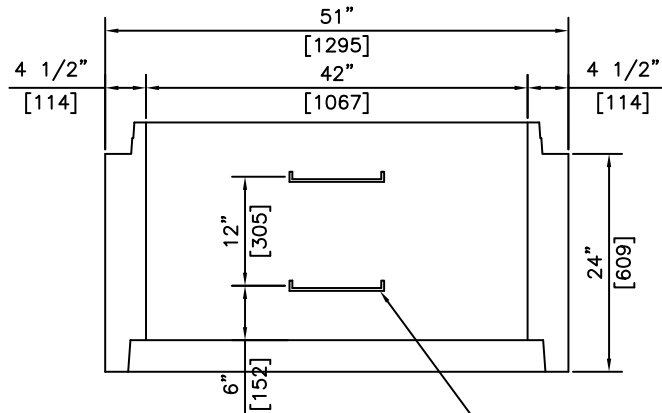
42" (1050) I.D.
x 12" (305) HEIGHT
MANHOLE BARREL

ITEM NO.
701



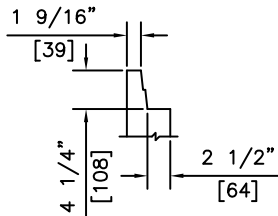
ISOMETRIC

NOTE:
c/w 2-3 3/8" LIFTING
ANCHORS FOR HANDLING



ELEVATION

ALUMINUM LADDER RUNG
MSU MODEL #350
4" (102) FROM WALL
AT POINT OF EMBEDMENT



DETAIL

NOTES:

- 1) MEETS OR EXCEEDS ASTM C478
- 2) 27.6 MPa @ 28 DAYS
- 3) MEETS H-20 LOADING

REVISED: JAN 8 2008



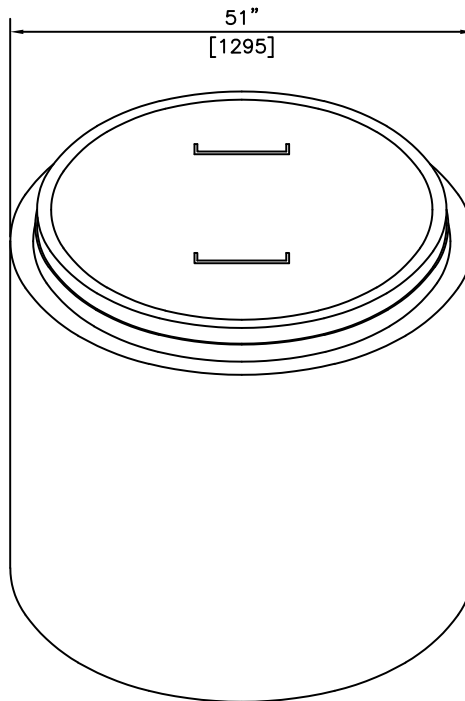
KON KAST
products (2005) Ltd.
"Committed To Quality And Service"

3440 UNIVERSITY WAY
KELOWNA B.C.
V1V 1V9
PH: (250)765-1423
FX: (250)765-0820

BY: PKR
DATE: FEB 4 05
SCALE: NTS

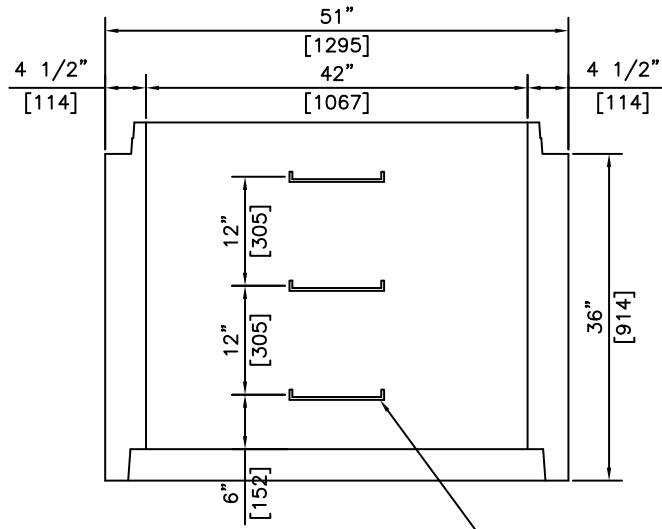
42" (1050) I.D.
x 24" (610) HEIGHT
MANHOLE BARREL

ITEM NO.
702



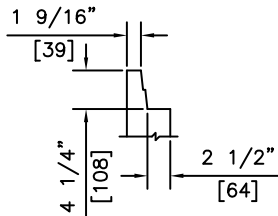
ISOMETRIC

NOTE:
c/w 2-3 3/8" LIFTING
ANCHORS FOR HANDLING



ELEVATION

ALUMINUM LADDER RUNG
MSU MODEL #350
4" (102) FROM WALL
AT POINT OF EMBEDMENT




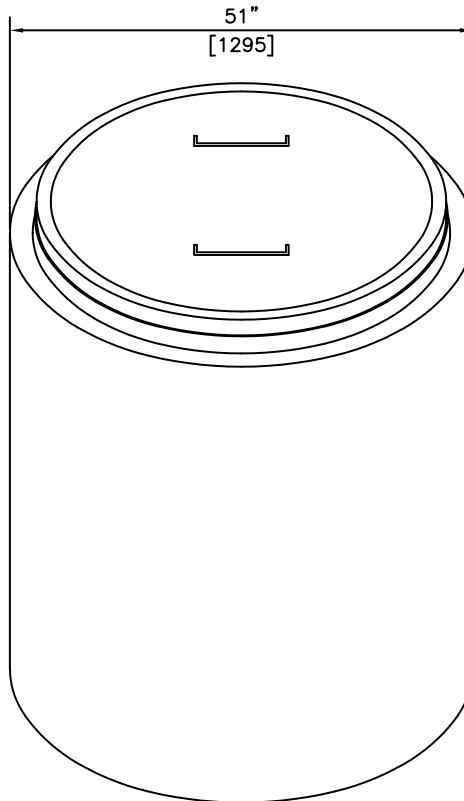
DETAIL

NOTES:

- 1) MEETS OR EXCEEDS ASTM C478
- 2) 27.6 MPa @ 28 DAYS
- 3) MEETS H-20 LOADING

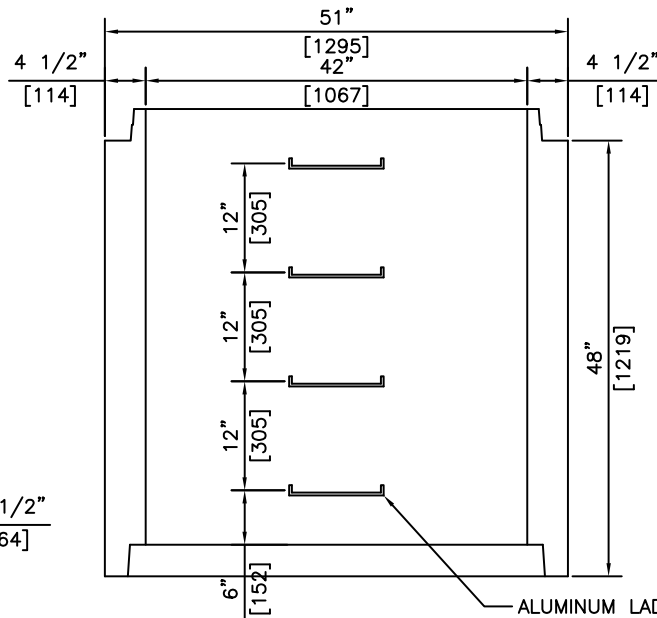
REVISED: JAN 8 2008

 KON KAST products (2005) Ltd. "Committed To Quality And Service"	3440 UNIVERSITY WAY KELOWNA B.C. V1V 1V9 PH: (250)765-1423 FX: (250)765-0820	BY: PKR DATE: MAR 6 2006 SCALE: NTS	42" (1050) I.D. x 36" (915) HEIGHT MANHOLE BARREL	ITEM NO. 703



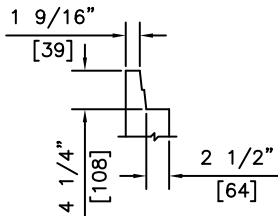
ISOMETRIC

NOTE:
c/w 2-3 3/8" LIFTING
ANCHORS FOR HANDLING



ELEVATION

ALUMINUM LADDER RUNG
MSU MODEL #350
4" (102) FROM WALL
AT POINT OF EMBEDMENT




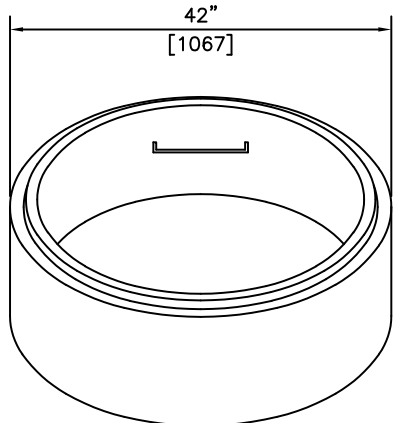
DETAIL

NOTES:

- 1) MEETS OR EXCEEDS ASTM C478
- 2) 27.6 MPa @ 28 DAYS
- 3) MEETS H-20 LOADING

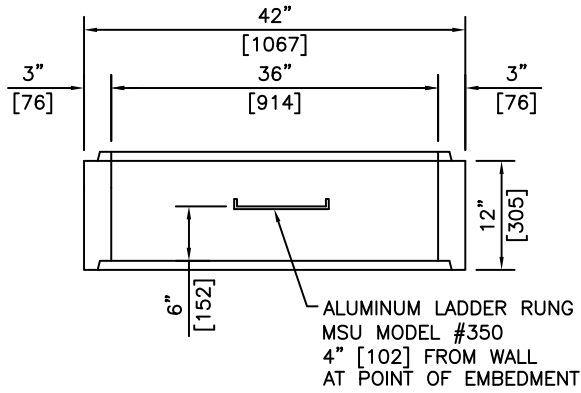
REVISED: JAN 8 2008

 <p>KON KAST products (2005) Ltd. "Committed To Quality And Service"</p>	<p>3440 UNIVERSITY WAY KELOWNA B.C. V1V 1V9 PH: (250)765-1423 FX: (250)765-0820</p>	<p>BY: PKR</p>	<p>42" (1050) I.D. x 48" (1219) HEIGHT MANHOLE BARREL</p>	<p>ITEM NO.</p>
		<p>DATE: FEB 4 05</p>		<p>704</p>
		<p>SCALE: NTS</p>		

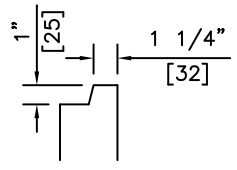


ISOMETRIC

NOTE:
c/w 2-2 3/16" LIFTING
ANCHORS FOR HANDLING



SECTION




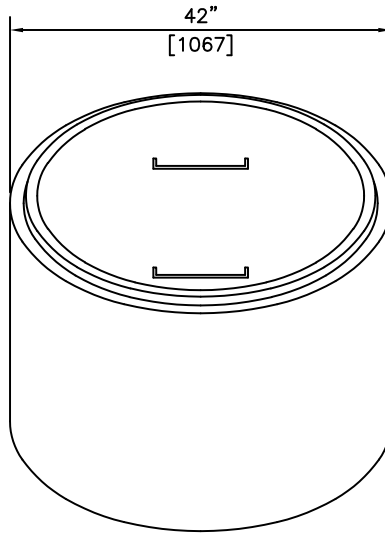
DETAIL

NOTES:

- 1) MEETS OR EXCEEDS ASTM C478
- 2) 27.6 MPa @ 28 DAYS
- 3) MEETS H-20 LOADING

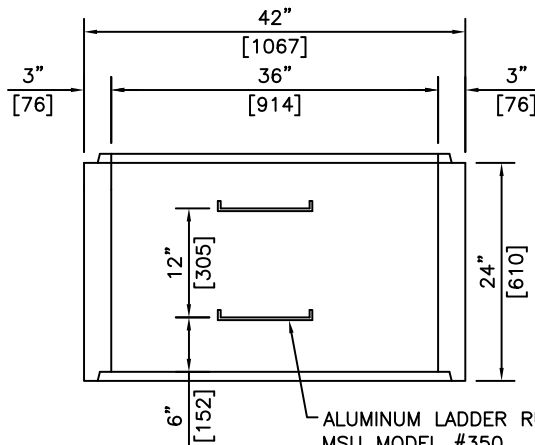
REVISED: JAN 8 2008

 <p>KON KAST products (2005) Ltd. "Committed To Quality And Service"</p>	<p>3440 UNIVERSITY WAY KELOWNA B.C. V1V 1V9 PH: (250)765-1423 FX: (250)765-0820</p>	<p>BY: PKR</p>	<p>36" (900) I.D. MANHOLE BARREL x 12" (305) HEIGHT</p>	<p>ITEM NO.</p>
		<p>DATE: FEB 7 05</p>		<p>711</p>
		<p>SCALE: NTS</p>		



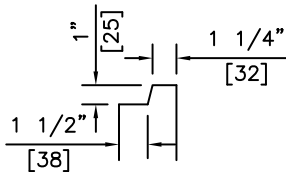
ISOMETRIC

NOTE:
c/w 2-2 3/16" LIFTING
ANCHORS FOR HANDLING



ALUMINUM LADDER RUNG
MSU MODEL #350
4" [102] FROM WALL
AT POINT OF EMBEDMENT

SECTION



DETAIL

NOTES:

- 1) MEETS OR EXCEEDS ASTM C478
- 2) 27.6 MPa @ 28 DAYS
- 3) MEETS H-20 LOADING

REVISED: JAN 8 2008



KON KAST
products (2005) Ltd.

"Committed To Quality And Service"

3440 UNIVERSITY WAY
KELOWNA B.C.
V1V 1V9
PH: (250)765-1423
FX: (250)765-0820

BY: PKR

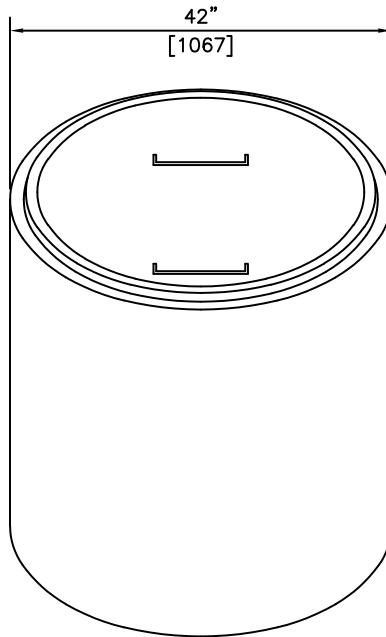
DATE: FEB 7 05

SCALE: NTS

**36" (900) I.D.
MANHOLE BARREL
x 24" (610) HEIGHT**

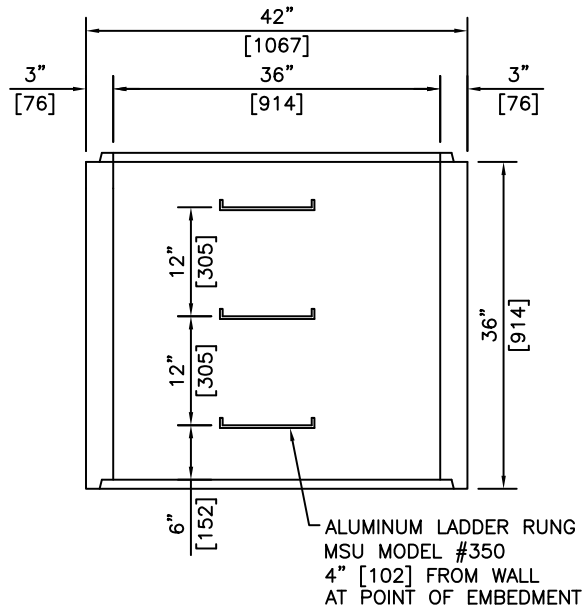
ITEM NO.

712



ISOMETRIC

NOTE:
c/w 2-2 3/16" LIFTING
ANCHORS FOR HANDLING



SECTION

DETAIL

ALUMINUM LADDER RUNG
MSU MODEL #350
4" [102] FROM WALL
AT POINT OF EMBEDMENT

NOTES:

- 1) MEETS OR EXCEEDS ASTM C478
- 2) 27.6 MPa @ 28 DAYS
- 3) MEETS H-20 LOADING

REVISED: JAN 8 2008



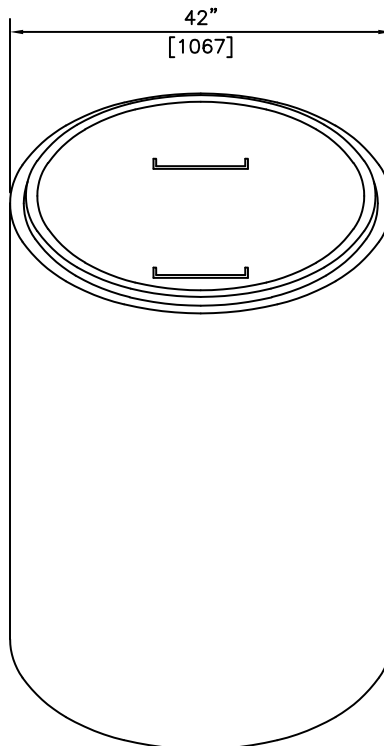
KON KAST
products (2005) Ltd.
"Committed To Quality And Service"

3440 UNIVERSITY WAY
KELOWNA B.C.
V1V 1V9
PH: (250)765-1423
FX: (250)765-0820

BY: PKR
DATE: FEB 7 05
SCALE: NTS

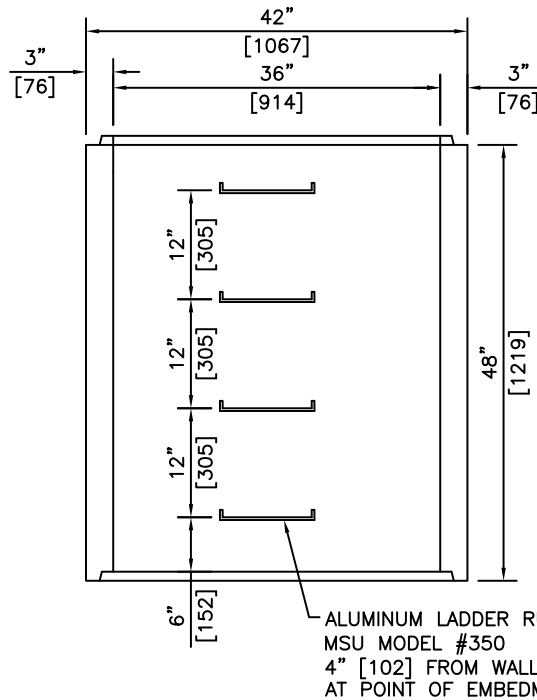
**36" (900) I.D.
MANHOLE BARREL
x 36" (914) HEIGHT**

ITEM NO.
713

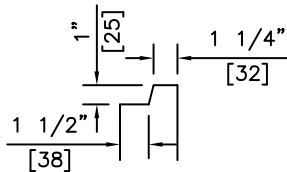


NOTE:
c/w 2-2 3/16" LIFTING
ANCHORS FOR HANDLING

ISOMETRIC



SECTION



DETAIL

NOTES:

- 1) MEETS OR EXCEEDS ASTM C478
- 2) 27.6 MPa @ 28 DAYS
- 3) MEETS H-20 LOADING

REVISED: JAN 8 2008



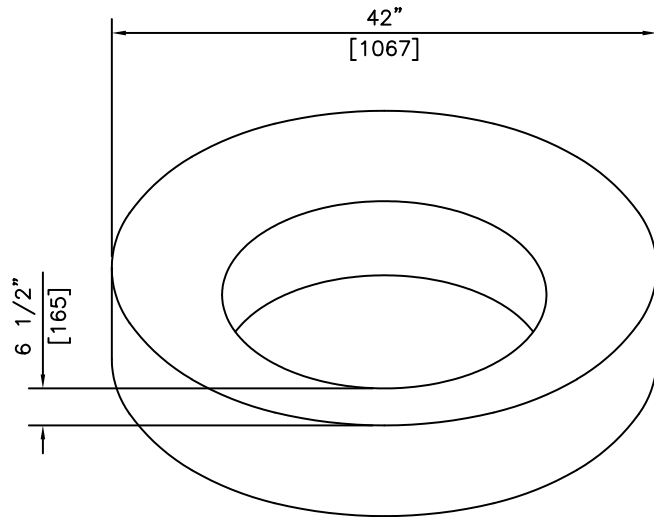
KON KAST
products (2005) Ltd.
"Committed To Quality And Service"

3440 UNIVERSITY WAY
KELOWNA B.C.
V1V 1V9
PH: (250)765-1423
FX: (250)765-0820

BY: PKR
DATE: JAN 8 2008
SCALE: NTS

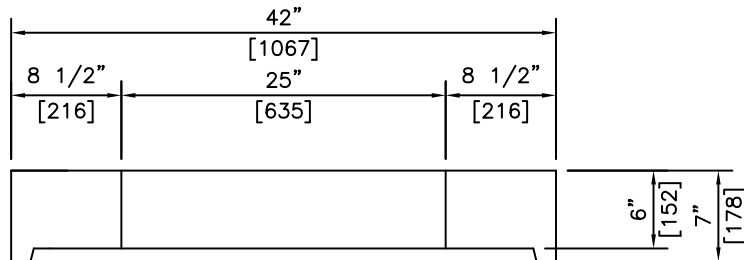
**36" (900) I.D.
MANHOLE BARREL
x 48" (1219) HEIGHT**

ITEM NO.
714

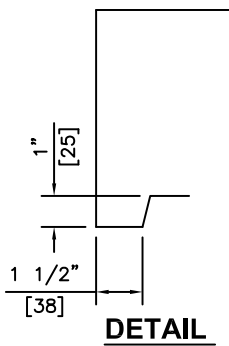


ISOMETRIC

NOTE:
c/w 3-3 3/8" LIFTING
ANCHORS FOR HANDLING



SECTION




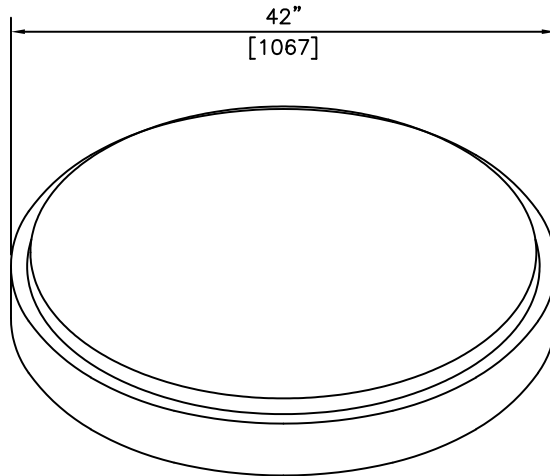
DETAIL

NOTES:

- 1) MEETS OR EXCEEDS ASTM C478
- 2) 27.6 MPa @ 28 DAYS
- 3) MEETS H-20 LOADING

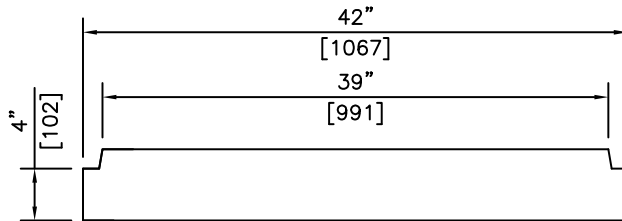
REVISED: JAN 8 2008

 KON KAST products (2005) Ltd. "Committed To Quality And Service"	3440 UNIVERSITY WAY KELOWNA B.C. V1V 1V9 PH: (250)765-1423 FX: (250)765-0820	BY: PKR	42" (1067) O.D. LID Ø 25" (635) OPENING FOR 36" (900) BARREL	ITEM NO.
		DATE: FEB 7 05		715
		SCALE: NTS		

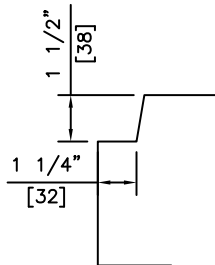


ISOMETRIC

NOTE:
c/w 3-3 3/8" LIFTING
ANCHORS FOR HANDLING



SECTION



DETAIL

NOTES:

- 1) MEETS OR EXCEEDS ASTM C478
- 2) 27.6 MPa @ 28 DAYS
- 3) MEETS H-20 LOADING

REVISED: JAN 8 2008



KON KAST
products (2005) Ltd.

"Committed To Quality And Service"

3440 UNIVERSITY WAY
KELOWNA B.C.
V1V 1V9
PH: (250)765-1423
FX: (250)765-0820

BY: PKR

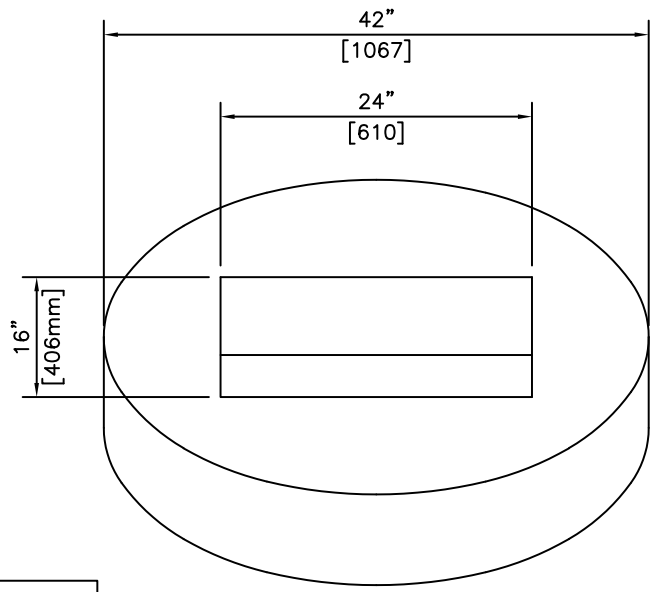
DATE: FEB 7 05

SCALE: NTS

42" (1067) O.D.
BASE FOR
36" (900) BARREL

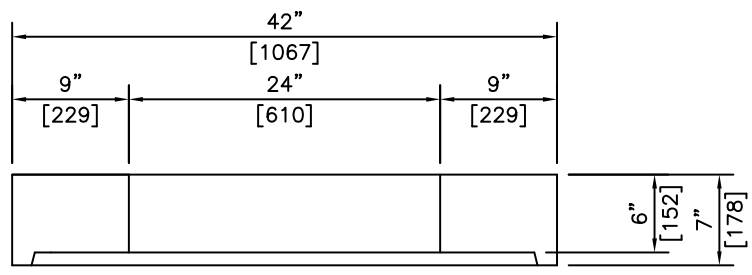
ITEM NO.

716

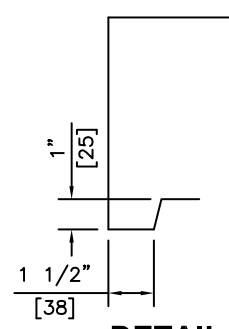


NOTE:
c/w 3-3 3/8" LIFTING
ANCHORS FOR HANDLING

ISOMETRIC




SECTION

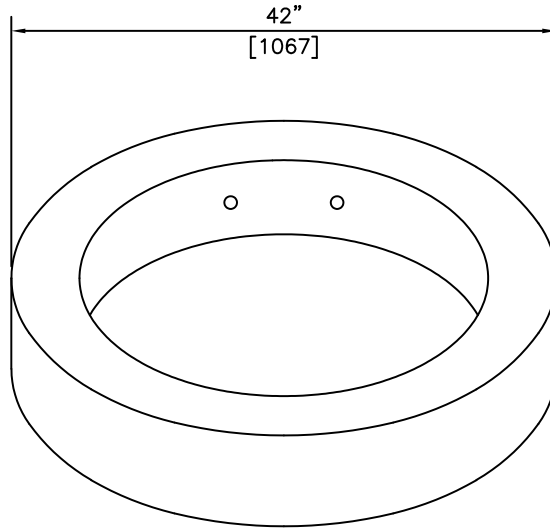


DETAIL

- NOTES:**
- 1) MEETS OR EXCEEDS ASTM C478
 - 2) 27.6 MPa @ 28 DAYS
 - 3) MEETS H-20 LOADING

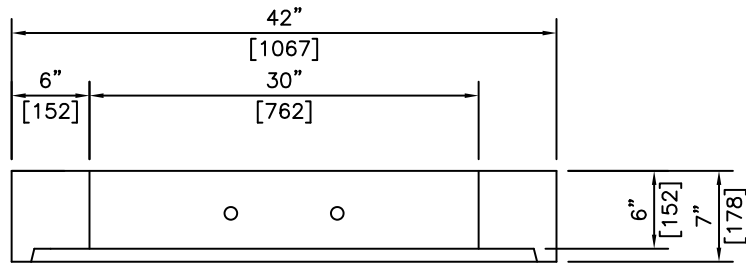
REVISED: JAN 8 2008

 KON KAST products (2005) Ltd. "Committed To Quality And Service"	3440 UNIVERSITY WAY KELOWNA B.C. V1V 1V9 PH: (250)765-1423 FX: (250)765-0820	BY: PKR DATE: FEB 7 05 SCALE: NTS	42" (1067) O.D. LID HWYS OPENING FOR 36" (900) BARREL	ITEM NO. 717

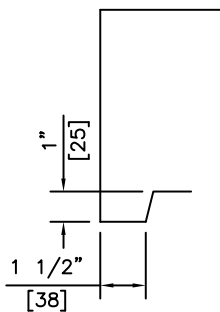


ISOMETRIC

NOTE:
c/w 3-3 3/8" LIFTING
ANCHORS FOR HANDLING



SECTION



DETAIL

NOTES:

- 1) MEETS OR EXCEEDS ASTM C478
- 2) 27.6 MPa @ 28 DAYS
- 3) MEETS H-20 LOADING

REVISED: JAN 8 2008



KON KAST
products (2005) Ltd.
"Committed To Quality And Service"

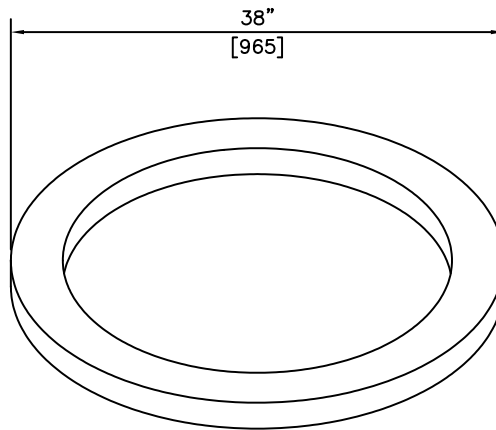
3440 UNIVERSITY WAY
KELOWNA B.C.
V1V 1V9
PH: (250)765-1423
FX: (250)765-0820

BY: PKR
DATE: FEB 7 05
SCALE: NTS

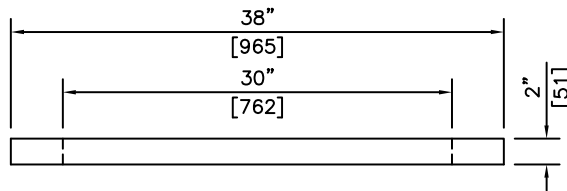
42" (1067) O.D. LID
30" (762) OPENING FOR
36" (900) BARREL

ITEM NO.

718



ISOMETRIC



SECTION

NOTES:

- 1) MEETS OR EXCEEDS ASTM C478
- 2) 27.6 MPa @ 28 DAYS
- 3) MEETS H-20 LOADING

REVISED: FEB 7 2005



KON KAST
products (2005) Ltd.

"Committed To Quality And Service"

3440 UNIVERSITY WAY
KELOWNA B.C.
V1V 1V9
PH: (250)765-1423
FX: (250)765-0820

BY: PKR

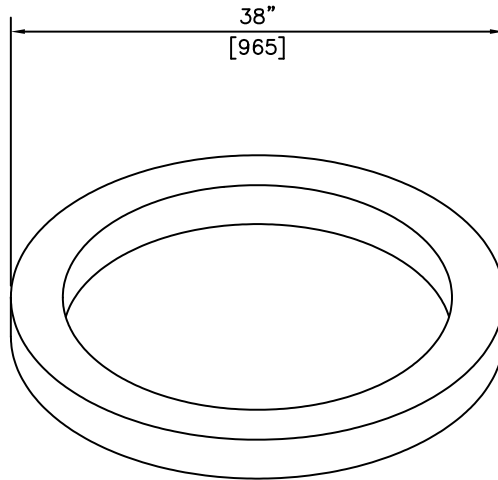
DATE: FEB 7 05

SCALE: NTS

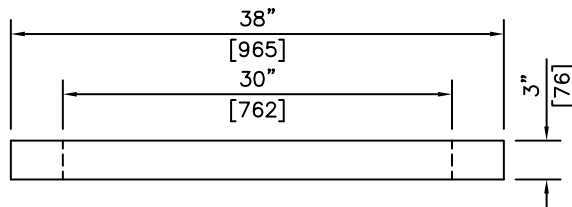
2" (51) THICK
30" (762) OPENING
GRADE RING

ITEM NO.

720



ISOMETRIC



SECTION

NOTES:

- 1) MEETS OR EXCEEDS ASTM C478
- 2) 27.6 MPa @ 28 DAYS
- 3) MEETS H-20 LOADING

REVISED: FEB 7 2005



KON KAST

products (2005) Ltd.
"Committed To Quality And Service"

3440 UNIVERSITY WAY
KELOWNA B.C.
V1V 1V9
PH: (250)765-1423
FX: (250)765-0820

BY: PKR

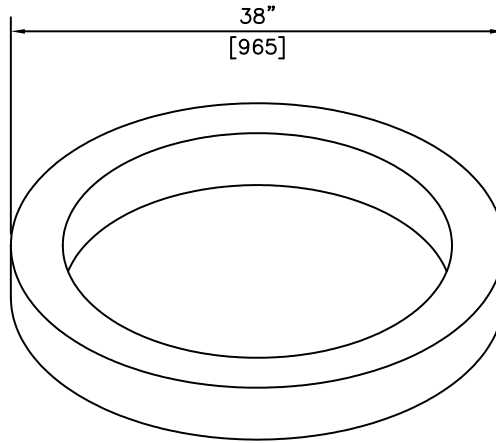
DATE: FEB 7 05

SCALE: NTS

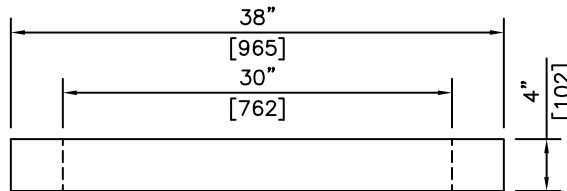
**3" (76) THICK
30" (762) OPENING
GRADE RING**

ITEM NO.

721



ISOMETRIC



SECTION

NOTES:

- 1) MEETS OR EXCEEDS ASTM C478
- 2) 27.6 MPa @ 28 DAYS
- 3) MEETS H-20 LOADING

REVISED: FEB 7 2005



KON KAST

products (2005) Ltd.
"Committed To Quality And Service"

3440 UNIVERSITY WAY
KELOWNA B.C.
V1V 1V9
PH: (250)765-1423
FX: (250)765-0820

BY: PKR

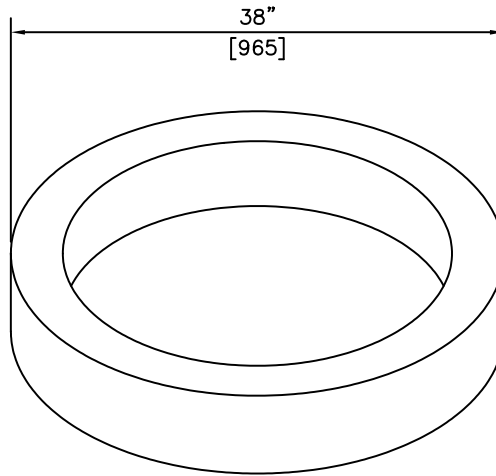
DATE: FEB 7 05

SCALE: NTS

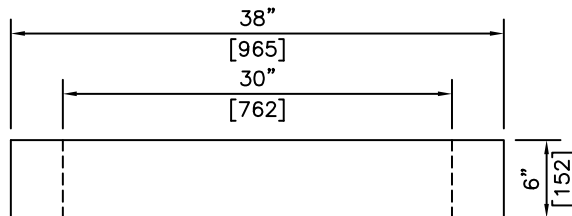
**4" (102) THICK
30" (762) OPENING
GRADE RING**

ITEM NO.

722



ISOMETRIC




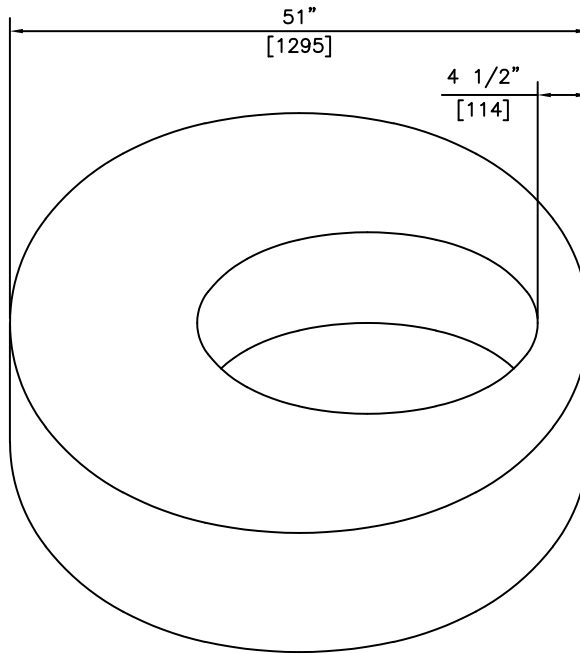
SECTION

NOTES:

- 1) MEETS OR EXCEEDS ASTM C478
- 2) 27.6 MPa @ 28 DAYS
- 3) MEETS H-20 LOADING

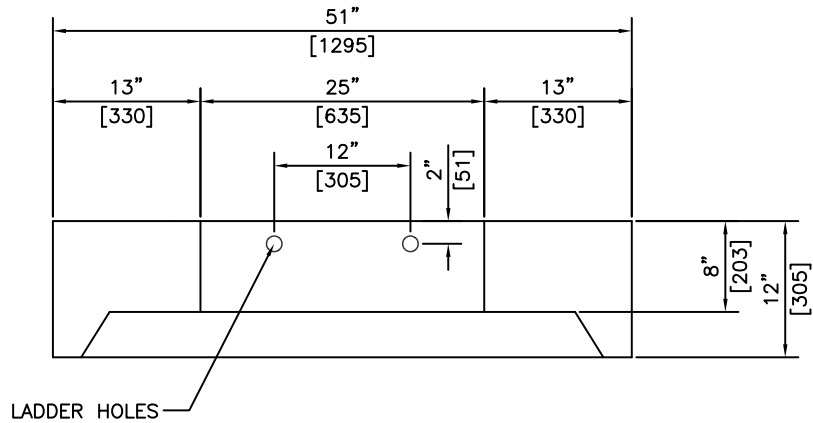
REVISED: FEB 7 2005

 KON KAST products (2005) Ltd. "Committed To Quality And Service"	3440 UNIVERSITY WAY KELOWNA B.C. V1V 1V9 PH: (250)765-1423 FX: (250)765-0820	BY: PKR	6" (152) THICK 30" (762) OPENING GRADE RING	ITEM NO.
		DATE: FEB 7 05		723
		SCALE: NTS		



NOTE:
c/w 3-3 3/8" LIFTING
ANCHORS FOR HANDLING

ISOMETRIC



SECTION

NOTES:

- 1) MEETS OR EXCEEDS ASTM C478
- 2) 27.6 MPa @ 28 DAYS
- 3) MEETS H-20 LOADING

REVISED: JAN 8 2008



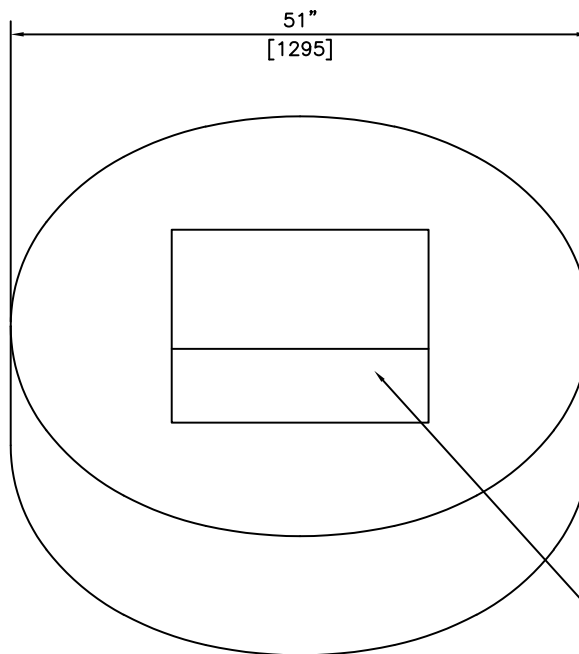
KON KAST
products (2005) Ltd.
"Committed To Quality And Service"

3440 UNIVERSITY WAY
KELOWNA B.C.
V1V 1V9
PH: (250)765-1423
FX: (250)765-0820

BY: PKR
DATE: FEB 7 05
SCALE: NTS

Ø51" (1295) O.D. LID
Ø25" (635) OPENING
FOR 42" (1050) BARREL

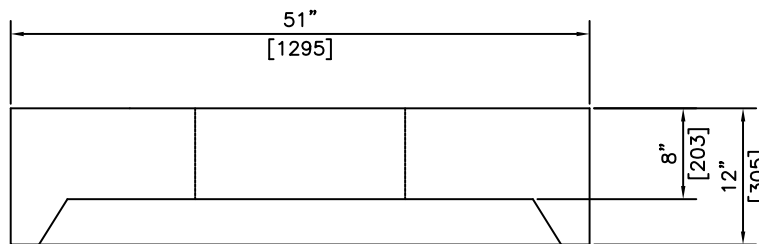
ITEM NO.
725



14 1/2" x 18 1/2"
[368 x 470] CB OPENING
CENTERED IN LID

ISOMETRIC

NOTE:
c/w 3-3 3/8" LIFTING
ANCHORS FOR HANDLING



SECTION

NOTES:

- 1) MEETS OR EXCEEDS ASTM C478
- 2) 27.6 MPa @ 28 DAYS
- 3) MEETS H-20 LOADING

REVISED: JAN 8 2008



KON KAST
products (2005) Ltd.

"Committed To Quality And Service"

3440 UNIVERSITY WAY
KELOWNA B.C.
V1V 1V9
PH: (250)765-1423
FX: (250)765-0820

BY: PKR

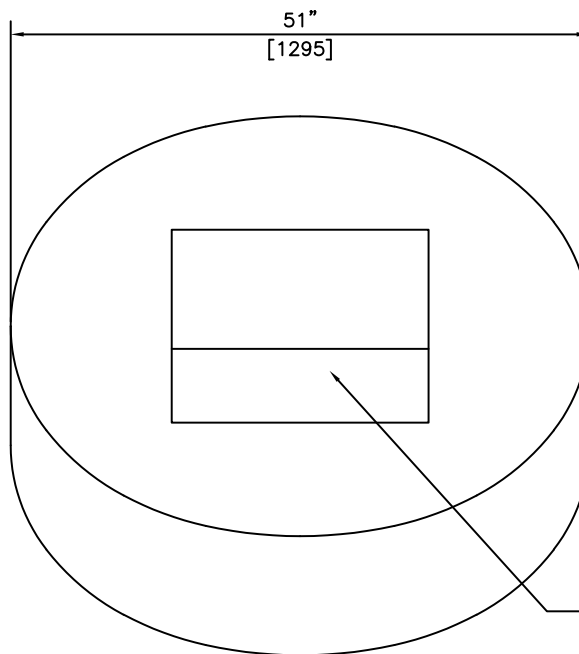
DATE: FEB 7 05

SCALE: NTS

51" (1295) O.D. LID
B37 OPENING FOR
42" (1050) BARREL

ITEM NO.

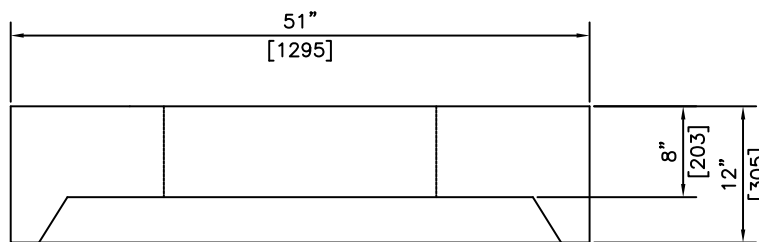
725CB



16" x 24" [406mm x 610mm]
CB OPENING CENTERED IN LID

NOTE:
c/w 3-3 3/8" LIFTING
ANCHORS FOR HANDLING

ISOMETRIC



SECTION

NOTES:

- 1) MEETS OR EXCEEDS ASTM C478
- 2) 27.6 MPa @ 28 DAYS
- 3) MEETS H-20 LOADING

REVISED: JAN 8 2008



KON KAST

products (2005) Ltd.
"Committed To Quality And Service"

3440 UNIVERSITY WAY
KELOWNA B.C.
V1V 1V9
PH: (250)765-1423
FX: (250)765-0820

BY: PKR

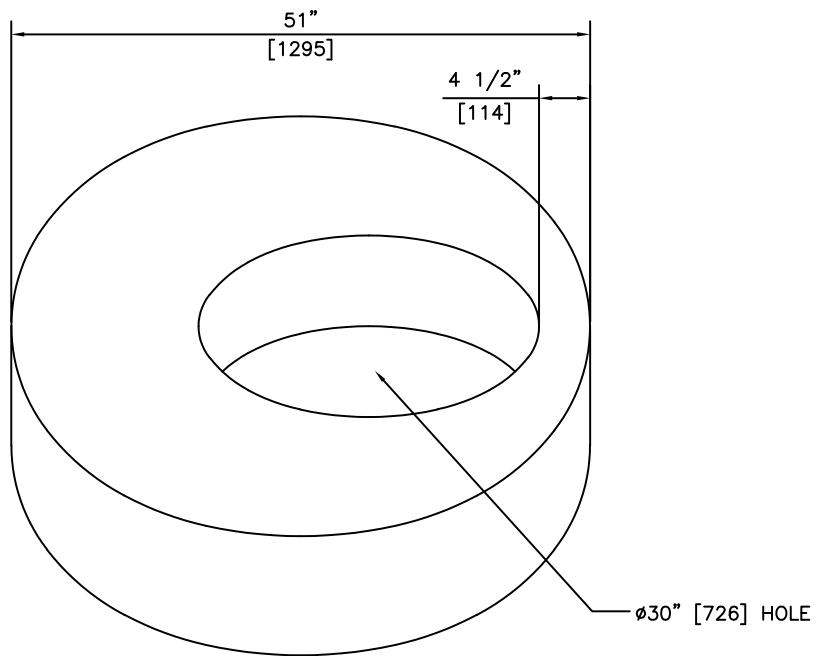
DATE: FEB 7 05

SCALE: NTS

**51" (1295) O.D. LID
HWYS OPENING FOR
42" (1050) BARREL**

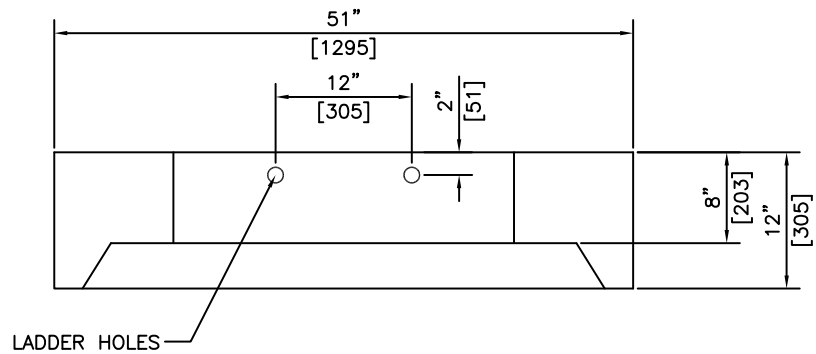
ITEM NO.

725CBH



ISOMETRIC

NOTE:
c/w 3-3 3/8" LIFTING
ANCHORS FOR HANDLING




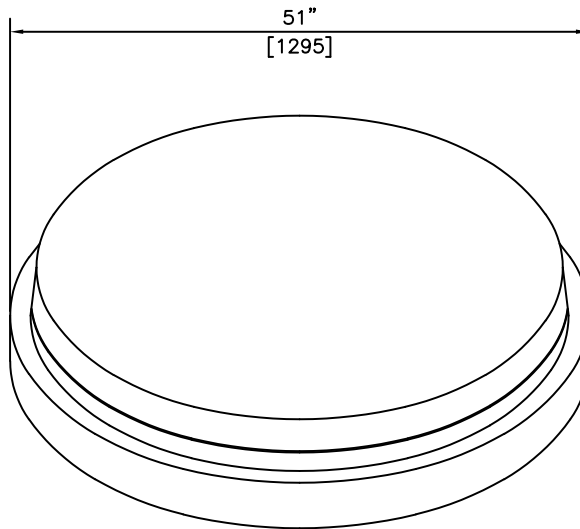
SECTION

NOTES:

- 1) MEETS OR EXCEEDS ASTM C478
- 2) 27.6 MPa @ 28 DAYS
- 3) MEETS H-20 LOADING

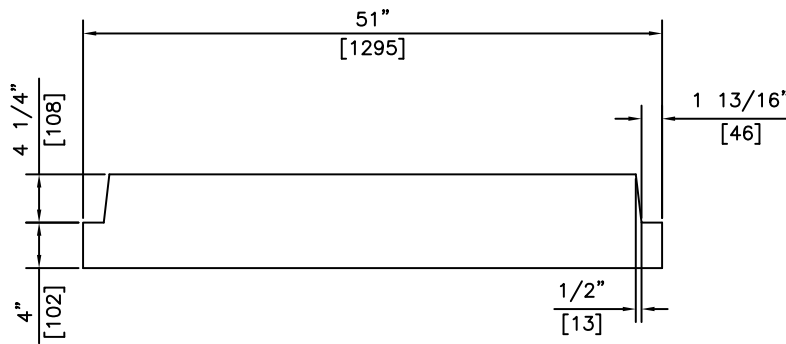
REVISED: SEP 13 2006

 <p>KON KAST products (2005) Ltd. "Committed To Quality And Service"</p>	<p>3440 UNIVERSITY WAY KELOWNA B.C. V1V 1V9 PH: (250)765-1423 FX: (250)765-0820</p>	BY: PKR	<p>Ø51" (1295) O.D. LID Ø30" (762) OPENING FOR 42" (1050) BARREL</p>	ITEM NO.
		DATE: FEB 7 05		<p>726</p>
		SCALE: NTS		



ISOMETRIC

NOTE:
c/w 3-3 3/8" LIFTING
ANCHORS FOR HANDLING



ELEVATION

NOTES:

- 1) MEETS OR EXCEEDS ASTM C478
- 2) 27.6 MPa @ 28 DAYS
- 3) MEETS H-20 LOADING

REVISED: JAN 8 2008



"Committed To Quality And Service"

KON KAST

products (2005) Ltd.

3440 UNIVERSITY WAY
KELOWNA B.C.
V1V 1V9

PH: (250)765-1423

FX: (250)765-0820

BY: PKR

DATE: FEB 7 05

SCALE: NTS

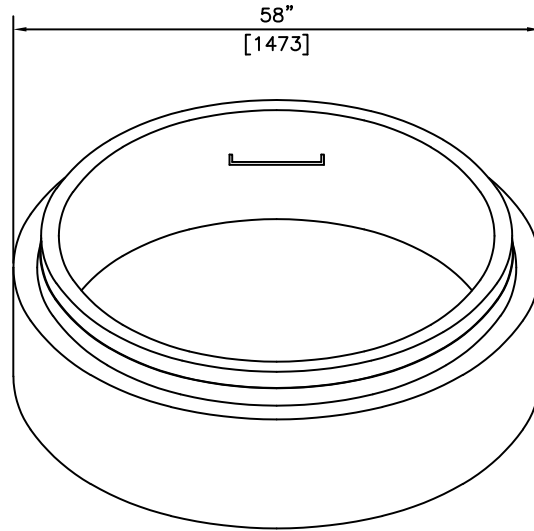
51" (1295) O.D.

BASE FOR

42" (1050) BARREL

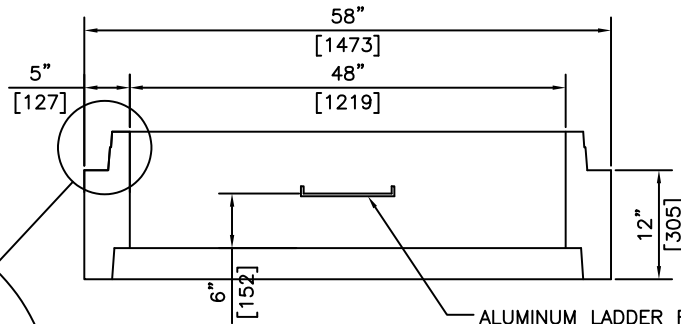
ITEM NO.

735



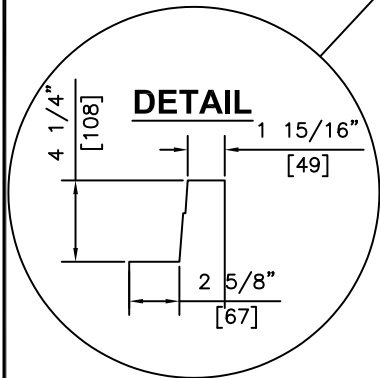
ISOMETRIC

NOTE:
c/w 2-3 3/8" LIFTING
ANCHORS FOR HANDLING



SECTION

ALUMINUM LADDER RUNG MSU MODEL #350
4" (102) FROM WALL AT POINT OF EMBEDMENT



DETAIL

NOTES:

- 1) MEETS OR EXCEEDS ASTM C-478
- 2) 27.6 MPa @ 28 DAYS
- 3) MEETS H-20 LOADING

REVISED: JAN 8 2008



KON KAST

products (2005) Ltd.
"Committed To Quality And Service"

3440 UNIVERSITY WAY
KELOWNA B.C.
V1V 1V9
PH: (250)765-1423
FX: (250)765-0820

BY: PKR

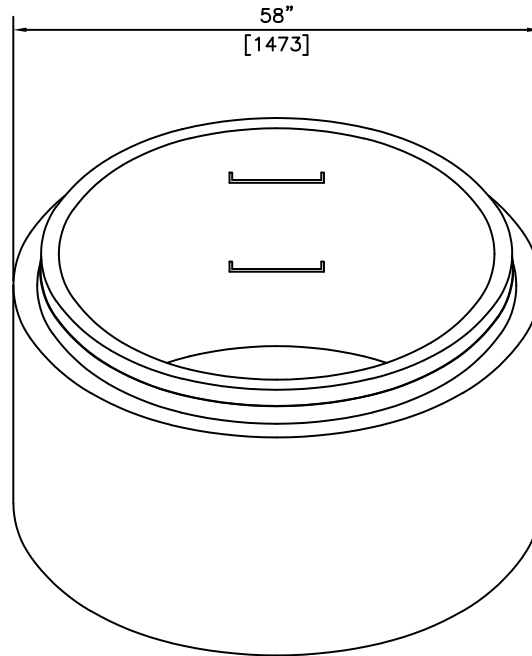
DATE: FEB 7 05

SCALE: NTS

48" (1200) I.D.
x 12" (305) HEIGHT
MANHOLE BARREL

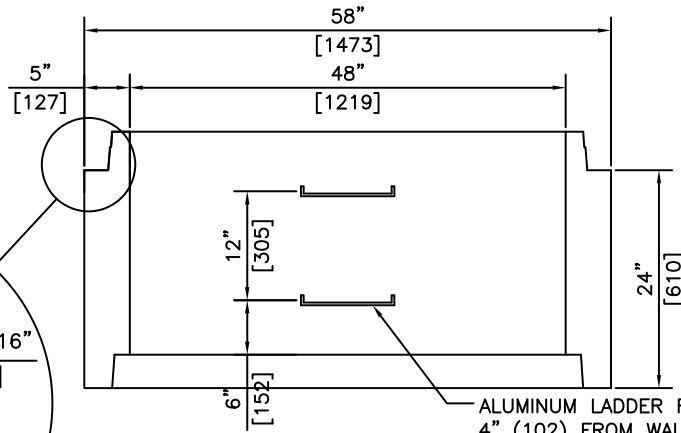
ITEM NO.

750



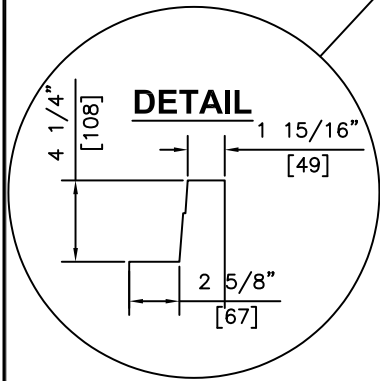
ISOMETRIC

NOTE:
c/w 2-3 3/8" LIFTING
ANCHORS FOR HANDLING



SECTION

ALUMINUM LADDER RUNG MSU MODEL #350
4" (102) FROM WALL AT POINT OF EMBEDMENT



NOTES:

- 1) MEETS OR EXCEEDS ASTM C-478
- 2) 27.6 MPa @ 28 DAYS
- 3) MEETS H-20 LOADING

REVISED: JAN 8 2008

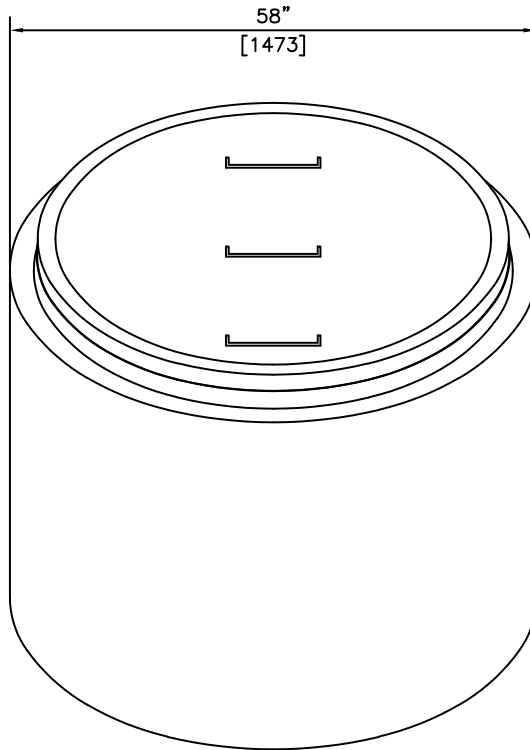
KON KAST
products (2005) Ltd.
"Committed To Quality And Service"

3440 UNIVERSITY WAY
KELOWNA B.C.
V1V 1V9
PH: (250)765-1423
FX: (250)765-0820

BY: PKR
DATE: FEB 7 05
SCALE: NTS

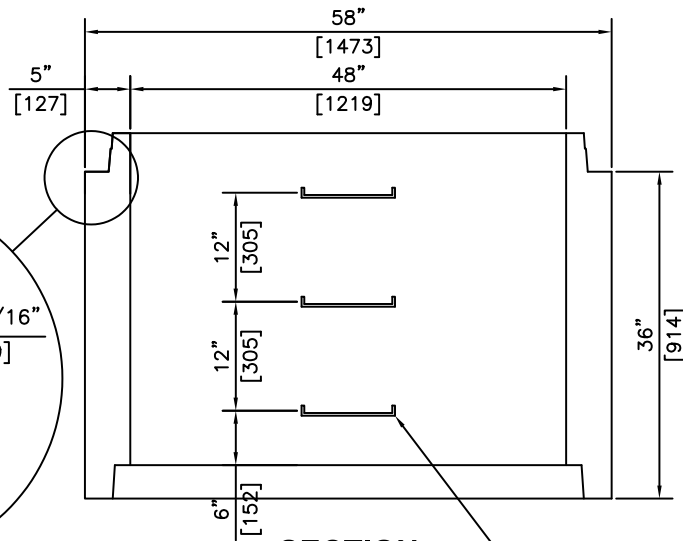
48" (1200) I.D.
x 24" (610) HEIGHT
MANHOLE BARREL

ITEM NO.
751



ISOMETRIC

NOTE:
c/w 2-3 3/8" LIFTING
ANCHORS FOR HANDLING



SECTION

ALUMINUM LADDER RUNG
MSU MODEL #350
4" (102) FROM WALL
AT POINT OF EMBEDMENT

NOTES:

- 1) MEETS OR EXCEEDS ASTM C-478
- 2) 27.6 MPa @ 28 DAYS
- 3) MEETS H-20 LOADING

REVISED: JAN 8 2008



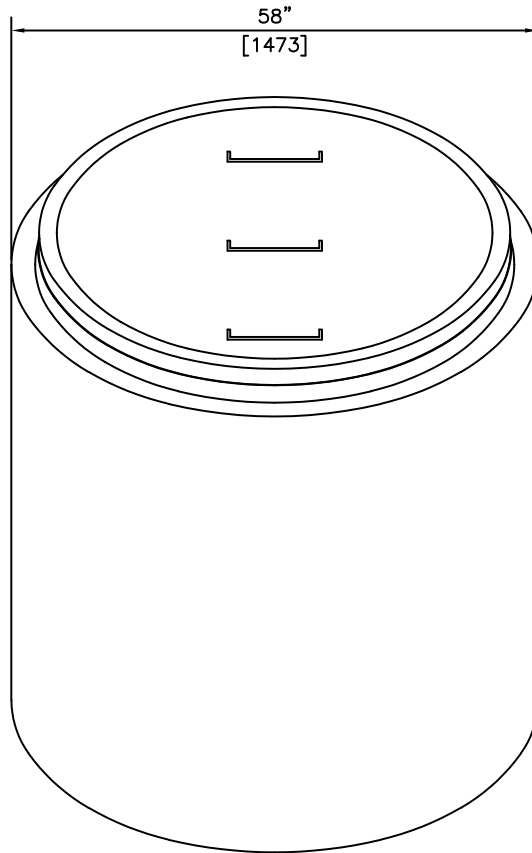
KON KAST
products (2005) Ltd.
"Committed To Quality And Service"

3440 UNIVERSITY WAY
KELOWNA B.C.
V1V 1V9
PH: (250)765-1423
FX: (250)765-0820

BY: PKR
DATE: FEB 7 05
SCALE: NTS

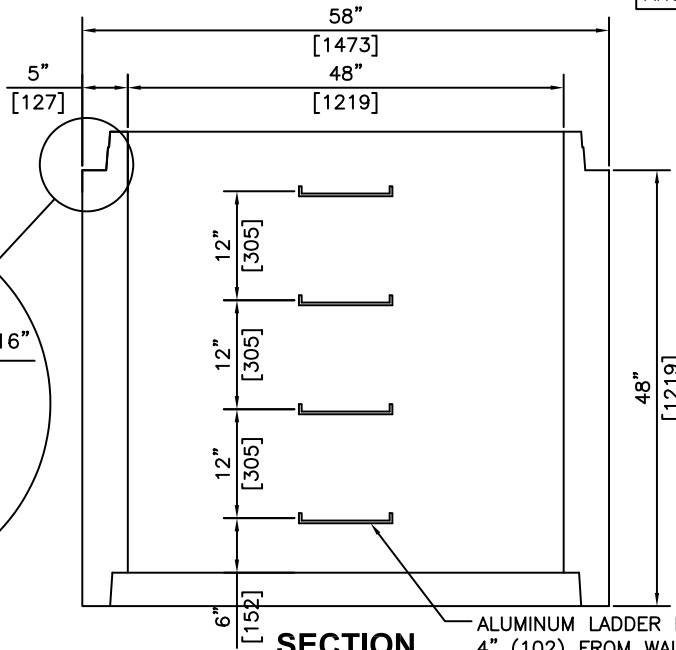
48" (1200) I.D.
x 36" (914) HEIGHT
MANHOLE BARREL

ITEM NO.
752



ISOMETRIC

NOTE:
c/w 2-3 3/8" LIFTING
ANCHORS FOR HANDLING



SECTION

ALUMINUM LADDER RUNG MSU MODEL #350
4" (102) FROM WALL AT POINT OF EMBEDMENT

NOTES:

- 1) MEETS OR EXCEEDS ASTM C-478
- 2) 27.6 MPa @ 28 DAYS
- 3) MEETS H-20 LOADING

REVISED: JAN 8 2008



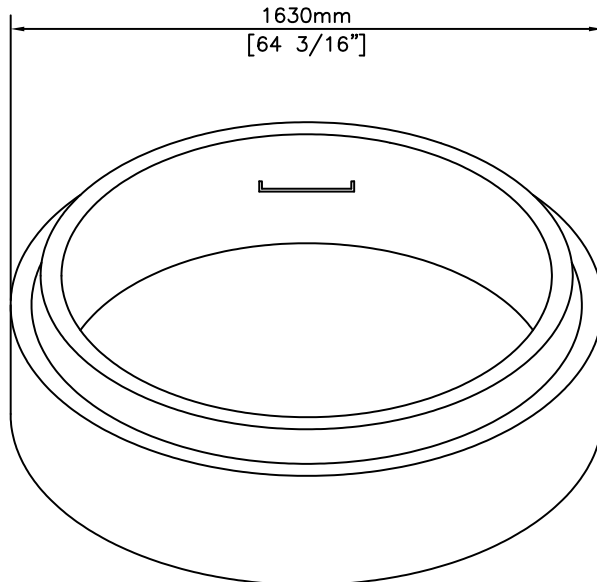
KON KAST
products (2005) Ltd.
"Committed To Quality And Service"

3440 UNIVERSITY WAY
KELOWNA B.C.
V1V 1V9
PH: (250)765-1423
FX: (250)765-0820

BY: PKR
DATE: FEB 7 05
SCALE: NTS

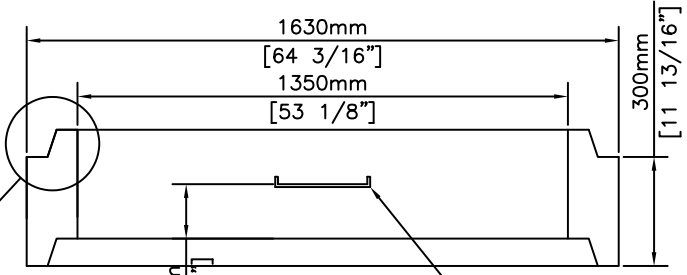
48" (1200) I.D.
x 48" (1219) HEIGHT
MANHOLE BARREL

ITEM NO.
753



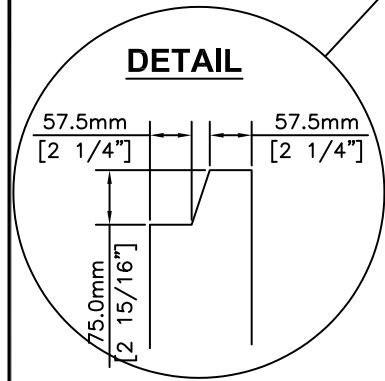
ISOMETRIC

NOTE:
c/w 2-3 3/8" LIFTING
ANCHORS FOR HANDLING



ELEVATION

ALUMINUM LADDER RUNG
MSU MODEL #350
102mm (4") FROM WALL
AT POINT OF EMBEDMENT




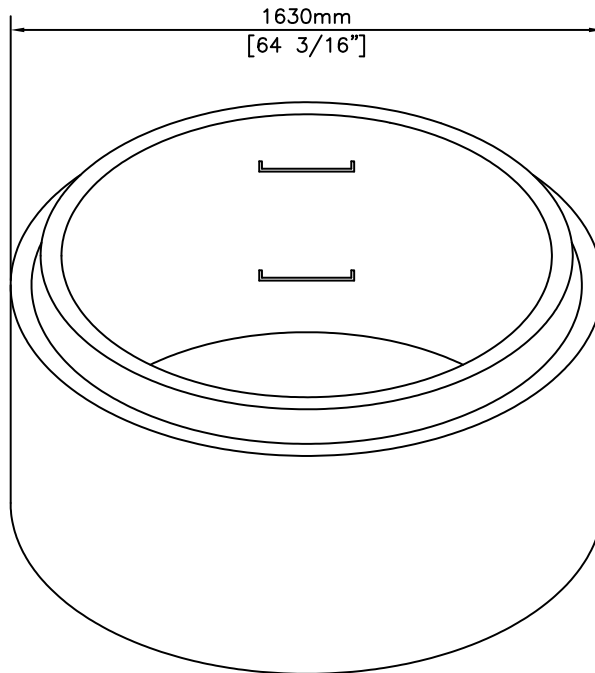
DETAIL

NOTES:

- 1) MEETS OR EXCEEDS ASTM C-478
- 2) 27.6 MPa @ 28 DAYS
- 3) MEETS H-20 LOADING

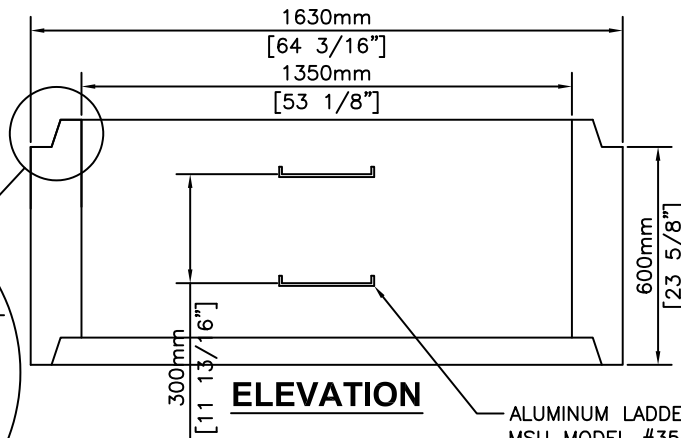
REVISED: JAN 8 2008

 KON KAST products (2005) Ltd. "Committed To Quality And Service"	3440 UNIVERSITY WAY KELOWNA B.C. V1V 1V9 PH: (250)765-1423 FX: (250)765-0820	BY: PKR DATE: JAN 8 2008 SCALE: NTS	1350mm (53 1/8") I.D. x 300mm (12") HEIGHT MANHOLE BARREL	ITEM NO. 754



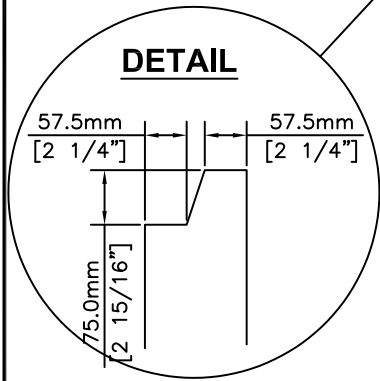
ISOMETRIC

NOTE:
c/w 2-3 3/8 LIFTING
ANCHORS FOR HANDLING



ELEVATION

ALUMINUM LADDER RUNG
MSU MODEL #350
102mm (4") FROM WALL
AT POINT OF EMBEDMENT



DETAIL

NOTES:

- 1) MEETS OR EXCEEDS ASTM C-478
- 2) 27.6 MPa @ 28 DAYS
- 3) MEETS H-20 LOADING

REVISED: JAN 8 2008



KON KAST
products Ltd.

"Committed To Quality And Service"

3440 UNIVERSITY WAY
KELOWNA B.C.
V1V 1V9
PH: (250)765-1423
FX: (250)765-0820

BY: PKR

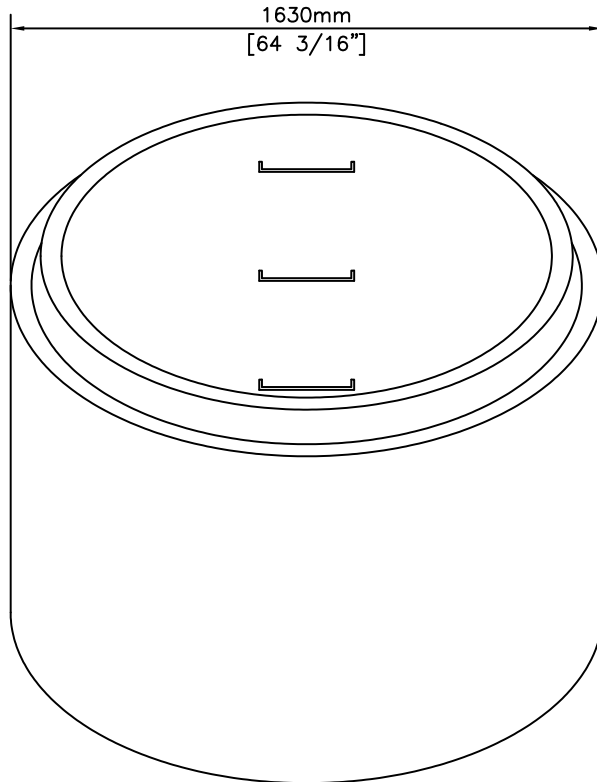
DATE: FEB 7 05

SCALE: NTS

1350mm (53 1/8") I.D.
x 600mm (24") HEIGHT
MANHOLE BARREL

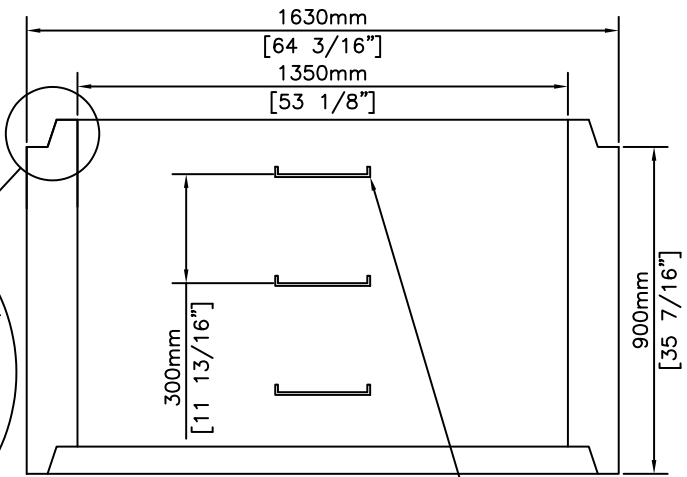
ITEM NO.

755



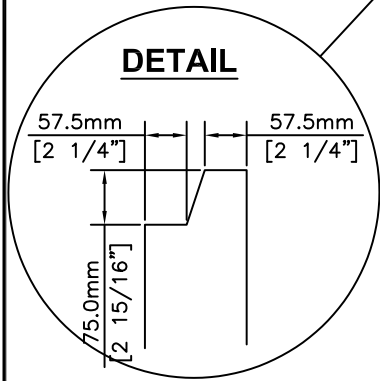
ISOMETRIC

NOTE:
c/w 2-3 3/8 LIFTING
ANCHORS FOR HANDLING



ELEVATION

ALUMINUM LADDER RUNG
MSU MODEL #350
102mm (4") FROM WALL
AT POINT OF EMBEDMENT




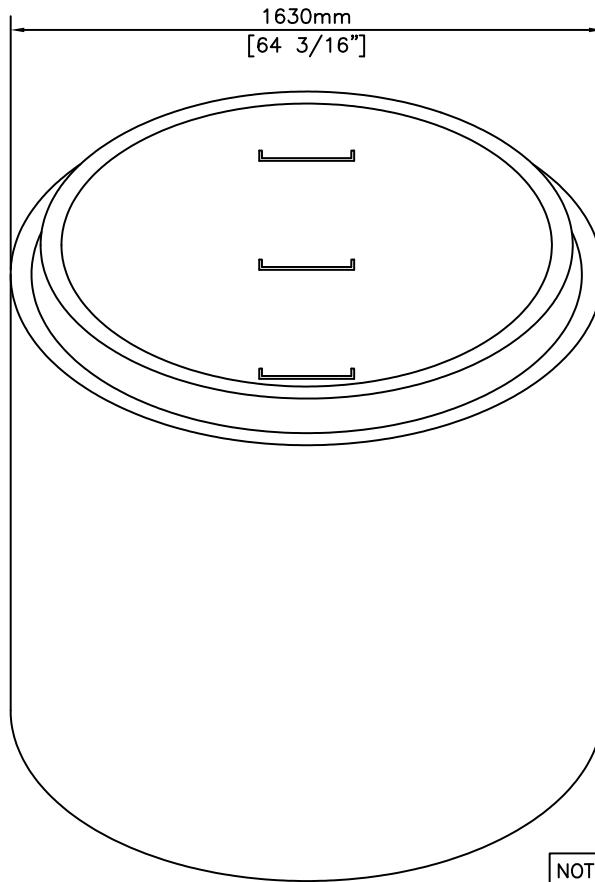
DETAIL

NOTES:

- 1) MEETS OR EXCEEDS ASTM C-478
- 2) 27.6 MPa @ 28 DAYS
- 3) MEETS H-20 LOADING

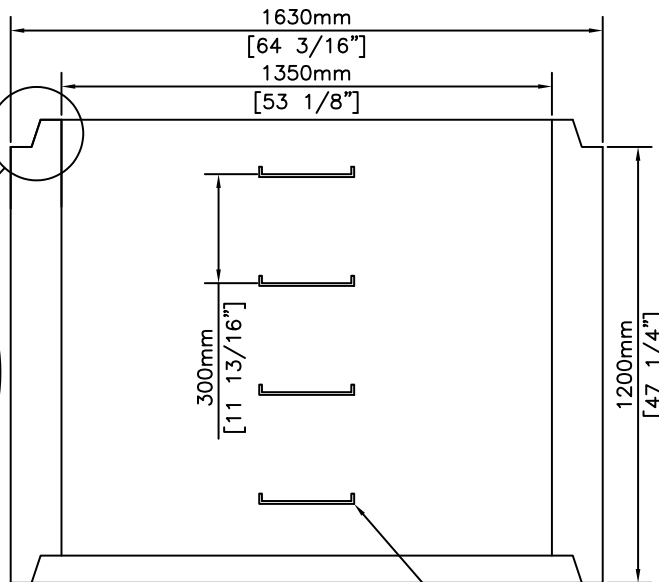
REVISED: JAN 8 2008

 <p>KON KAST products (2005) Ltd. "Committed To Quality And Service"</p>	<p>3440 UNIVERSITY WAY KELOWNA B.C. V1V 1V9 PH: (250)765-1423 FX: (250)765-0820</p>	BY: PKR	<p>1350mm (53 1/8") I.D. x 900mm (36") HEIGHT MANHOLE BARREL</p>	ITEM NO.
		DATE: FEB 7 05		<p>756</p>
		SCALE: NTS		



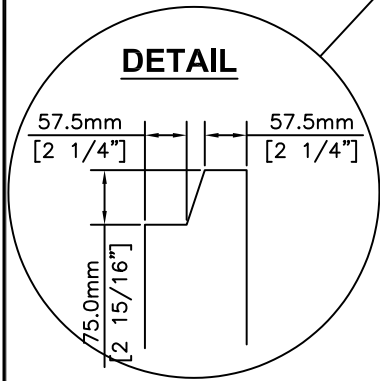
ISOMETRIC

NOTE:
c/w 2-3 3/8 LIFTING
ANCHORS FOR HANDLING



ELEVATION

ALUMINUM LADDER RUNG MSU MODEL #350
102mm (4") FROM WALL AT
POINT OF EMBEDMENT



DETAIL

NOTES:

- 1) MEETS OR EXCEEDS ASTM C-478
- 2) 27.6 MPa @ 28 DAYS
- 3) MEETS H-20 LOADING

REVISED: JAN 8 2008



KON KAST

products (2005) Ltd.
"Committed To Quality And Service"

3440 UNIVERSITY WAY
KELOWNA B.C.
V1V 1V9
PH: (250)765-1423
FX: (250)765-0820

BY: PKR

DATE: FEB 7 05

SCALE: NTS

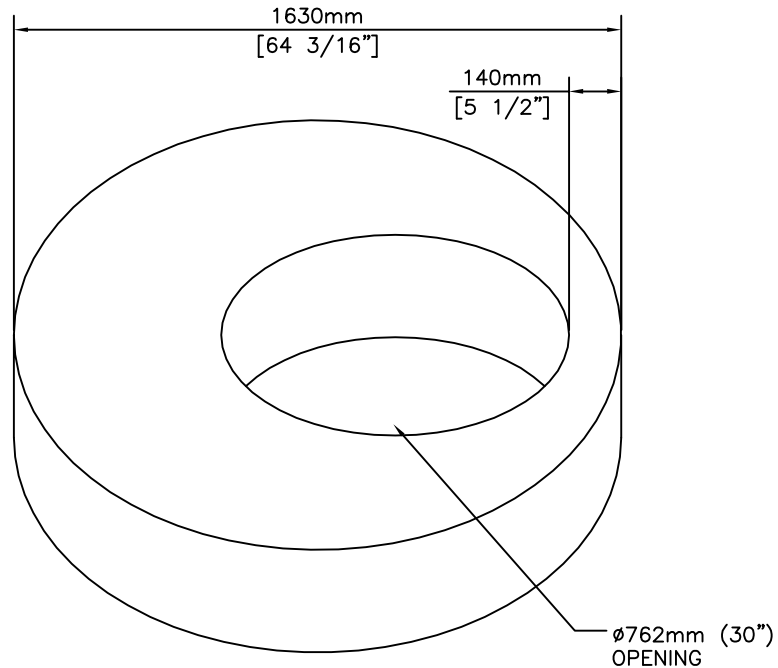
1350mm (53 1/8") I.D.

x 1200mm (48") HEIGHT

MANHOLE BARREL

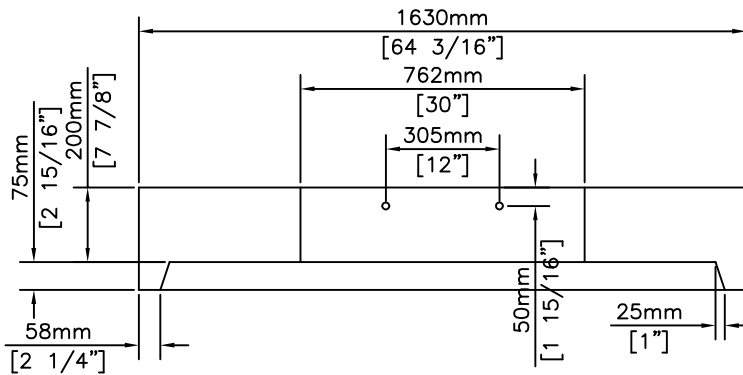
ITEM NO.

757



ISOMETRIC

NOTE:
c/w 3-3 3/8" LIFTING
ANCHORS FOR HANDLING




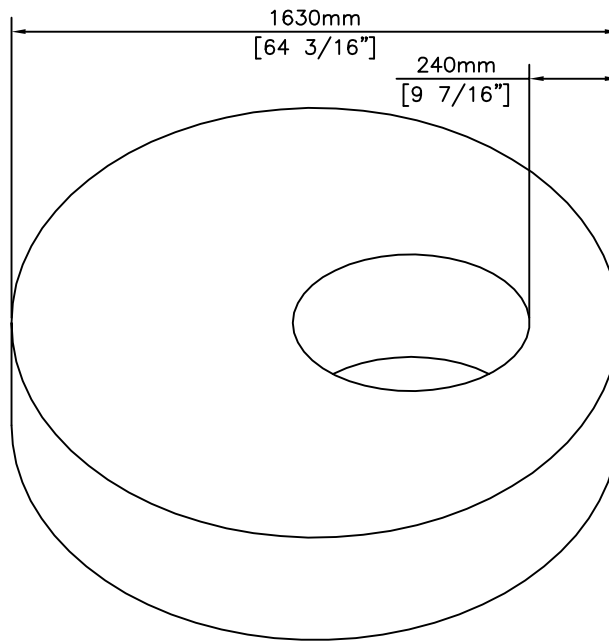
SECTION

NOTES:

- 1) MEETS OR EXCEEDS ASTM C478
- 2) 27.6 MPa @ 28 DAYS
- 3) MEETS H-20 LOADING

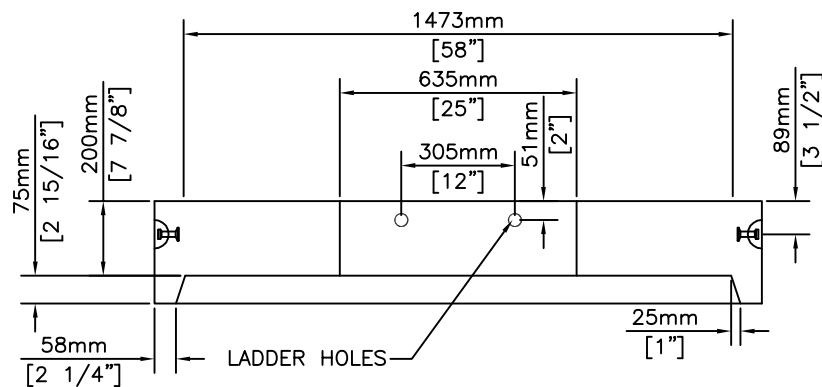
REVISED: MAR 17 2010

 <p>KON KAST products (2005) Ltd. "Committed To Quality And Service"</p>	<p>3440 UNIVERSITY WAY KELOWNA B.C. V1V 1V9 PH: (250)765-1423 FX: (250)765-0820</p>	BY: PKR	<p>Ø1630mm LID Ø762mm OPENING FOR 1350mm BARREL</p>	ITEM NO.
		DATE: FEB 8 05		<p>758</p>
		SCALE: NTS		



NOTE:
c/w 3-3 3/8" LIFTING
ANCHORS FOR HANDLING

ISOMETRIC




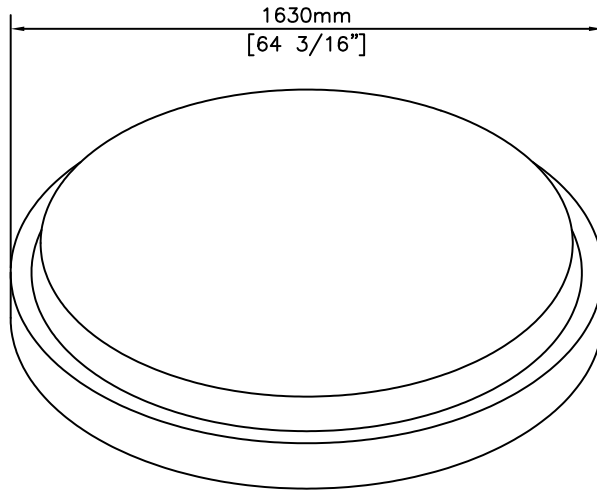
SECTION

NOTES:

- 1) MEETS OR EXCEEDS ASTM C478
- 2) 27.6 MPa @ 28 DAYS
- 3) MEETS H-20 LOADING

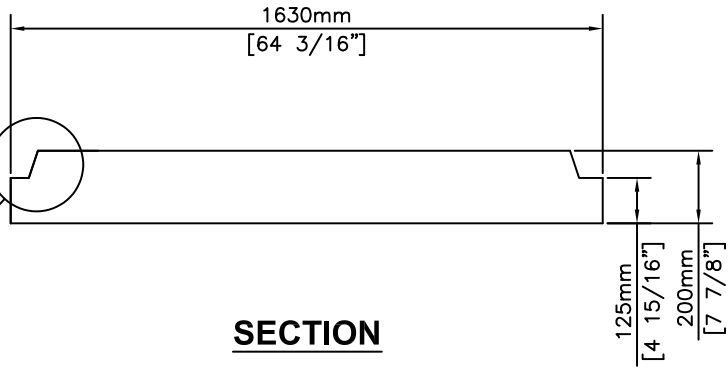
REVISED: MAR 17 2010

 <p>KON KAST products (2005) Ltd. "Committed To Quality And Service"</p>	<p>3440 UNIVERSITY WAY KELOWNA B.C. V1V 1V9 PH: (250)765-1423 FX: (250)765-0820</p>	BY: PKR	<p>Ø1630mm LID Ø635mm OPENING FOR 1350mm BARREL</p>	ITEM NO.
		DATE: FEB 8 05		<p>759</p>
		SCALE: NTS		

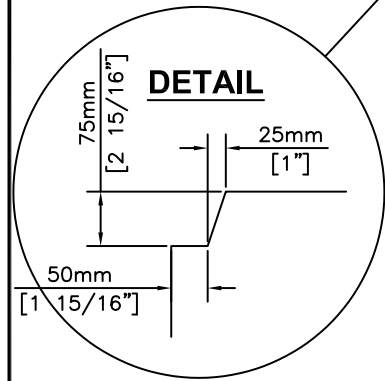


ISOMETRIC

NOTE:
c/w 3-3 3/8" LIFTING
ANCHORS FOR HANDLING




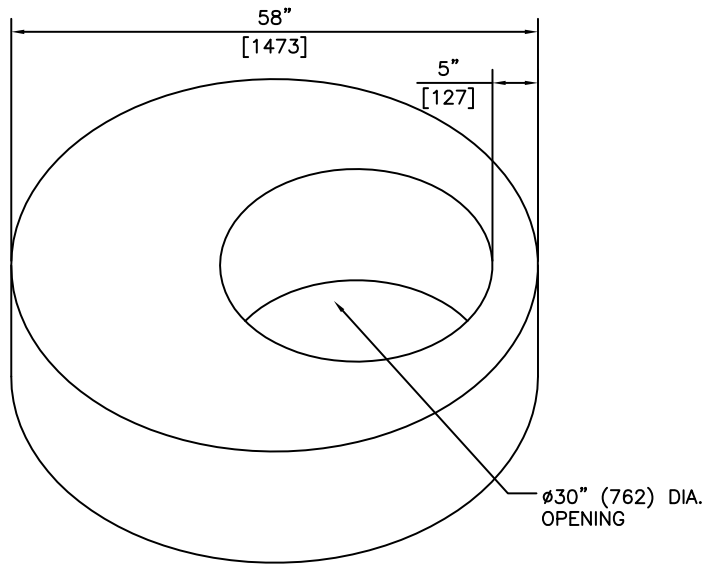
SECTION



- NOTES:**
- 1) MEETS OR EXCEEDS ASTM C-478
 - 2) 27.6 MPa @ 28 DAYS
 - 3) MEETS H-20 LOADING

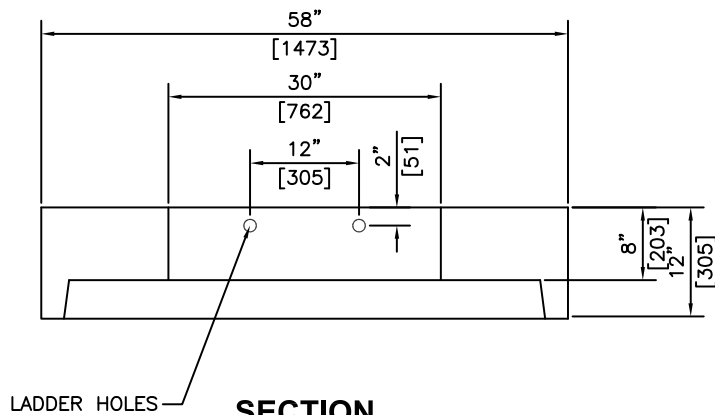
REVISED: JAN 8 2008

 <p>KON KAST products (2005) Ltd. "Committed To Quality And Service"</p>	<p>3440 UNIVERSITY WAY KELOWNA B.C. V1V 1V9 PH: (250)765-1423 FX: (250)765-0820</p>	BY: PKR	<p>1630mm (64 1/8") O.D. BASE FOR 1350mm MANHOLE BARREL</p>	ITEM NO.
		DATE: FEB 7 05		<p>760</p>
		SCALE: NTS		



NOTE:
c/w 3-3 3/8" LIFTING
ANCHORS FOR HANDLING

ISOMETRIC




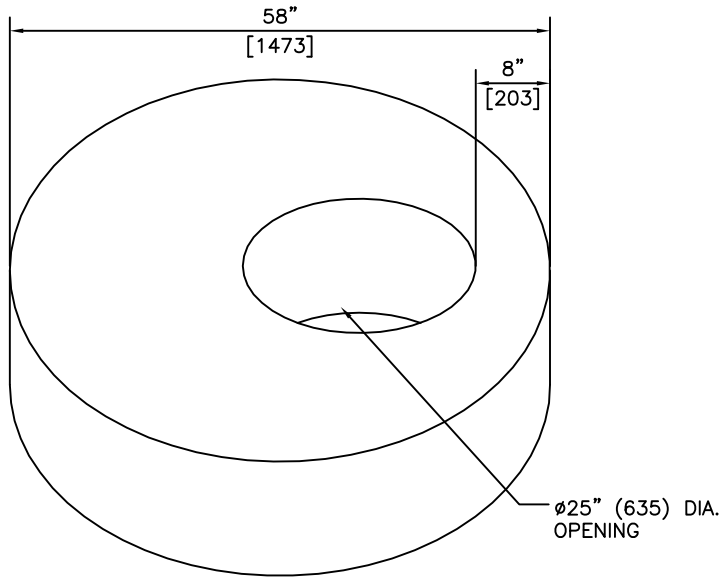
SECTION

NOTES:

- 1) MEETS OR EXCEEDS ASTM C478
- 2) 27.6 MPa @ 28 DAYS
- 3) MEETS H-20 LOADING

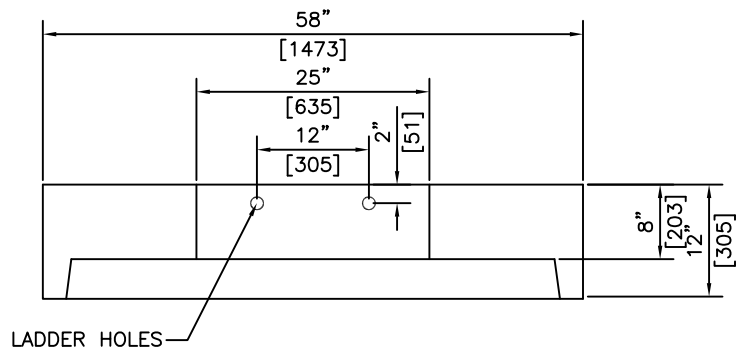
REVISED: JAN 8 2008

 <p>KON KAST products (2005) Ltd. "Committed To Quality And Service"</p>	<p>3440 UNIVERSITY WAY KELOWNA B.C. V1V 1V9 PH: (250)765-1423 FX: (250)765-0820</p>	BY: PKR	<p>58" (1473) O.D. LID Ø30"(762) OPENING FOR 48" (1200) BARREL</p>	ITEM NO.
		DATE: FEB 8 05		<p>766</p>
		SCALE: NTS		



ISOMETRIC

NOTE:
c/w 3-3 3/8" LIFTING
ANCHORS FOR HANDLING




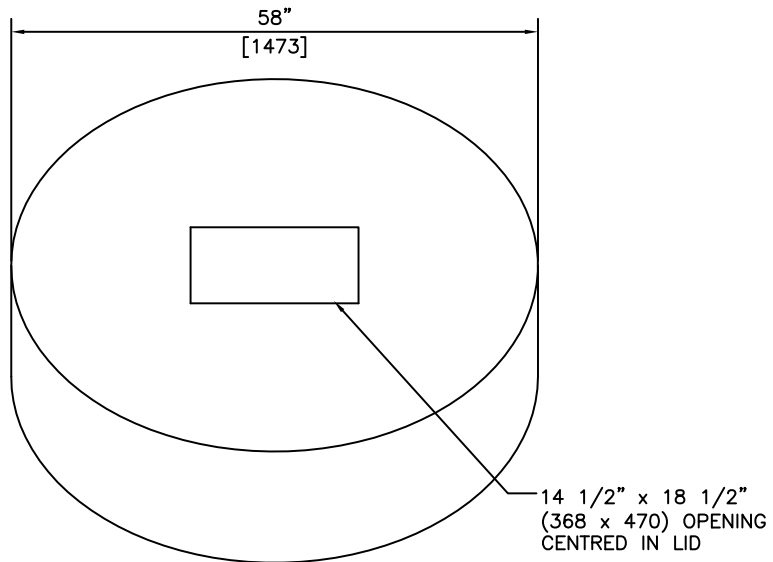
ISOMETRIC

NOTES:

- 1) MEETS OR EXCEEDS ASTM C478
- 2) 27.6 MPa @ 28 DAYS
- 3) MEETS H-20 LOADING

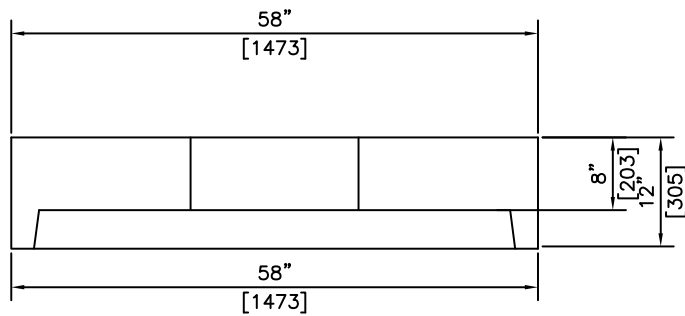
REVISED: MAR 17 2010

 <p>KON KAST products (2005) Ltd. "Committed To Quality And Service"</p>	<p>3440 UNIVERSITY WAY KELOWNA B.C. V1V 1V9 PH: (250)765-1423 FX: (250)765-0820</p>	BY: PKR	<p>58" (1473) O.D. LID Ø25" (635) OPENING FOR 48" (1200) BARREL</p>	ITEM NO.
		DATE: FEB 8 05		<p>767</p>
		SCALE: NTS		



NOTE:
c/w 3-3 3/8" LIFTING
ANCHORS FOR HANDLING

ISOMETRIC



ISOMETRIC

NOTES:

- 1) MEETS OR EXCEEDS ASTM C478
- 2) 27.6 MPa @ 28 DAYS
- 3) MEETS H-20 LOADING

REVISED: JAN 8 2008



KON KAST

products (2005) Ltd.
"Committed To Quality And Service"

3440 UNIVERSITY WAY
KELOWNA B.C.
V1V 1V9
PH: (250)765-1423
FX: (250)765-0820

BY: PKR

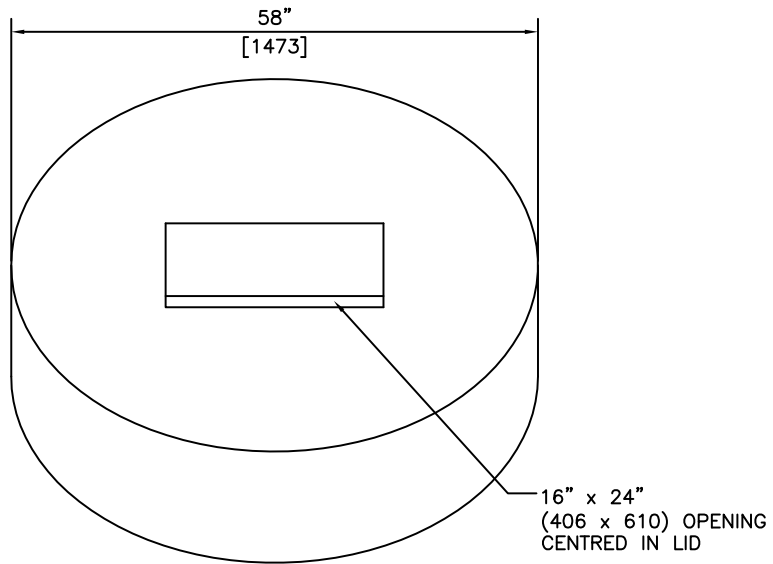
DATE: FEB 8 05

SCALE: NTS

**58" (1473) O.D. LID
B37 OPENING FOR
48" (1200) BARREL**

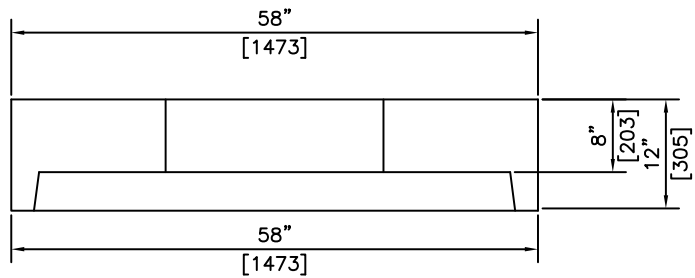
ITEM NO.

767CB



ISOMETRIC

NOTE:
c/w 3-3 3/8" LIFTING
ANCHORS FOR HANDLING




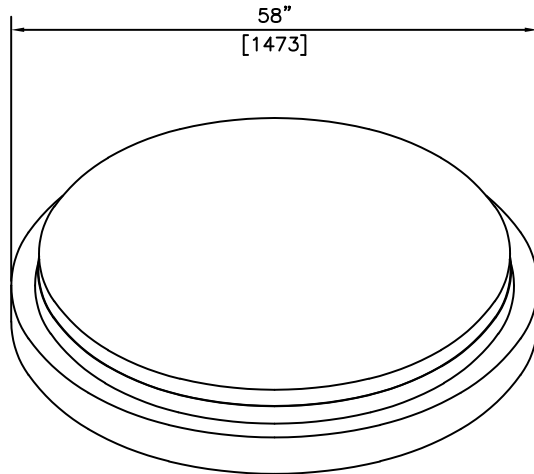
ISOMETRIC

NOTES:

- 1) MEETS OR EXCEEDS ASTM C478
- 2) 27.6 MPa @ 28 DAYS
- 3) MEETS H-20 LOADING

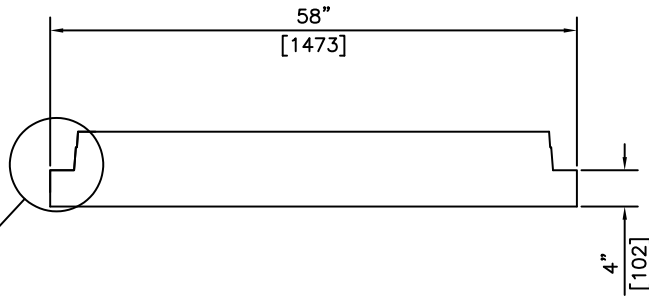
REVISED: JAN 8 2008

 <p>KON KAST products (2005) Ltd. "Committed To Quality And Service"</p>	<p>3440 UNIVERSITY WAY KELOWNA B.C. V1V 1V9 PH: (250)765-1423 FX: (250)765-0820</p>	BY: PKR	<p>58" (1473) O.D. LID HWYS OPENING FOR 48" (1200) BARREL</p>	ITEM NO.
		DATE: FEB 8 05		<p>767CBH</p>
		SCALE: NTS		

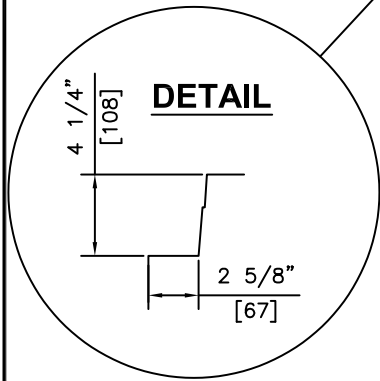


NOTE:
c/w 3-3 3/8" LIFTING
ANCHORS FOR HANDLING

ISOMETRIC



SECTION



NOTES:

- 1) MEETS OR EXCEEDS ASTM C-478
- 2) 27.6 MPa @ 28 DAYS
- 3) MEETS H-20 LOADING

REVISED: SEP 13 2006



KON KAST
products (2005) Ltd.

"Committed To Quality And Service"

3440 UNIVERSITY WAY
KELOWNA B.C.
V1V 1V9
PH: (250)765-1423
FX: (250)765-0820

BY: PKR

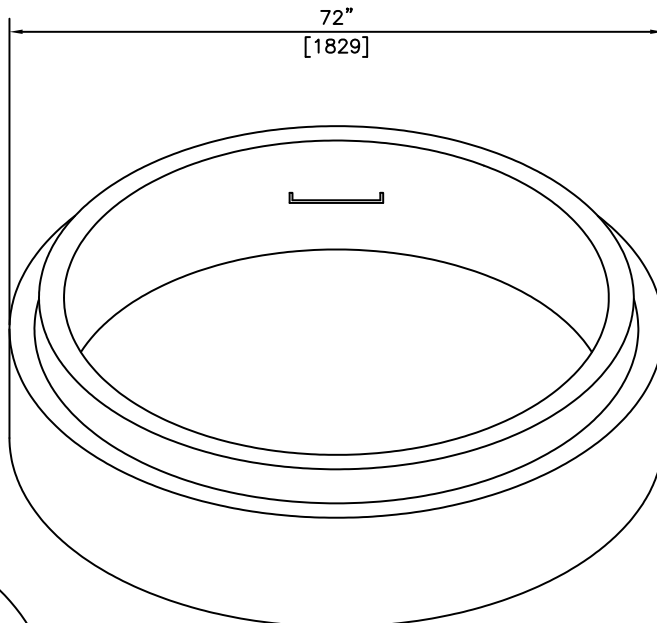
DATE: JAN 8 2008

SCALE: NTS

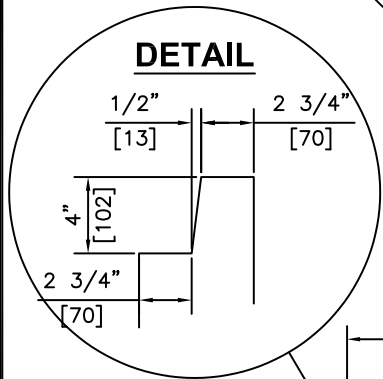
58" (1473) O.D.
BASE FOR
48" (1200) BARREL

ITEM NO.

770

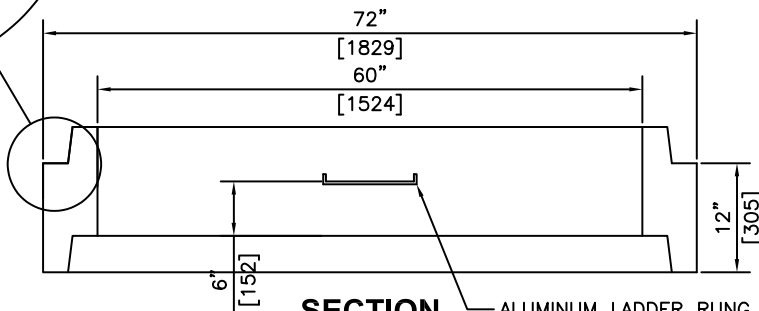


ISOMETRIC



DETAIL

NOTE:
c/w 3-3 3/8" LIFTING
ANCHORS FOR HANDLING



SECTION

ALUMINUM LADDER RUNG MSU
MODEL #350 4" (102) FROM WALL
AT POINT OF EMBEDMENT

NOTES:

- 1) MEETS OR EXCEEDS ASTM C-478
- 2) 27.6 MPa @ 28 DAYS
- 3) MEETS H-20 LOADING

REVISED: JAN 8 2008



KON KAST

products (2005) Ltd.
"Committed To Quality And Service"

3440 UNIVERSITY WAY
KELOWNA B.C.
V1V 1V9
PH: (250)765-1423
FX: (250)765-0820

BY: PKR

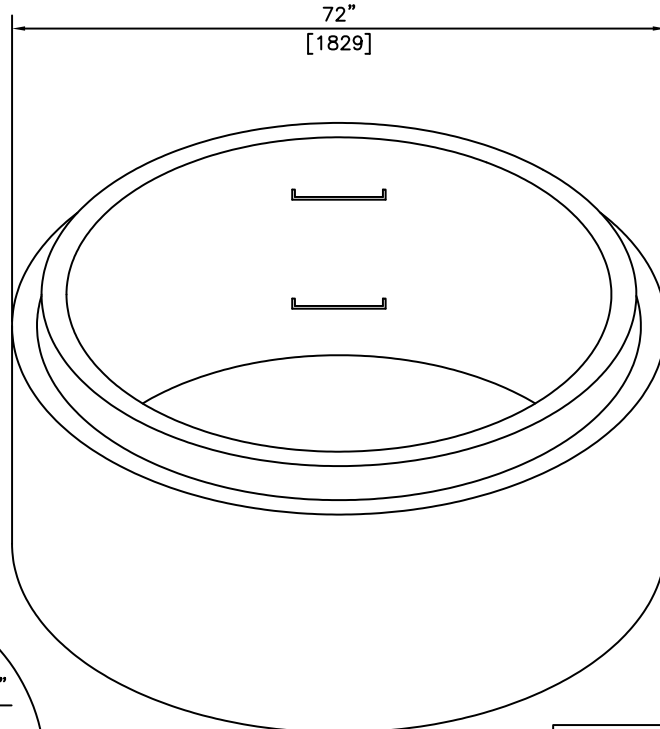
DATE: FEB 8 05

SCALE: NTS

**60" (1500) I.D.
x 12" (305) HEIGHT
MANHOLE BARREL**

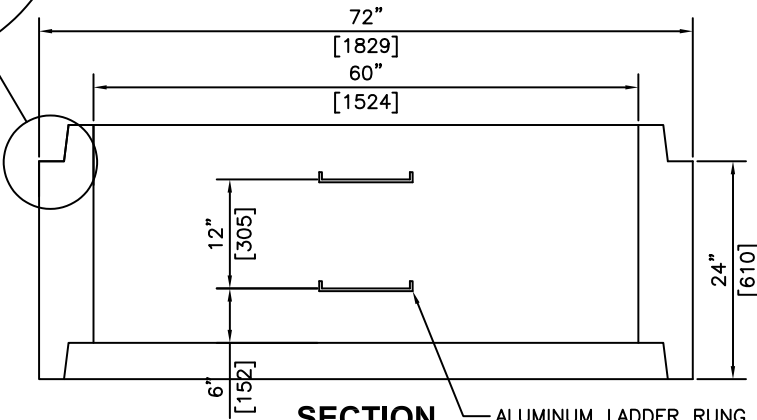
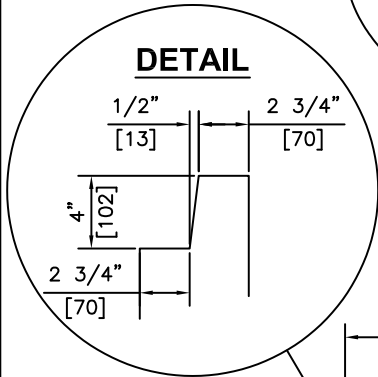
ITEM NO.

775



ISOMETRIC

NOTE:
c/w 3-3 3/8" LIFTING
ANCHORS FOR HANDLING



SECTION

ALUMINUM LADDER RUNG MSU
MODEL #350 4" (102) FROM WALL
AT POINT OF EMBEDMENT

NOTES:

- 1) MEETS OR EXCEEDS ASTM C-478
- 2) 27.6 MPa @ 28 DAYS
- 3) MEETS H-20 LOADING

REVISED: JAN 8 2008



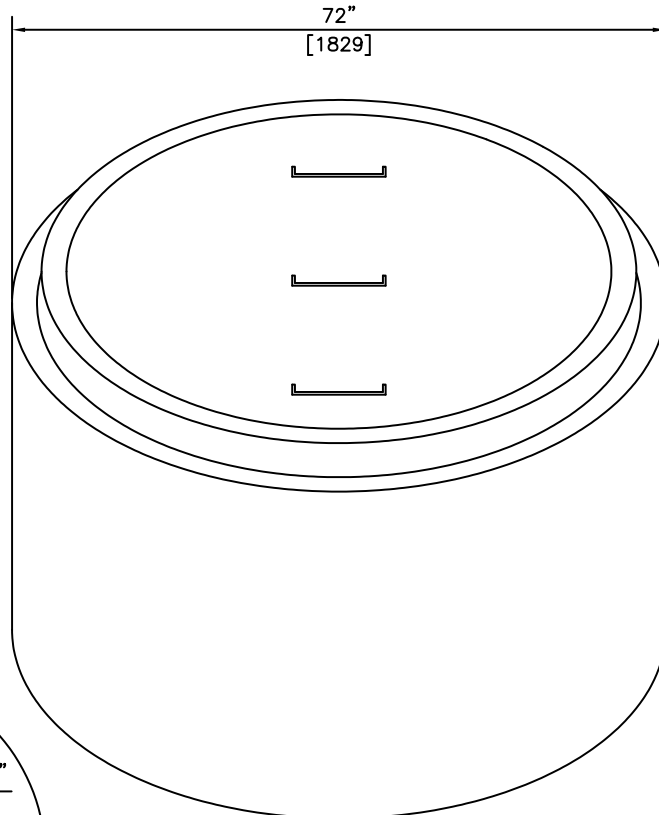
KON KAST
products (2005) Ltd.
"Committed To Quality And Service"

3440 UNIVERSITY WAY
KELOWNA B.C.
V1V 1V9
PH: (250)765-1423
FX: (250)765-0820

BY: PKR
DATE: FEB 8 05
SCALE: NTS

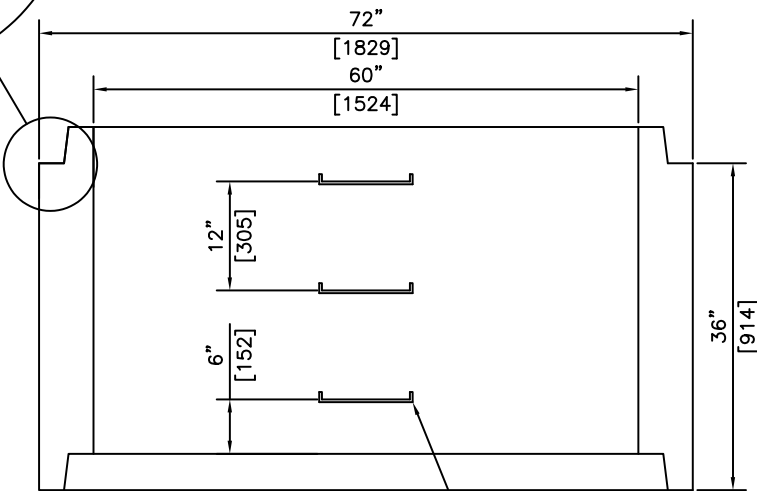
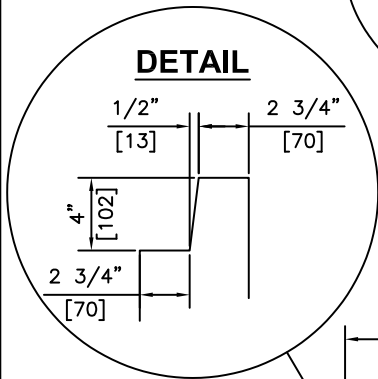
60" (1500) I.D.
x 24" (610) HEIGHT
MANHOLE BARREL

ITEM NO.
776



ISOMETRIC

NOTE:
c/w 3-3 3/8" LIFTING
ANCHORS FOR HANDLING



SECTION

ALUMINUM LADDER RUNG MSU
MODEL #350 4" (102) FROM WALL
AT POINT OF EMBEDMENT

NOTES:

- 1) MEETS OR EXCEEDS ASTM C-478
- 2) 27.6 MPa @ 28 DAYS
- 3) MEETS H-20 LOADING

REVISED: JAN 8 2008



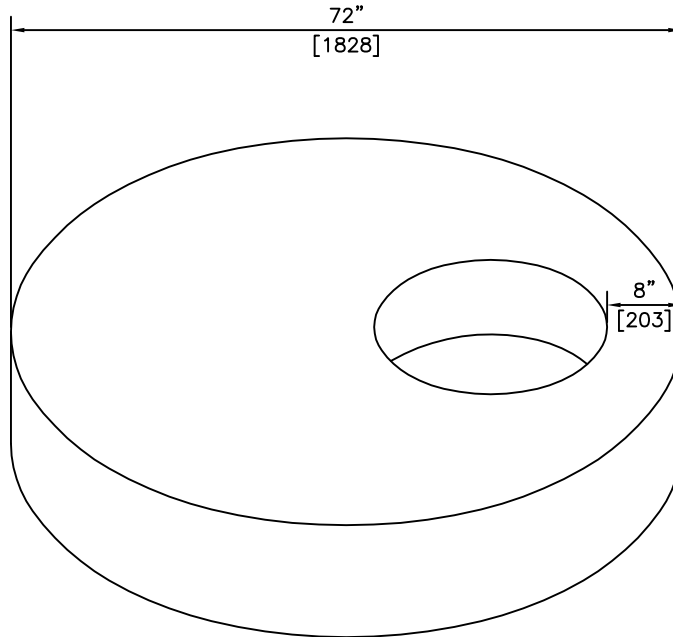
KON KAST
products (2005) Ltd.
"Committed To Quality And Service"

3440 UNIVERSITY WAY
KELOWNA B.C.
V1V 1V9
PH: (250)765-1423
FX: (250)765-0820

BY: PKR
DATE: FEB 8 05
SCALE: NTS

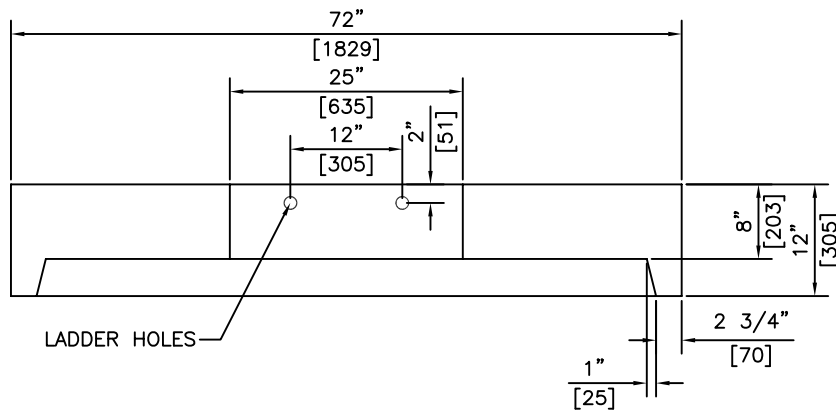
**60" (1500) I.D.
x 36" (914) HEIGHT
MANHOLE BARREL**

ITEM NO.
777



NOTE:
c/w 3-4 3/4" LIFTING
ANCHORS FOR HANDLING

ISOMETRIC




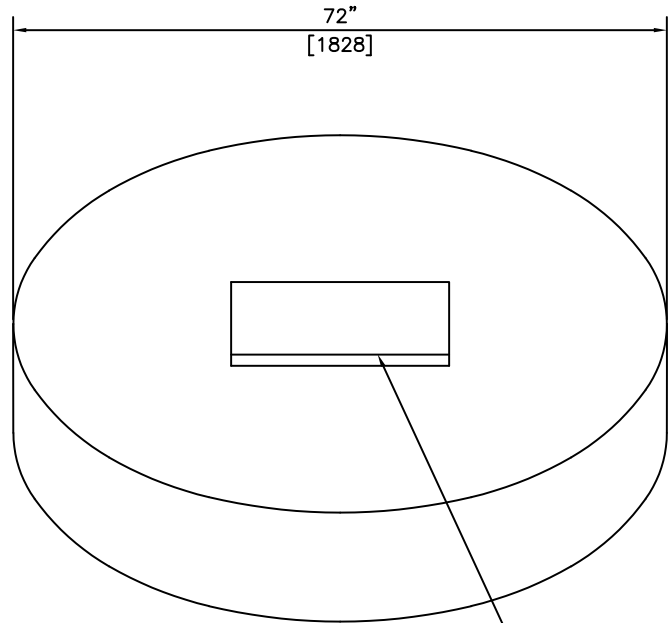
SECTION

NOTES:

- 1) MEETS OR EXCEEDS ASTM C478
- 2) 27.6 MPa @ 28 DAYS
- 3) MEETS H-20 LOADING

REVISED: MAR 17 2010

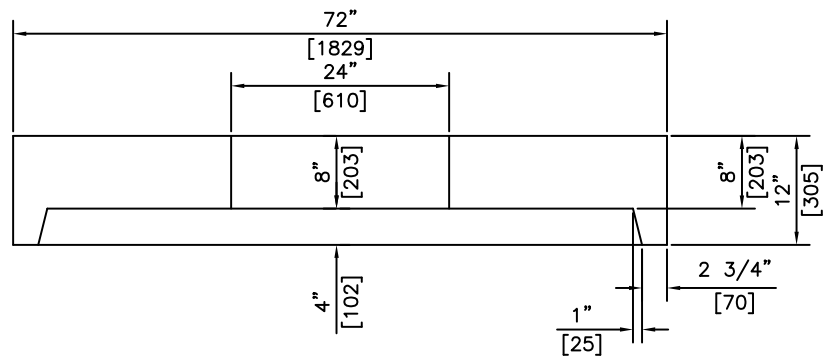
 <p>KON KAST products (2005) Ltd. "Committed To Quality And Service"</p>	<p>3440 UNIVERSITY WAY KELOWNA B.C. V1V 1V9 PH: (250)765-1423 FX: (250)765-0820</p>	BY: PKR	<p>72" (1829) O.D. LID Ø25" (635) OPENING FOR 60" (1500) BARREL</p>	ITEM NO.
		DATE: FEB 8 05		<p>778</p>
		SCALE: NTS		



ISOMETRIC

16" x 24" (381mm x 610mm)
CB OPENING CENTRED IN LID

NOTE:
c/w 3-4 3/4" LIFTING
ANCHORS FOR HANDLING



SECTION

NOTES:

- 1) MEETS OR EXCEEDS ASTM C478
- 2) 27.6 MPa @ 28 DAYS
- 3) MEETS H-20 LOADING

REVISED: JAN 9 2008



KON KAST

products (2005) Ltd.
"Committed To Quality And Service"

3440 UNIVERSITY WAY
KELOWNA B.C.
V1V 1V9
PH: (250)765-1423
FX: (250)765-0820

BY: PKR

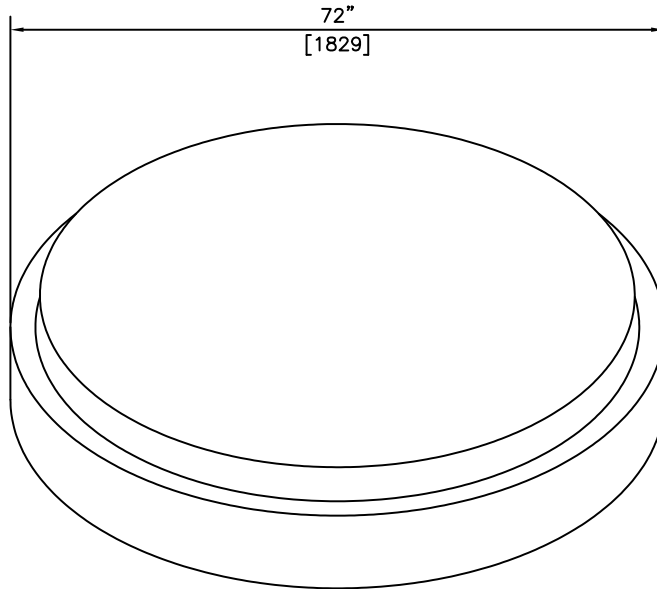
DATE: FEB 8 05

SCALE: NTS

**72" (1829) O.D. LID
HWYS OPENING FOR
60" (1500) BARREL**

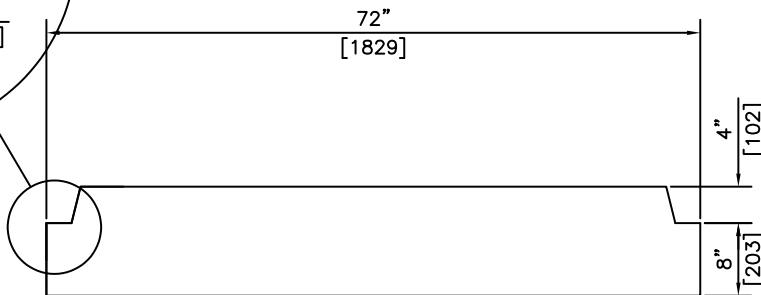
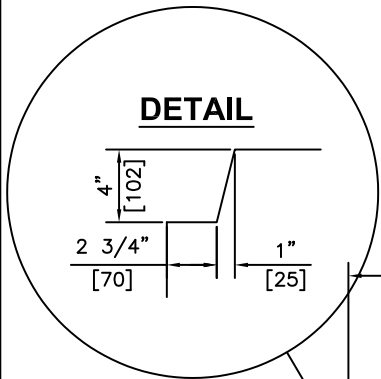
ITEM NO.

778CBH



ISOMETRIC

NOTE:
c/w 3-4 3/4" LIFTING
ANCHORS FOR HANDLING



SECTION

NOTES:

- 1) MEETS OR EXCEEDS ASTM C-478
- 2) 27.6 MPa @ 28 DAYS
- 3) MEETS H-20 LOADING

REVISED: SEP 13 2006



KON KAST

products (2005) Ltd.
"Committed To Quality And Service"

3440 UNIVERSITY WAY
KELOWNA B.C.
V1V 1V9
PH: (250)765-1423
FX: (250)765-0820

BY: PKR

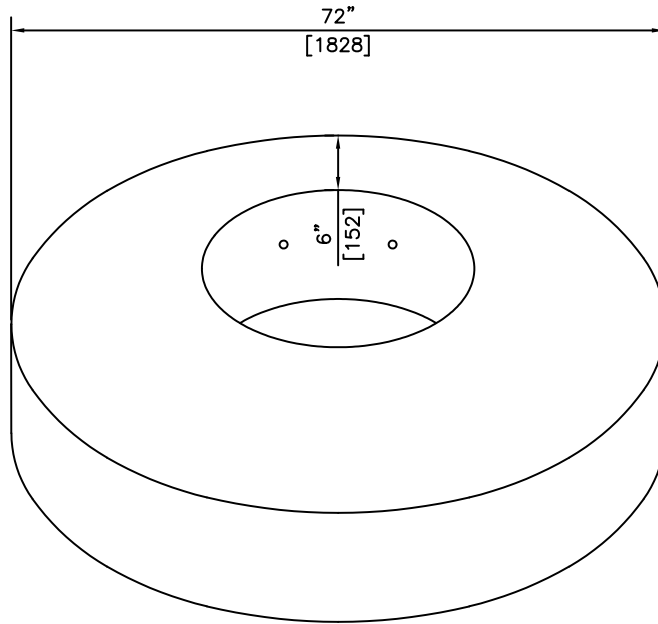
DATE: FEB 8 05

SCALE: NTS

72" (1829) O.D.
BASE FOR
60" (1500) BARREL

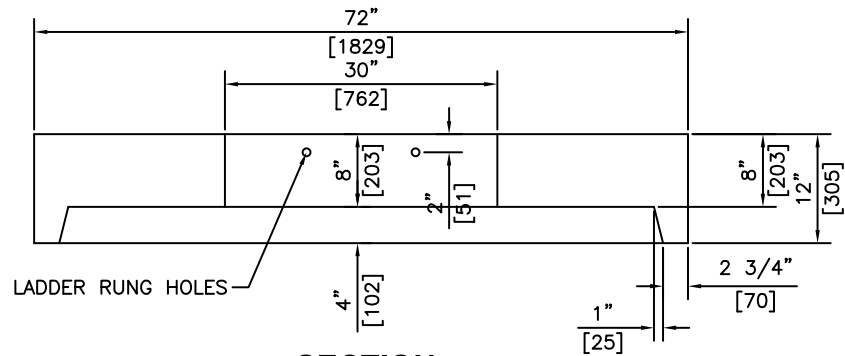
ITEM NO.

779



ISOMETRIC

NOTE:
c/w 3-4 3/4" LIFTING
ANCHORS FOR HANDLING




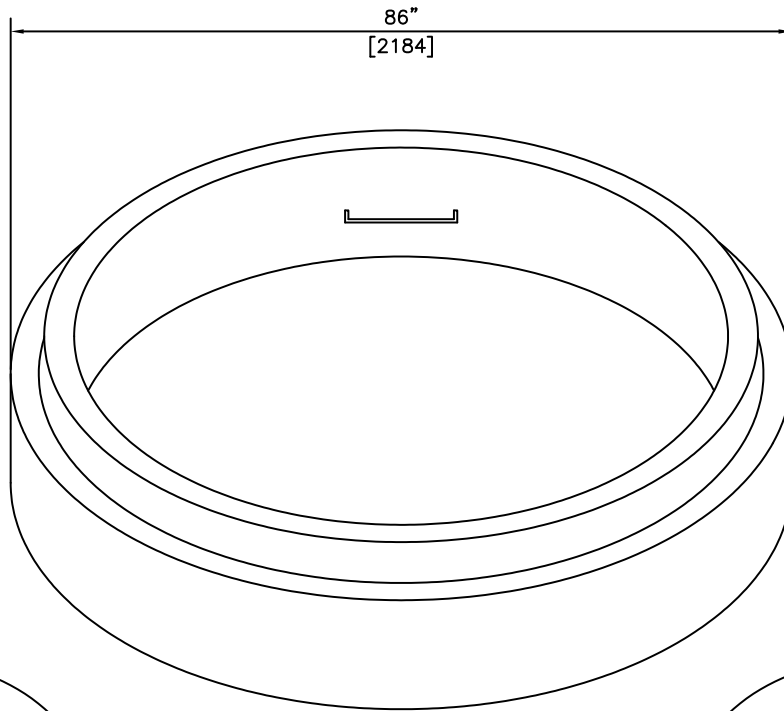
SECTION

NOTES:

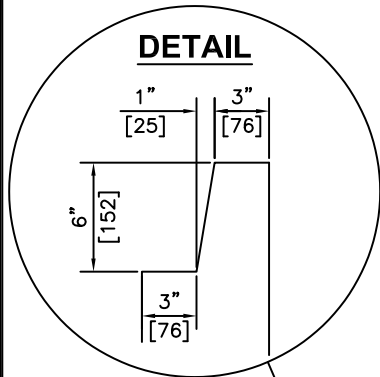
- 1) MEETS OR EXCEEDS ASTM C478
- 2) 27.6 MPa @ 28 DAYS
- 3) MEETS H-20 LOADING

REVISED: JAN 9 2008

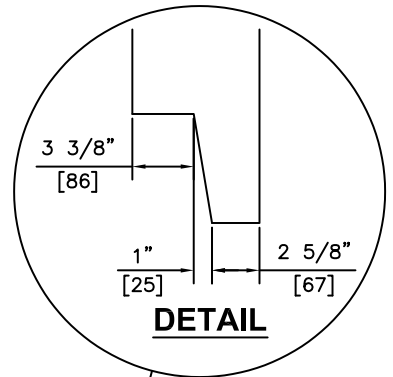
 <p>KON KAST products (2005) Ltd. "Committed To Quality And Service"</p>	<p>3440 UNIVERSITY WAY KELOWNA B.C. V1V 1V9 PH: (250)765-1423 FX: (250)765-0820</p>	BY: PKR	<p>72" (1829) O.D. LID Ø30" (762) OPENING FOR 60" (1500) BARREL</p>	ITEM NO.
		DATE: FEB 8 05		<p>780</p>
		SCALE: NTS		



ISOMETRIC

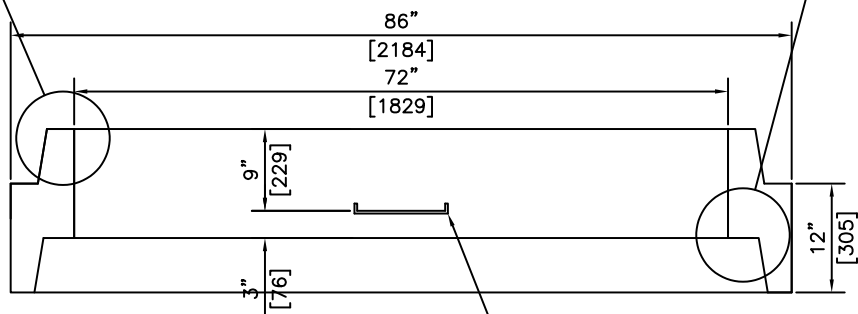


DETAIL



DETAIL

NOTE:
c/w 3-3 3/8" UNI-LIFT
ANCHORS FOR HANDLING



SECTION

ALUMINUM LADDER RUNG MSU MODEL #350
4" (102) FROM WALL AT POINT OF EMBEDMENT

NOTES:

- 1) MEETS OR EXCEEDS ASTM C-478
- 2) 27.6 MPa @ 28 DAYS
- 3) MEETS H-20 LOADING

REVISED: JAN 9 2008



KON KAST

products (2005) Ltd.
"Committed To Quality And Service"

3440 UNIVERSITY WAY
KELOWNA B.C.
V1V 1V9
PH: (250)765-1423
FX: (250)765-0820

BY: PKR

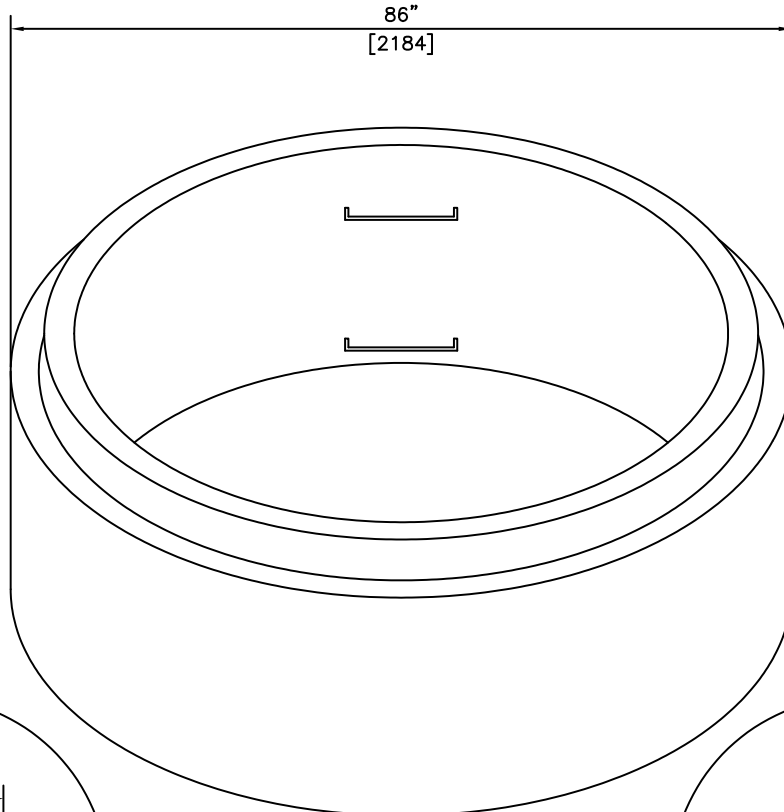
DATE: FEB 8 05

SCALE: NTS

72" (1800) I.D.
x 12" (305) HEIGHT
MANHOLE BARREL

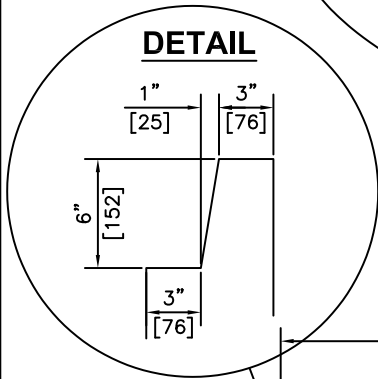
ITEM NO.

781

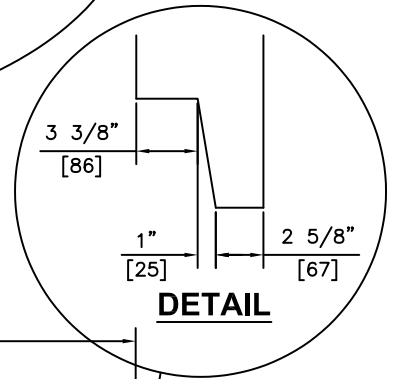


ISOMETRIC

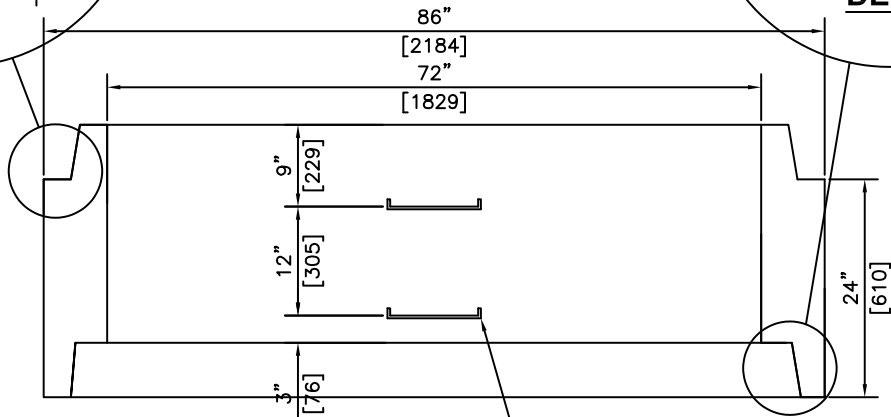
NOTE:
c/w 3-3 3/8" UNI-LIFT
ANCHORS FOR HANDLING



DETAIL



DETAIL



SECTION

ALUMINUM LADDER RUNG MSU MODEL #350
4" (102) FROM WALL AT POINT OF EMBEDMENT

NOTES:

- 1) MEETS OR EXCEEDS ASTM C-478
- 2) 27.6 MPa @ 28 DAYS
- 3) MEETS H-20 LOADING

REVISED: SEP 11 2006

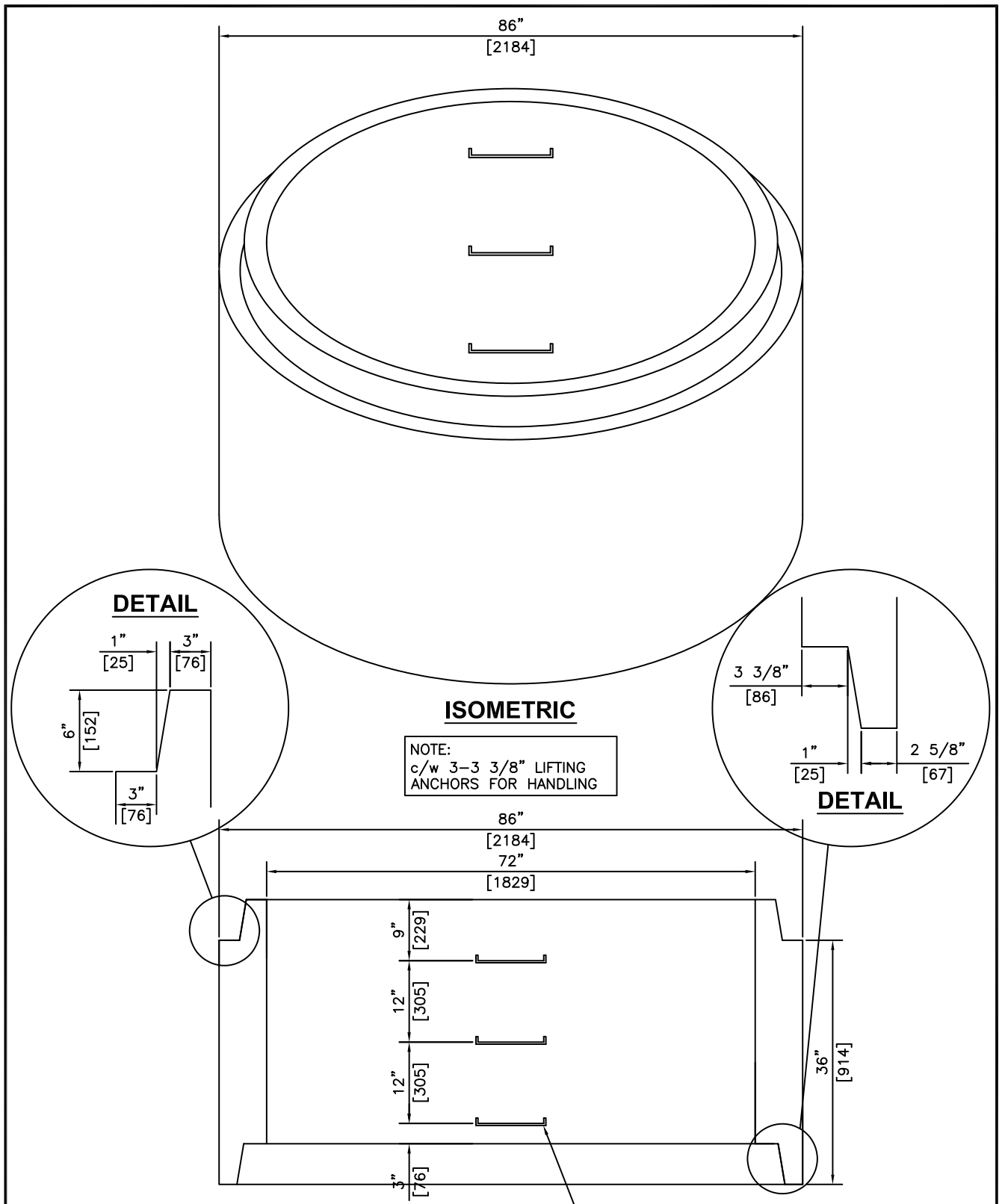
KON KAST
products (2005) Ltd.
"Committed To Quality And Service"

3440 UNIVERSITY WAY
KELOWNA B.C.
V1V 1V9
PH: (250)765-1423
FX: (250)765-0820

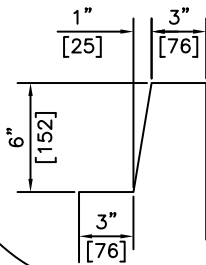
BY: PKR
DATE: FEB 8 05
SCALE: NTS

72" (1829) I.D.
x 24" (610) HEIGHT
MANHOLE BARREL

ITEM NO.
782



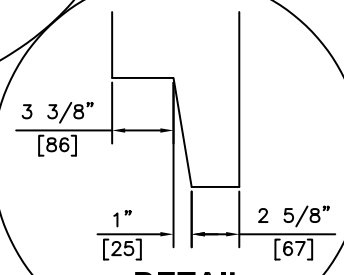
DETAIL



ISOMETRIC

NOTE:
c/w 3-3 3/8" LIFTING ANCHORS FOR HANDLING

DETAIL




SECTION

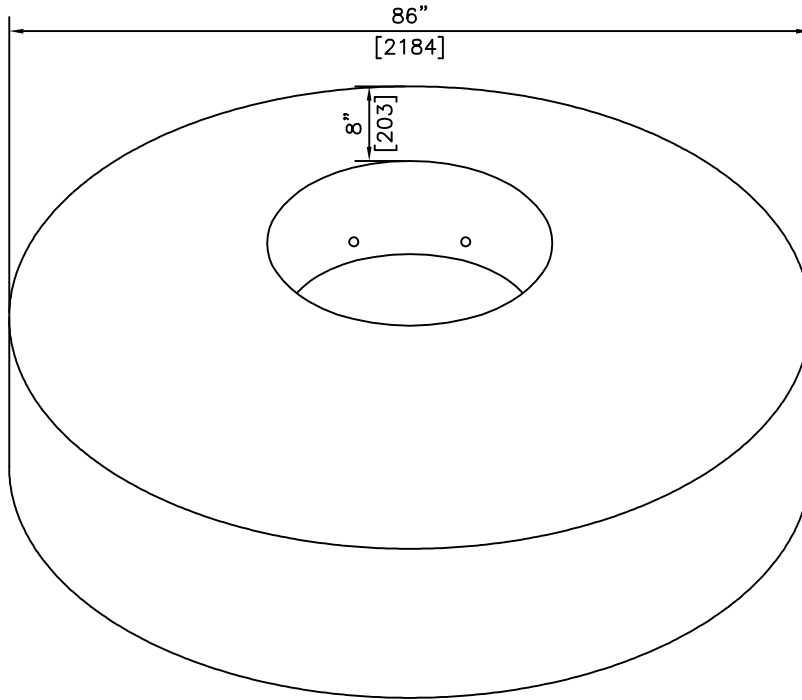
ALUMINUM LADDER RUNG MSU MODEL #350
4" (102) FROM WALL AT POINT OF EMBEDMENT

NOTES:

- 1) MEETS OR EXCEEDS ASTM C-478
- 2) 27.6 MPa @ 28 DAYS
- 3) MEETS H-20 LOADING

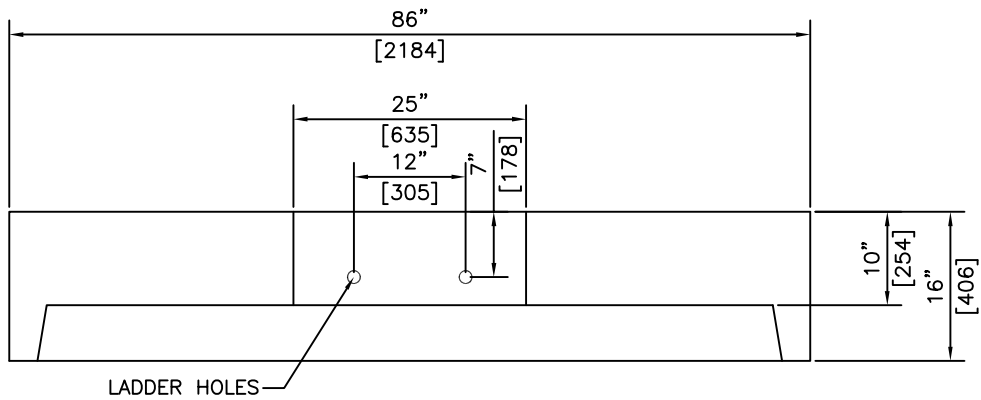
REVISED: JAN 9 2008

 <p>KON KAST products (2005) Ltd. "Committed To Quality And Service"</p>	<p>3440 UNIVERSITY WAY KELOWNA B.C. V1V 1V9 PH: (250)765-1423 FX: (250)765-0820</p>	<p>BY: PKR</p>	<p>72" (1800) I.D. x 36" (914) HEIGHT MANHOLE BARREL</p>	<p>ITEM NO.</p>
		<p>DATE: FEB 8 05</p>		<p>783</p>
		<p>SCALE: NTS</p>		



NOTE:
c/w 3-6 3/4" LIFTING
ANCHORS FOR HANDLING

ISOMETRIC




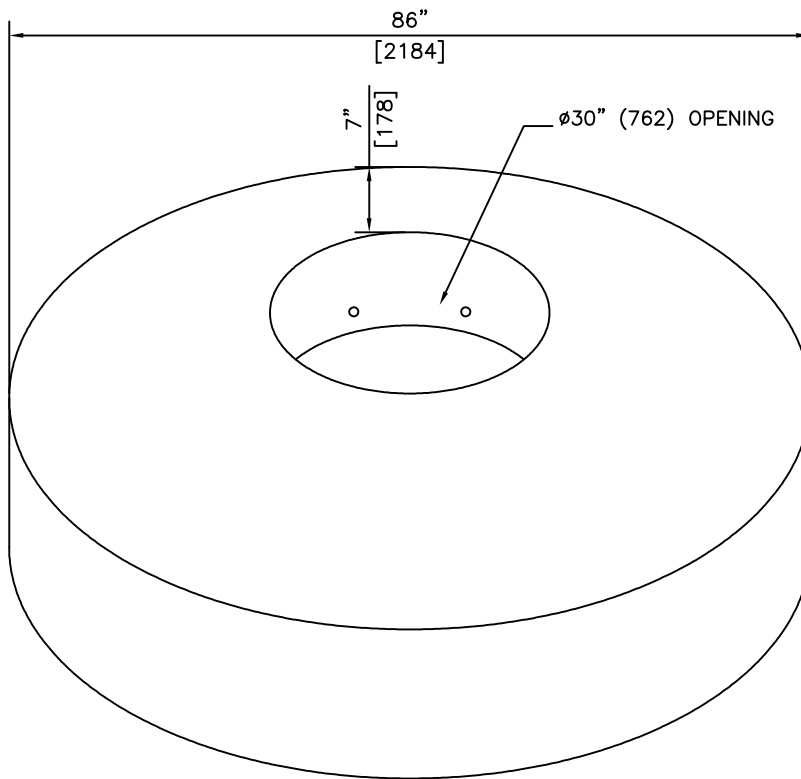
SECTION

NOTES:

- 1) MEETS OR EXCEEDS ASTM C478
- 2) 27.6 MPa @ 28 DAYS
- 3) MEETS H-20 LOADING

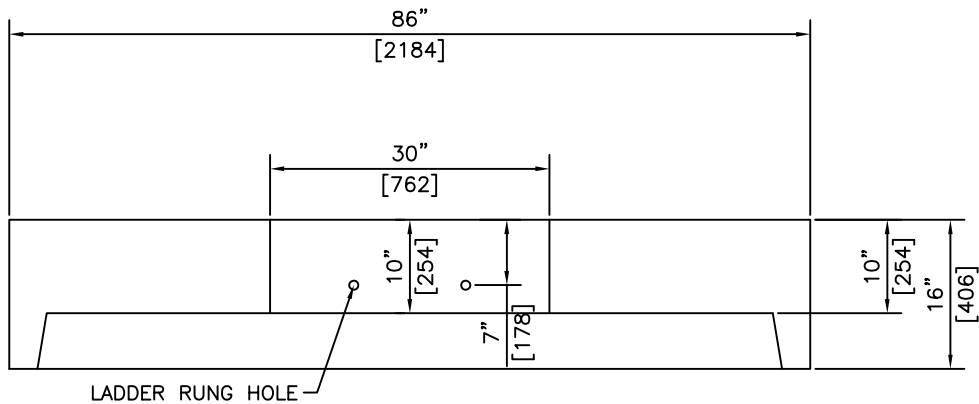
REVISED: MAR 17 2010

 <p>KON KAST products (2005) Ltd. "Committed To Quality And Service"</p>	<p>3440 UNIVERSITY WAY KELOWNA B.C. V1V 1V9 PH: (250)765-1423 FX: (250)765-0820</p>	BY: PKR	<p>86" (2184) O.D. LID Ø25" (635) OPENING FOR 72" (1800) BARREL</p>	ITEM NO.
		DATE: FEB 8 05		<p>784</p>
		SCALE: NTS		



ISOMETRIC

NOTE:
c/w 3-6 3/4" LIFTING
ANCHORS FOR HANDLING




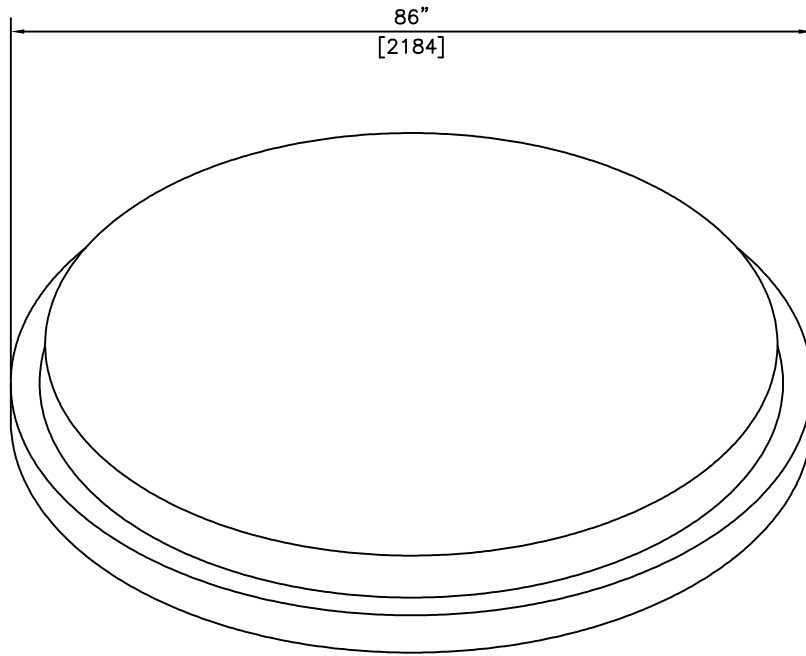
SECTION

NOTES:

- 1) MEETS OR EXCEEDS ASTM C478
- 2) 27.6 MPa @ 28 DAYS
- 3) MEETS H-20 LOADING

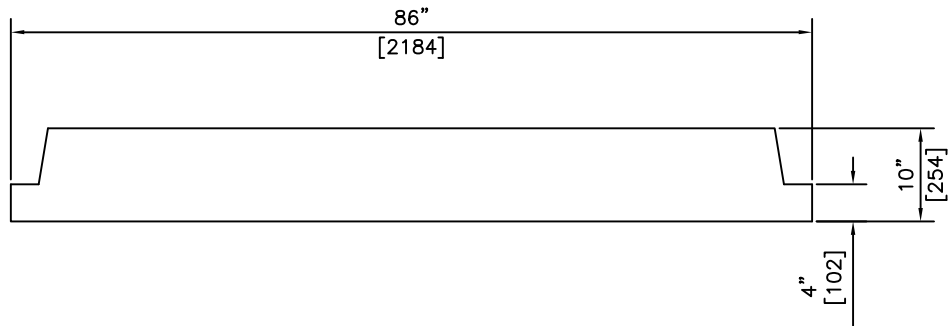
REVISED: JAN 9 2008

 <p>KON KAST products (2005) Ltd. "Committed To Quality And Service"</p>	<p>3440 UNIVERSITY WAY KELOWNA B.C. V1V 1V9 PH: (250)765-1423 FX: (250)765-0820</p>	BY: PKR	<p>86" (2184) O.D. LID Ø30" (762) OPENING FOR 72" (1800) BARREL</p>	ITEM NO.
		DATE: FEB 8 05		<p>785</p>
		SCALE: NTS		



NOTE:
c/w 3-6 3/4" LIFTING
ANCHORS FOR HANDLING

ISOMETRIC




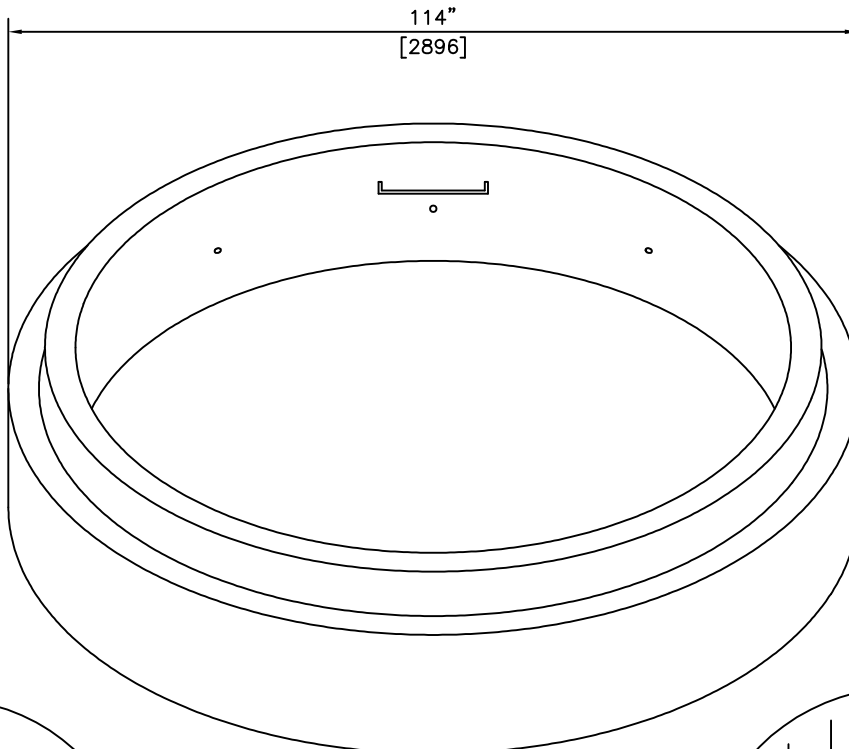
SECTION

NOTES:

- 1) MEETS OR EXCEEDS ASTM C-478
- 2) 27.6 MPa @ 28 DAYS
- 3) MEETS H-20 LOADING

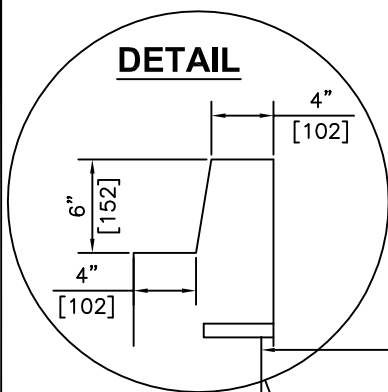
REVISED: JAN 9 2008

 <p>KON KAST products (2005) Ltd. "Committed To Quality And Service"</p>	<p>3440 UNIVERSITY WAY KELOWNA B.C. V1V 1V9 PH: (250)765-1423 FX: (250)765-0820</p>	BY: PKR	<p>86" O.D. (2184) O.D. BASE FOR 72" (1800) BARREL</p>	ITEM NO.
		DATE: FEB 9 05		<p>786</p>
		SCALE: NTS		

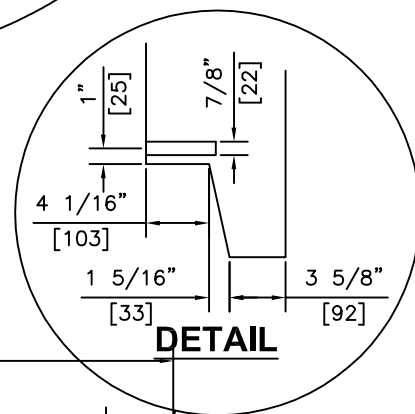


ISOMETRIC

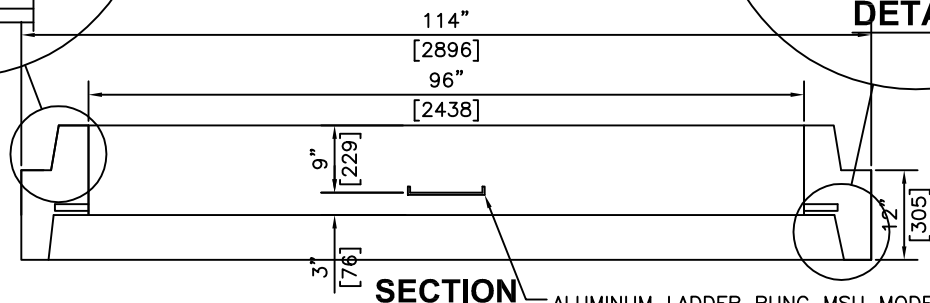
NOTE:
c/w 4-4 3/4" (4T) LIFTING
ANCHORS FOR HANDLING



DETAIL



DETAIL



SECTION

ALUMINUM LADDER RUNG MSU MODEL #350
4" (102) FROM WALL AT POINT OF EMBEDMENT

NOTES:

- 1) MEETS OR EXCEEDS ASTM C-478
- 2) 27.6 MPa @ 28 DAYS
- 3) MEETS H-20 LOADING

REVISED: JAN 9 2008



KON KAST
products (2005) Ltd.

"Committed To Quality And Service"

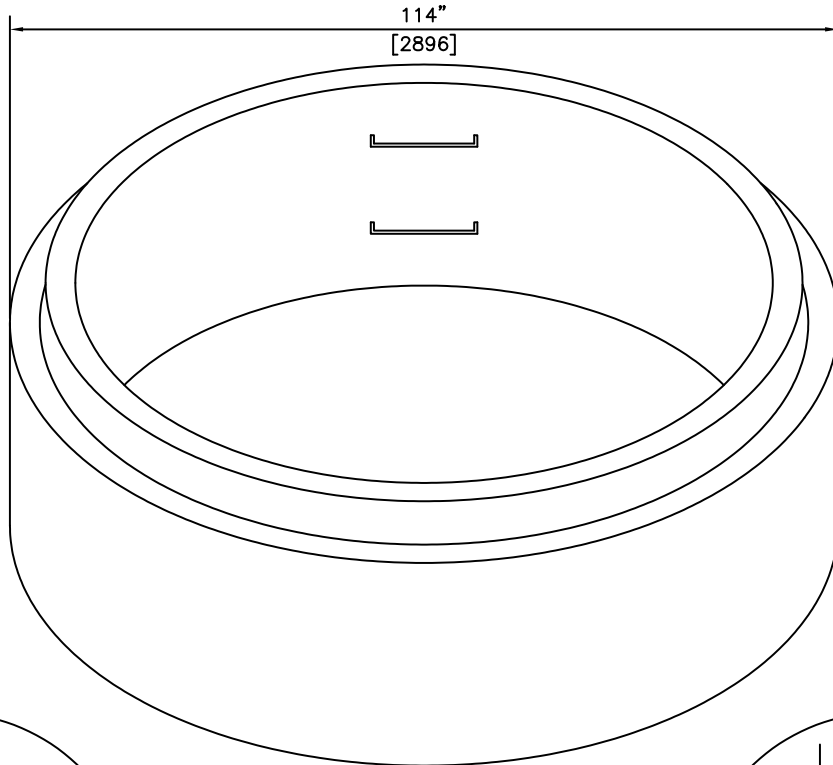
3440 UNIVERSITY WAY
KELOWNA B.C.
V1V 1V9
PH: (250)765-1423
FX: (250)765-0820

BY: PKR
DATE: SEP 11 06
SCALE: NTS

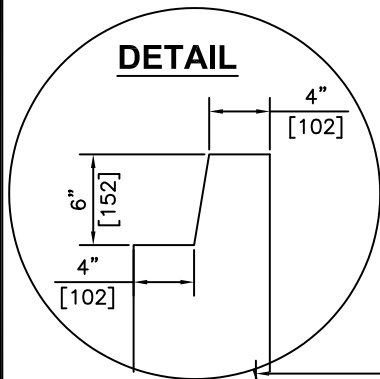
96" (2400) I.D.
x 12" (305) HEIGHT
MANHOLE BARREL

ITEM NO.

787

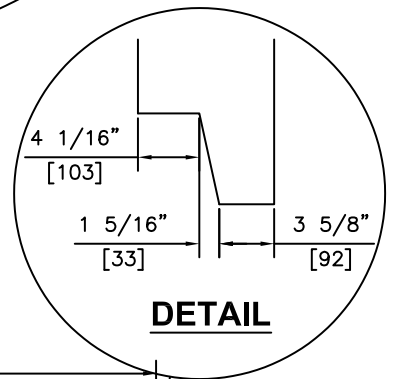


ISOMETRIC

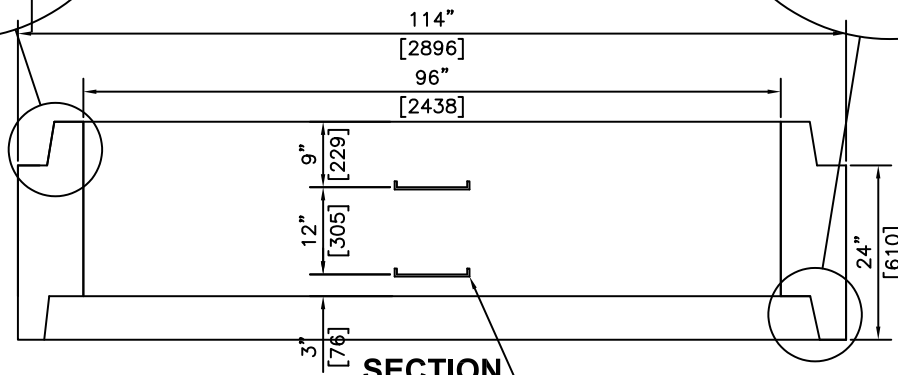


DETAIL

NOTE:
c/w 4-4 3/4" (4T) LIFTING
ANCHORS FOR HANDLING



DETAIL



SECTION

ALUMINUM LADDER RUNG MSU MODEL #350
4" (102) FROM WALL AT POINT OF EMBEDMENT

NOTES:

- 1) MEETS OR EXCEEDS ASTM C-478
- 2) 27.6 MPa @ 28 DAYS
- 3) MEETS H-20 LOADING

REVISED: JAN 9 2008



KON KAST

products (2005) Ltd.
"Committed To Quality And Service"

3440 UNIVERSITY WAY
KELOWNA B.C.
V1V 1V9
PH: (250)765-1423
FX: (250)765-0820

BY: PKR

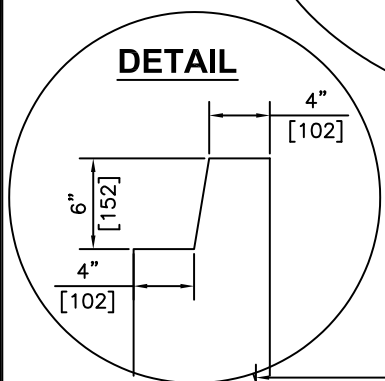
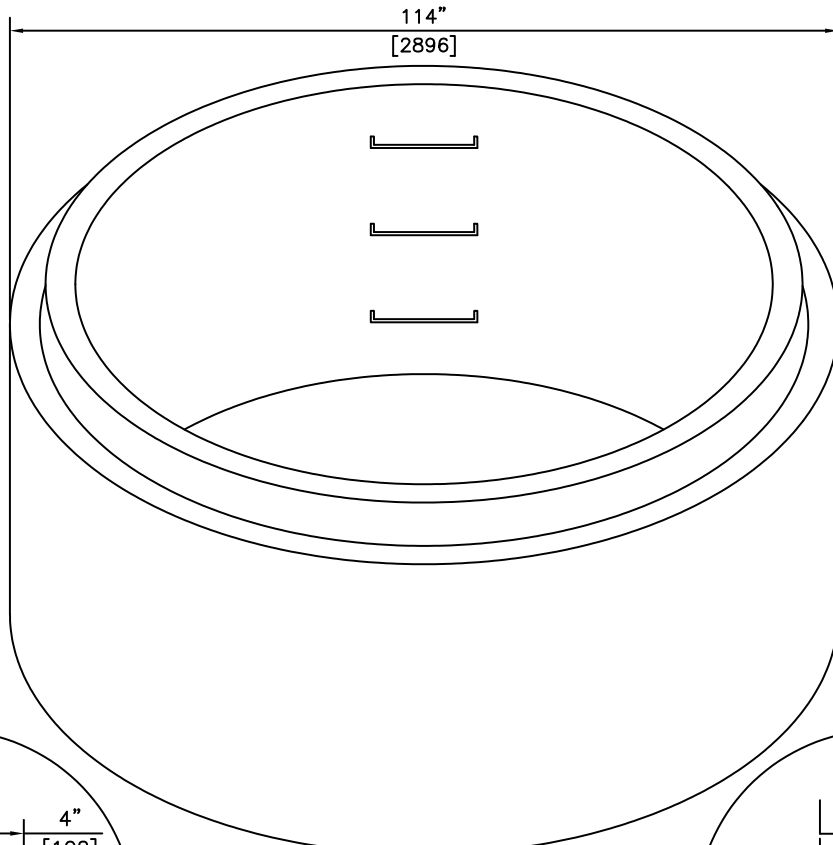
DATE: SEP 11 06

SCALE: NTS

96" (2400) I.D.
x 24" (610) HEIGHT
MANHOLE BARREL

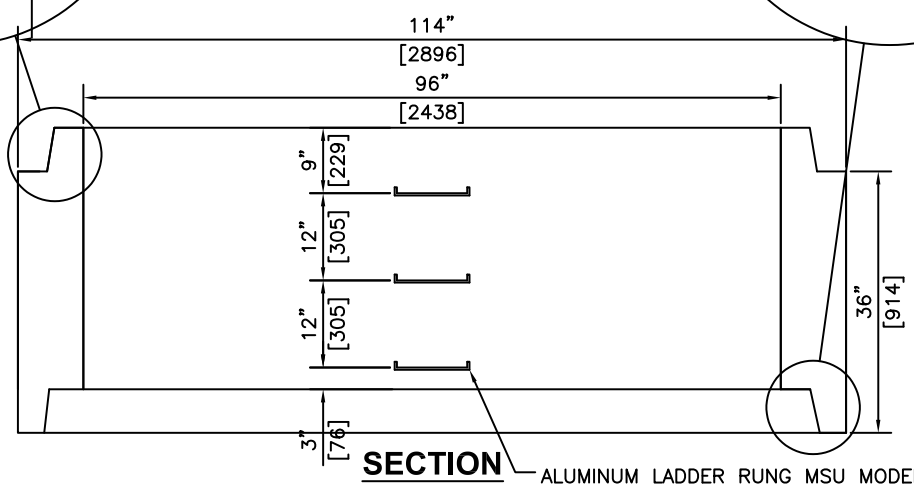
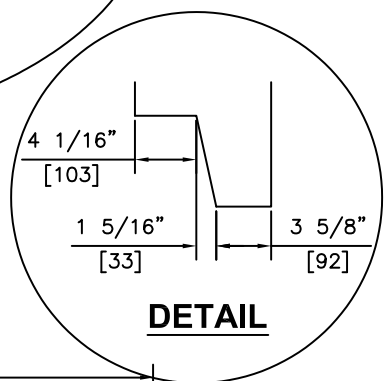
ITEM NO.

788



ISOMETRIC

NOTE:
c/w 4-4 3/4" (4T) LIFTING
ANCHORS FOR HANDLING




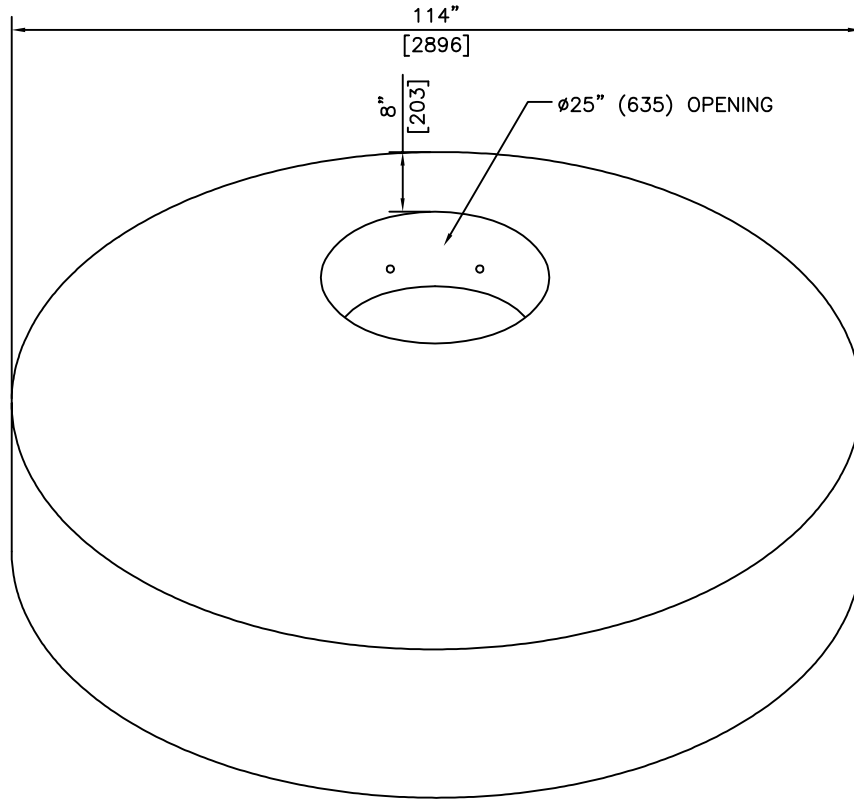
SECTION

ALUMINUM LADDER RUNG MSU MODEL #350
4" (102) FROM WALL AT POINT OF EMBEDMENT

- NOTES:**
- 1) MEETS OR EXCEEDS ASTM C-478
 - 2) 27.6 MPa @ 28 DAYS
 - 3) MEETS H-20 LOADING

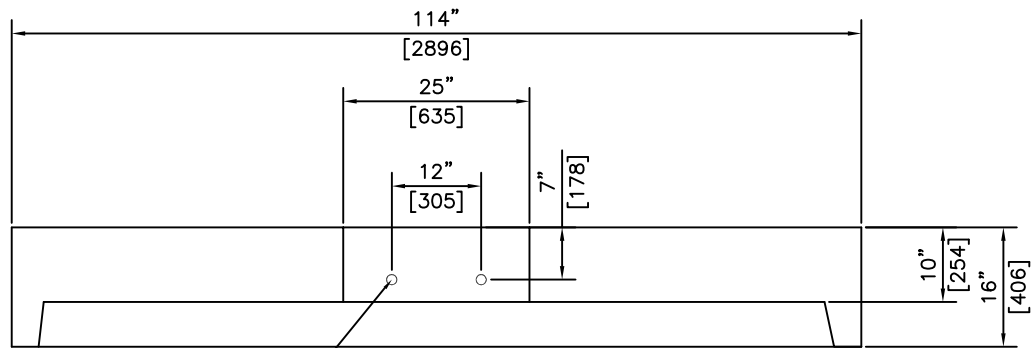
REVISED: JAN 9 2008

 <p>KON KAST products (2005) Ltd. "Committed To Quality And Service"</p>	<p>3440 UNIVERSITY WAY KELOWNA B.C. V1V 1V9 PH: (250)765-1423 FX: (250)765-0820</p>	BY: PKR	<p>96" (2400) I.D. x 36" (915) HEIGHT MANHOLE BARREL</p>	ITEM NO.
		DATE: SEP 11 06		<p>789</p>
		SCALE: NTS		



ISOMETRIC

NOTE:
c/w 4-4 3/4" (4T) LIFTING
ANCHORS FOR HANDLING




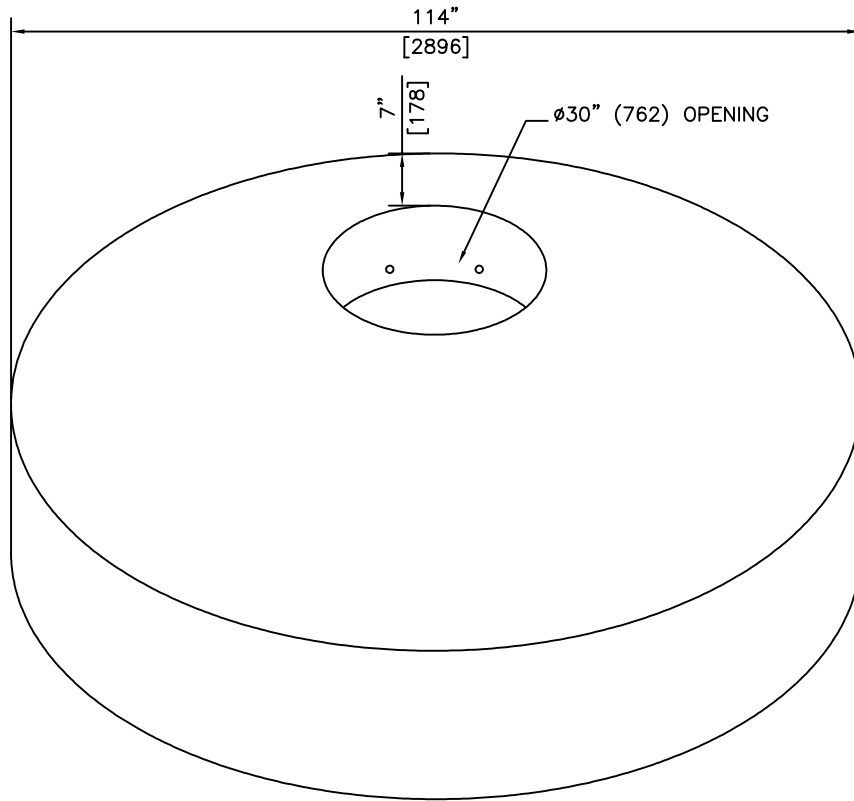
LADDER HOLES **SECTION**

NOTES:

- 1) MEETS OR EXCEEDS ASTM C-478
- 2) 27.6 MPa @ 28 DAYS
- 3) MEETS H-20 LOADING

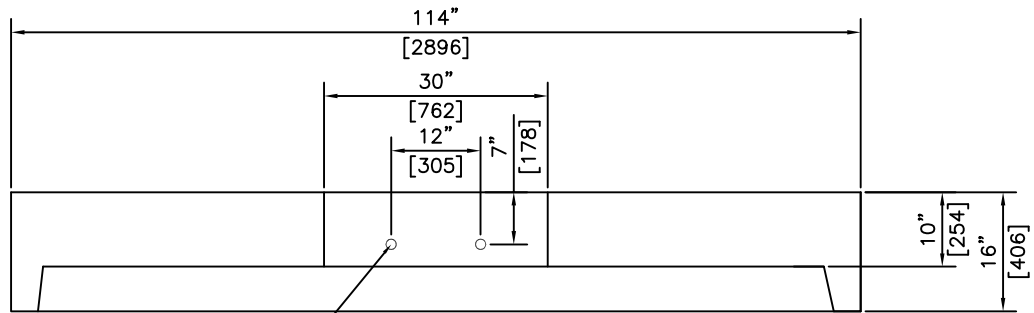
REVISED: MAR 17 2010

 <p>KON KAST products (2005) Ltd. "Committed To Quality And Service"</p>	<p>3440 UNIVERSITY WAY KELOWNA B.C. V1V 1V9 PH: (250)765-1423 FX: (250)765-0820</p>	BY: PKR	<p>114" (2900) O.D. LID Ø25" (635) OPENING FOR 96" (2400) BARREL</p>	ITEM NO.
		DATE: SEP 11 06		<p>790</p>
		SCALE: NTS		



ISOMETRIC

NOTE:
c/w 4-4 3/4" (4T) LIFTING
ANCHORS FOR HANDLING




LADDER HOLES

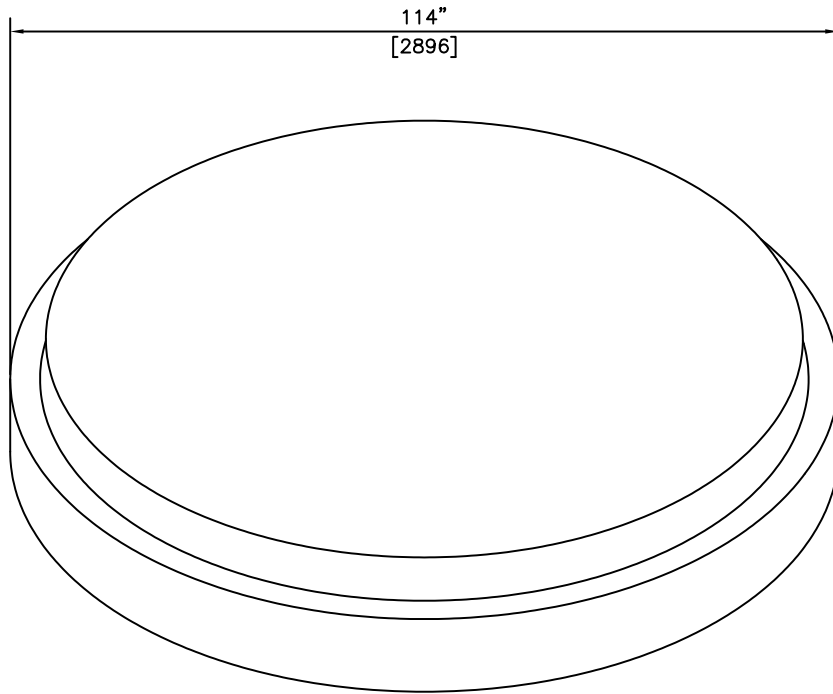
SECTION

NOTES:

- 1) MEETS OR EXCEEDS ASTM C-478
- 2) 27.6 MPa @ 28 DAYS
- 3) MEETS H-20 LOADING

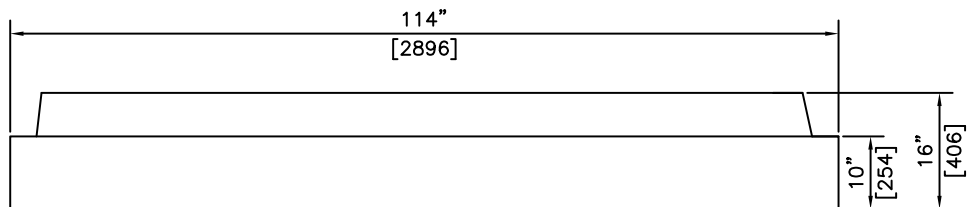
REVISED: MAR 17 2010

 <p>KON KAST products (2005) Ltd. "Committed To Quality And Service"</p>	<p>3440 UNIVERSITY WAY KELOWNA B.C. V1V 1V9 PH: (250)765-1423 FX: (250)765-0820</p>	BY: PKR	<p>114" (2900) O.D. LID Ø30" (762) OPENING FOR 96" (2400) BARREL</p>	ITEM NO.
		DATE: SEP 13 06		<p>791</p>
		SCALE: NTS		



ISOMETRIC

NOTE:
c/w 4-4 3/4" (4T) LIFTING
ANCHORS FOR HANDLING



SECTION

NOTES:

- 1) MEETS OR EXCEEDS ASTM C-478
- 2) 27.6 MPa @ 28 DAYS
- 3) MEETS H-20 LOADING

REVISED: JAN 9 2008



KON KAST

products (2005) Ltd.
"Committed To Quality And Service"

3440 UNIVERSITY WAY
KELOWNA B.C.
V1V 1V9
PH: (250)765-1423
FX: (250)765-0820

BY: PKR

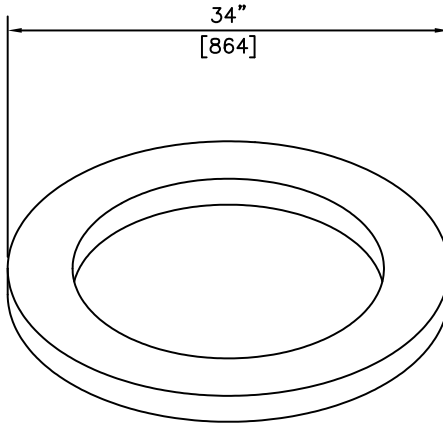
DATE: SEP 13 06

SCALE: NTS

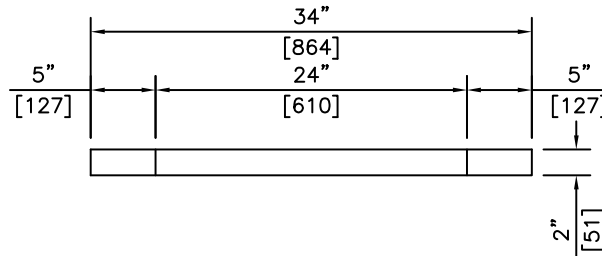
**114" (2900)
O.D. BASE FOR
96" (2400) BARREL**

ITEM NO.

792



ISOMETRIC



SECTION

NOTES:

- 1) MEETS OR EXCEEDS ASTM C478
- 2) 27.6 MPa @ 28 DAYS
- 3) MEETS H-20 LOADING

REVISED: FEB 9 2005



"Committed To Quality And Service"

KON KAST

products (2005) Ltd.

3440 UNIVERSITY WAY
KELOWNA B.C.
V1V 1V9

PH: (250)765-1423
FX: (250)765-0820

BY: PKR

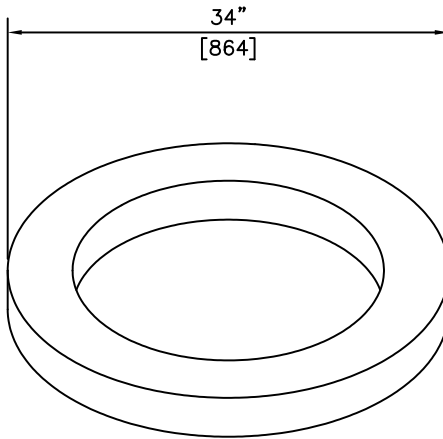
DATE: FEB 9 05

SCALE: NTS

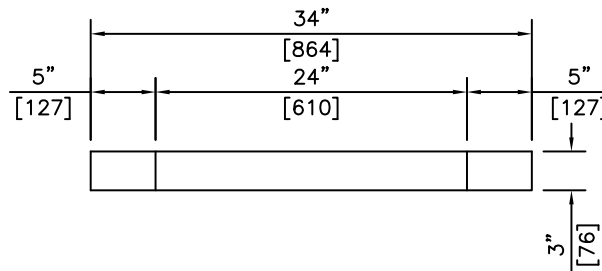
**2" (51) THICK
GRADE RING
Ø 24" (610) OPENING**

ITEM NO.

794



ISOMETRIC



SECTION

NOTES:

- 1) MEETS OR EXCEEDS ASTM C478
- 2) 27.6 MPa @ 28 DAYS
- 3) MEETS H-20 LOADING

REVISED: FEB 9 2005



"Committed To Quality And Service"

KON KAST

products (2005) Ltd.

3440 UNIVERSITY WAY
KELOWNA B.C.
V1V 1V9

PH: (250)765-1423

FX: (250)765-0820

BY: PKR

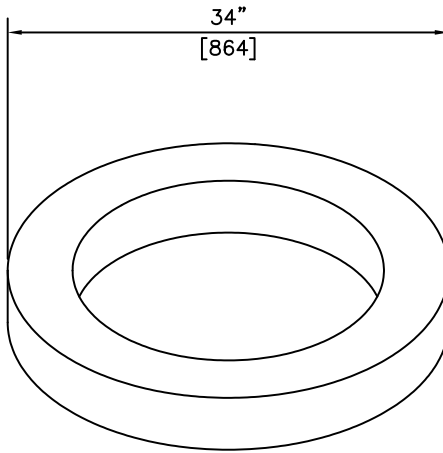
DATE: FEB 9 05

SCALE: NTS

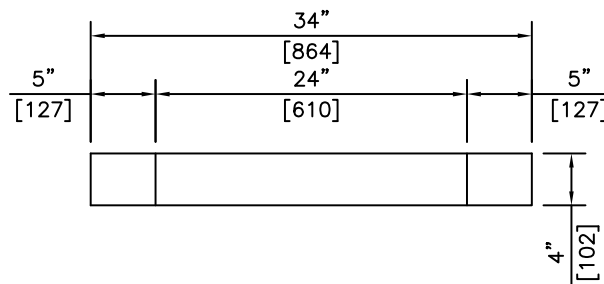
**3" (76) THICK
GRADE RING
Ø 24" (610) OPENING**

ITEM NO.

795



ISOMETRIC



SECTION

NOTES:

- 1) MEETS OR EXCEEDS ASTM C478
- 2) 27.6 MPa @ 28 DAYS
- 3) MEETS H-20 LOADING

REVISED: FEB 9 2005



"Committed To Quality And Service"

KON KAST

products (2005) Ltd.

3440 UNIVERSITY WAY
KELOWNA B.C.
V1V 1V9

PH: (250)765-1423
FX: (250)765-0820

BY: PKR

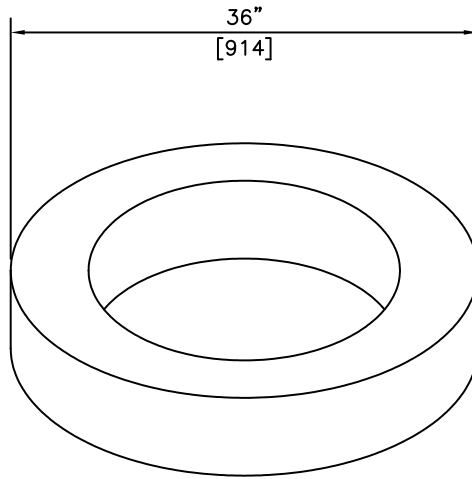
DATE: FEB 9 05

SCALE: NTS

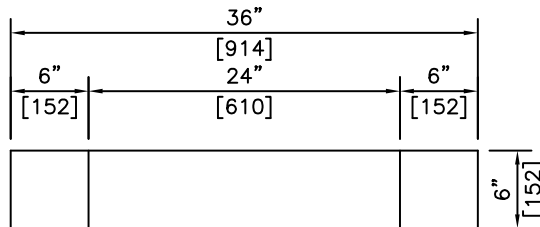
**4" (102) THICK
GRADE RING
Ø 24" (610) OPENING**

ITEM NO.

796



ISOMETRIC



SECTION

NOTES:

- 1) MEETS OR EXCEEDS ASTM C478
- 2) 27.6 MPa @ 28 DAYS
- 3) MEETS H-20 LOADING

REVISED: FEB 9 2005



KON KAST
products (2005) Ltd.

"Committed To Quality And Service"

3440 UNIVERSITY WAY
KELOWNA B.C.
V1V 1V9

PH: (250)765-1423
FX: (250)765-0820

BY: PKR

DATE: FEB 9 05

SCALE: NTS

**6" (152) THICK
GRADE RING
Ø 24" (610) OPENING**

ITEM NO.

797