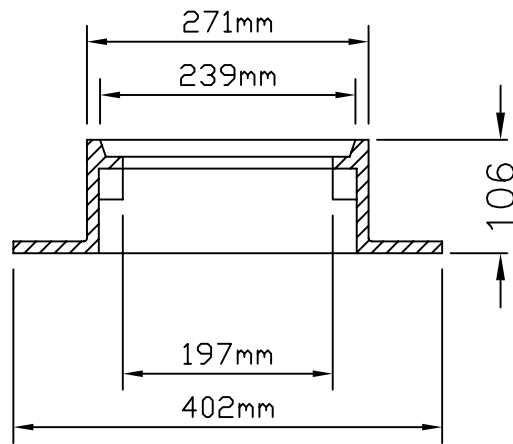
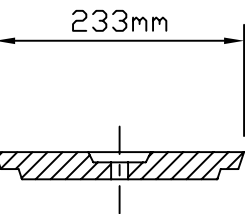
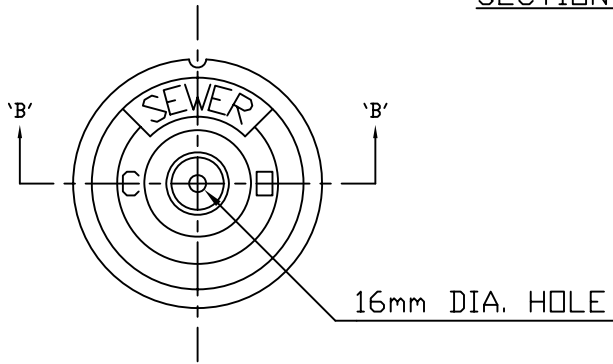


PLAN

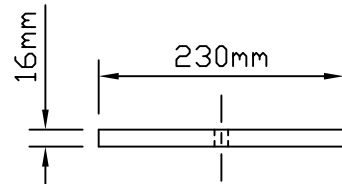
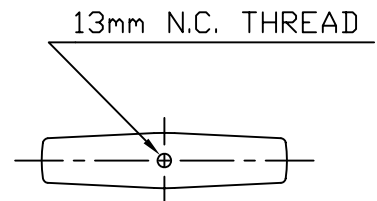


SECTION A-A



16mm

SECTION B-B



LOCKING BAR

APPROX. WT.
27KG

DOBNEY		DOBNEY FOUNDRY LTD. SURREY B.C.	
RATING-HWY LOAD			
200 CLEANOUT		NO. D-14A	