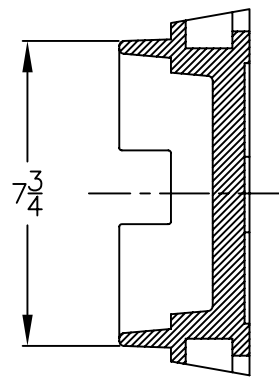
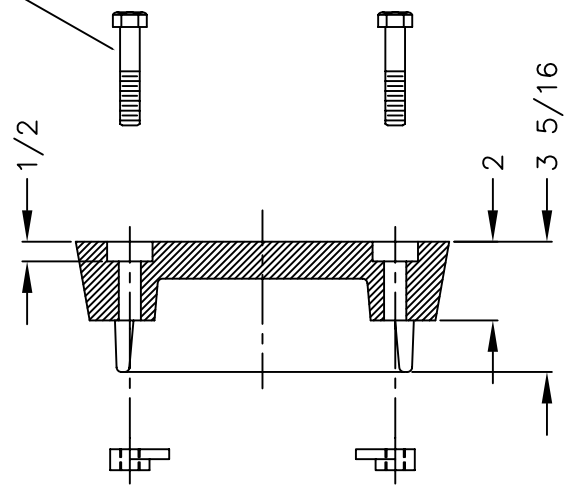


1" HIGH LETTERING

1/2" x 2 3/4"
STAINLESS STEEL
BOLTS 2 PLACES




SECTION B-B



SECTION C-C



LOCKING TAB CAST BRASS

 DOBNEY FOUNDRY LTD. SURREY B.C.	
RATING—HWY LOAD	
VALVE BOX LID	NO. MR-8