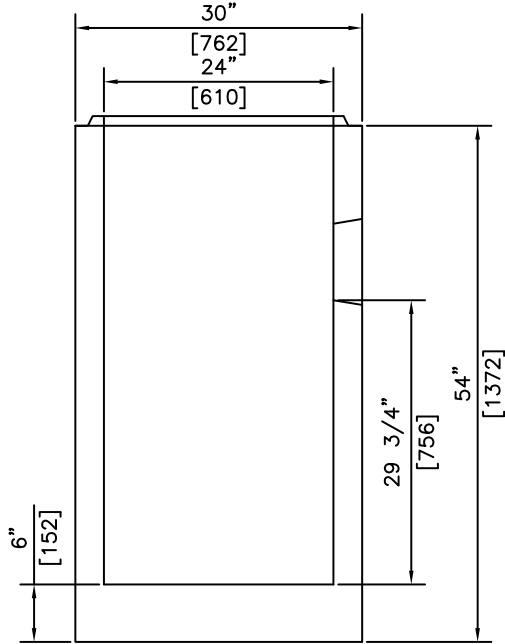
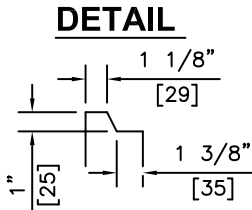


NOTE:
c/w 2-2 3/16" UNI-LIFT
ANCHORS FOR HANDLING

ISOMETRIC



SECTION



DETAIL

THIS CATCHBASIN IS NOT A
MONOLITHIC UNIT. THE BASE IS
POURED INTO THE BARREL.
10M REBAR IS ANCHORED INTO
THE WALL FOR REINFORCEMENT.

REVISED: MAR 31 2006

NOTES:

- 1) MEETS OR EXCEEDS ASTM C478
- 2) 27.6 MPa @ 28 DAYS
- 3) MEETS H-20 LOADING

KON KAST
products (2005) Ltd.
"Committed To Quality And Service"

3440 UNIVERSITY WAY
KELOWNA B.C.
V1V 1V9
PH: (250)765-1423
FX: (250)765-0820

BY: PKR
DATE: FEB 9 05
SCALE: NTS

24" (600) I.D.
CATCH BASIN
54" (1372) HEIGHT

ITEM NO.
801D