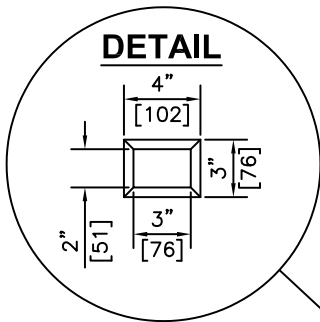
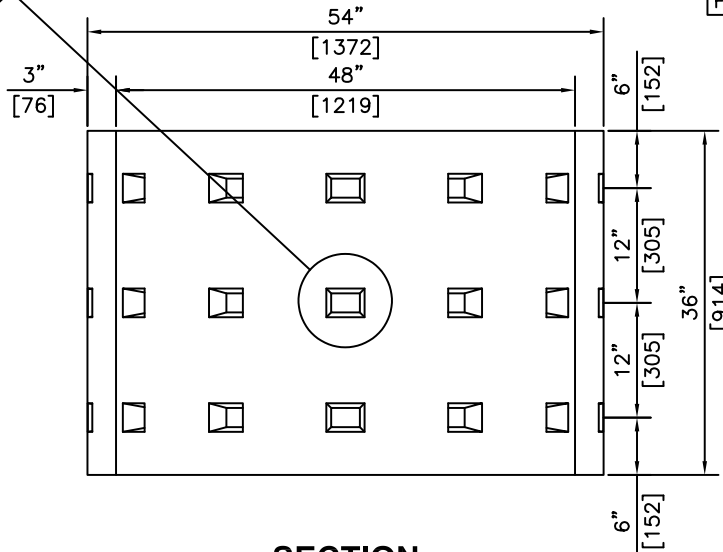


TOTAL OF 39 HOLES

ISOMETRIC



NOTE:
HOLE SIZE FOR $\phi 1\frac{1}{4}$ " LIFTING PINS = $\phi 1\frac{1}{4}$ "



SECTION

NOTES:

1) 25 MPa @ 28 DAYS

REVISED: FEB 7 2005

KON KAST
products (2005) Ltd.
"Committed To Quality And Service"

3440 UNIVERSITY WAY
KELOWNA B.C.
V1V 1V9
PH: (250)765-1423
FX: (250)765-0820

BY: PKR
DATE: FEB 7 05
SCALE: NTS

Ø48" (1219)
DRAINAGE DRYWELL
x 36" (914) HEIGHT

ITEM NO.
604