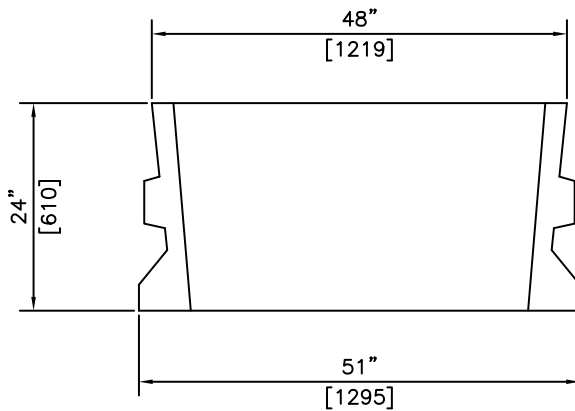
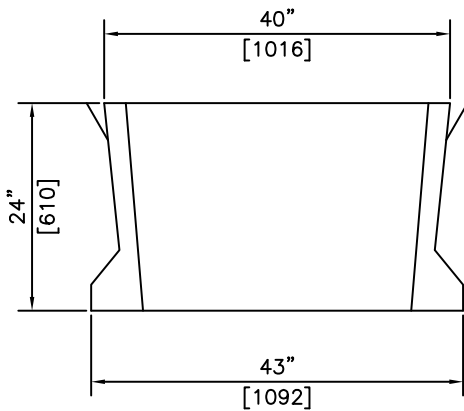


LIFTING SUPPORTS or  
 ø5/16" G.A.C.  
 LIFTING CABLES

**ISOMETRIC**



**SECTIONS**

**NOTES:**

- 1) 27.6 MPa @ 28 DAYS
- 2) MEETS H-20 LOADING

REVISED: MAY 3 2006



**KON KAST**  
 products (2005) Ltd.

"Committed To Quality And Service"

3440 UNIVERSITY WAY  
 KELOWNA B.C.  
 V1V 1V9  
 PH: (250)765-1423  
 FX: (250)765-0820

BY: PKR

DATE: FEB 18 05

SCALE: NTS

**40 x 48 TRANSFORMER  
 SUPPORT BOX  
 WITHOUT UNISTRUT**

ITEM NO.

**1030**