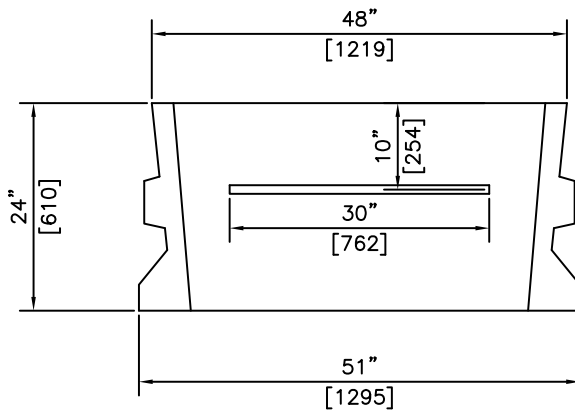
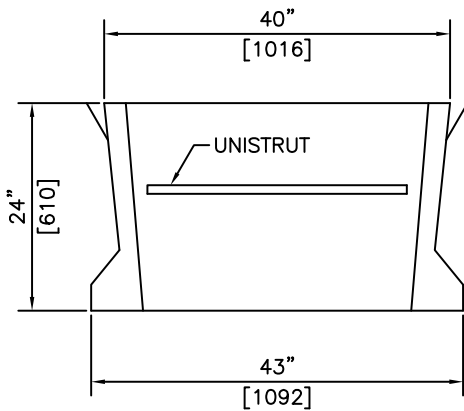


ISOMETRIC




SECTIONS

NOTES:

- 1) 27.6 MPa @ 28 DAYS
- 2) MEETS H-20 LOADING

REVISED: MAY 3 2006

 KON KAST products (2005) Ltd. "Committed To Quality And Service"	3440 UNIVERSITY WAY KELOWNA B.C. V1V 1V9 PH: (250)765-1423 FX: (250)765-0820	BY: PKR DATE: FEB 21 05 SCALE: NTS	40 x 48 TRANSFORMER SUPPORT BOX WITH UNISTRUT	ITEM NO. 1031