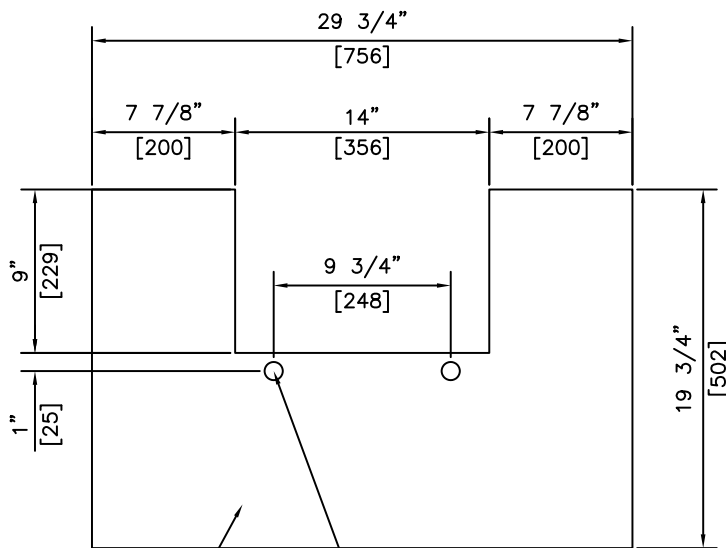


ISOMETRIC



1/4" (6) PLATE STEEL LID (FILLER) — $\varnothing 9/16"$ (14) HOLES

PLAN

NOTES:

1) MEETS H-20 LOADING

REVISED: FEB 21 2005



KON KAST
products (2005) Ltd.
"Committed To Quality And Service"

3440 UNIVERSITY WAY
KELOWNA B.C.
V1V 1V9
PH: (250)765-1423
FX: (250)765-0820

BY: PKR
DATE: FEB 21 05
SCALE: NTS

40" x 48" (1016x1219)
LID No.4
(37KV_a FILLER)

ITEM NO.
1039