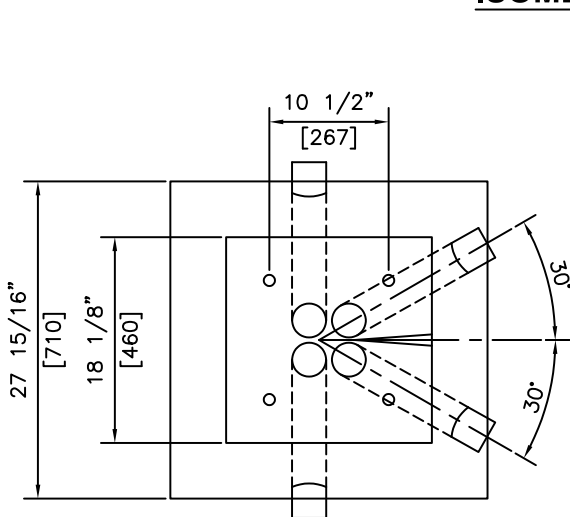
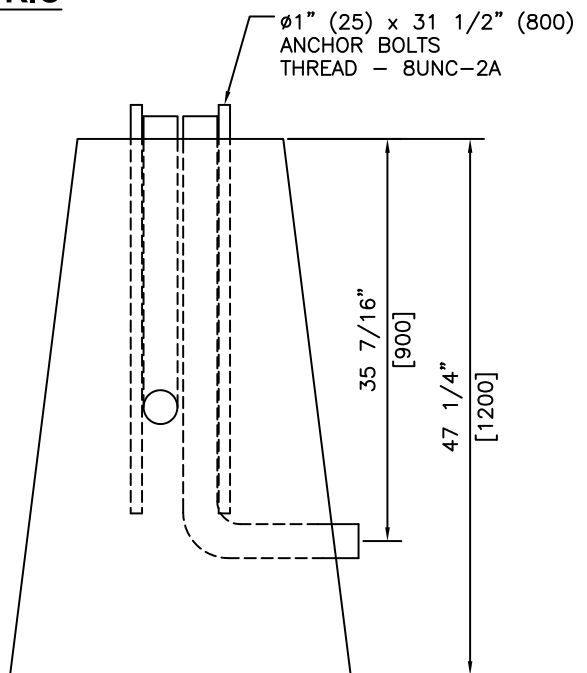


ISOMETRIC



PLAN



ELEVATION

NOTES:

1) 27.6 MPa @ 28 DAYS

REVISED: FEB 22 2005



KON KAST
products (2005) Ltd.
"Committed To Quality And Service"

3440 UNIVERSITY WAY
KELOWNA B.C.
V1V 1V9
PH: (250)765-1423
FX: (250)765-0820

BY: PKR

DATE: FEB 22 05

SCALE: NTS

TYPE E-11

LIGHT STANDARD BASE
PEN STOCK #21-01-014

ITEM NO.

1048