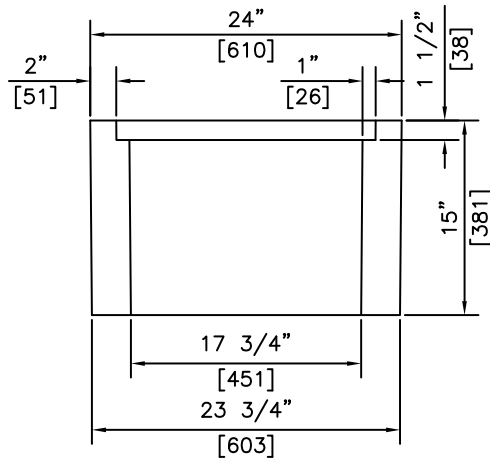


**ISOMETRIC**



**SECTION**

NOTE: CUSTOMER TO USE A SPREADER AND TWO (2) TAIL CHAIN OR CHIPPING AND CRACKING MAY OCCUR

**NOTES:**

- 1) MEETS H-20 LOADING
- 2) 30 MPa @ 28 DAYS

REVISED: MAR 28 2006



**KON KAST**

products (2005) Ltd.  
"Committed To Quality And Service"

3440 UNIVERSITY WAY  
KELOWNA B.C.  
V1V 1V9  
PH: (250)765-1423  
FX: (250)765-0820

BY: PKR

DATE: FEB 23 05

SCALE: NTS

**1060**  
**SERVICE / JUNCTION**  
**BOX**

ITEM NO.

**1060**