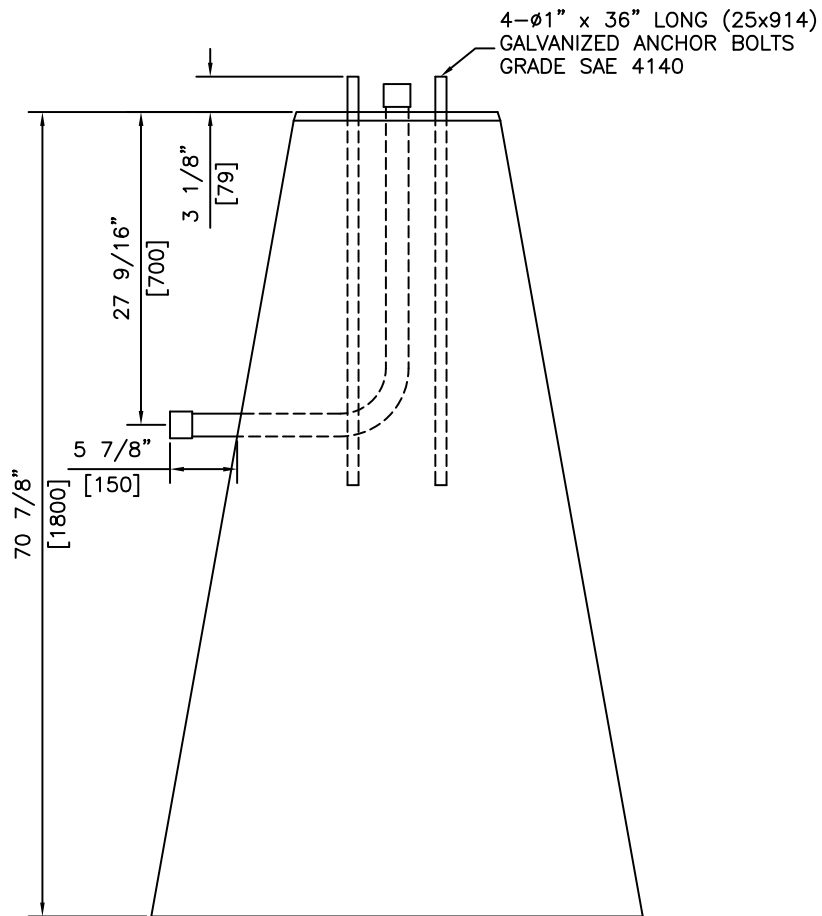


**PLAN**



**SECTION**

**NOTES:**

1) 30 MPa @ 28 DAYS

REVISED: MAR 28 2006



**KON KAST**

products (2005) Ltd.  
"Committed To Quality And Service"

3440 UNIVERSITY WAY  
KELOWNA B.C.  
V1V 1V9  
PH: (250)765-1423  
FX: (250)765-0820

BY: PKR

DATE: FEB 25 05

SCALE: NTS

**TYPE 'E2'  
LIGHT STANDARD  
BASE**

ITEM NO.

**936**