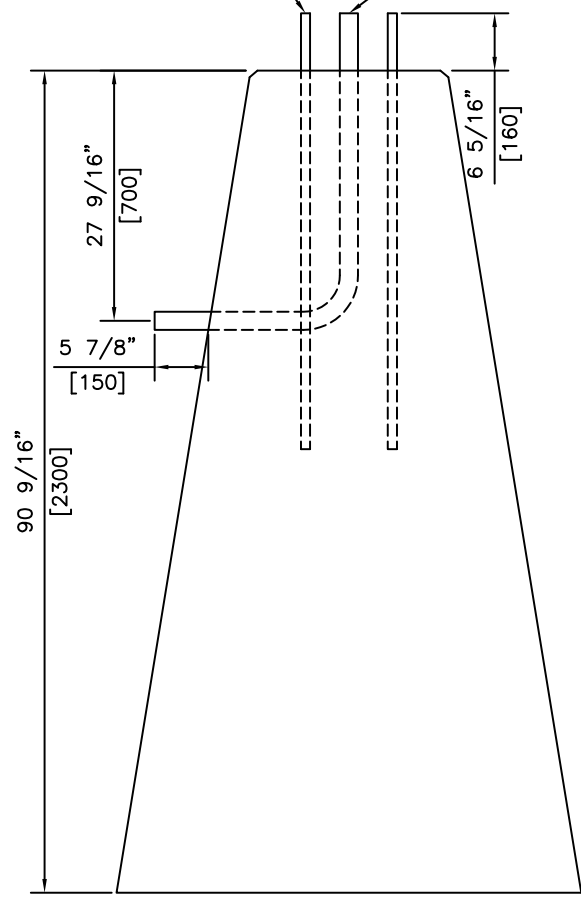


PLAN

4 - \varnothing 1" x 48" LONG (25x1219) GALVANIZED GRADE 150 DYWIDAG BOLTS

\varnothing 2" (51) R.P.V.C. CONDUIT




SECTION

NOTES:

1) 30 MPa @ 28 DAYS

REVISED: FEB 28 2005

 <p>KON KAST products (2005) Ltd. "Committed To Quality And Service"</p>	<p>3440 UNIVERSITY WAY KELOWNA B.C. V1V 1V9 PH: (250)765-1423 FX: (250)765-0820</p>	<p>BY: PKR</p>	<p>TYPE 'F' LIGHT STANDARD BASE</p>	<p>ITEM NO.</p>
		<p>DATE: FEB 28 05</p>		<p>937</p>
		<p>SCALE: NTS</p>		