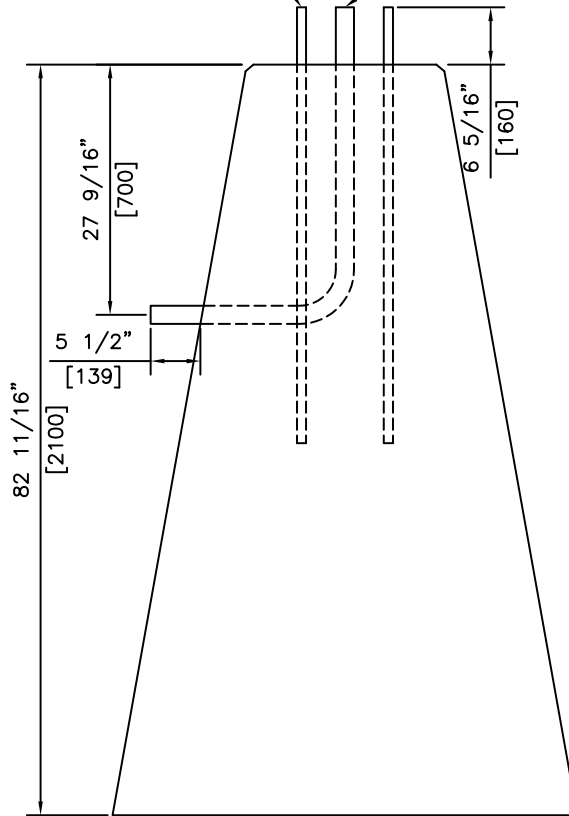


**PLAN**

4 -  $\varnothing 1"$  x 48" LONG (25x1219) GALVANIZED GRADE 150 DYWIDAG BOLTS

$\varnothing 2"$  (51) R.P.V.C. CONDUIT



**SECTION**

**NOTES:**

1) 30 MPa @ 28 DAYS

REVISED: FEB 28 2005



**KON KAST**  
products (2005) Ltd.  
"Committed To Quality And Service"

3440 UNIVERSITY WAY  
KELOWNA B.C.  
V1V 1V9  
PH: (250)765-1423  
FX: (250)765-0820

BY: PKR  
DATE: FEB 28 05  
SCALE: NTS

**TYPE 'S2'**  
**LIGHT STANDARD**  
**BASE**

ITEM NO.  
**937S**