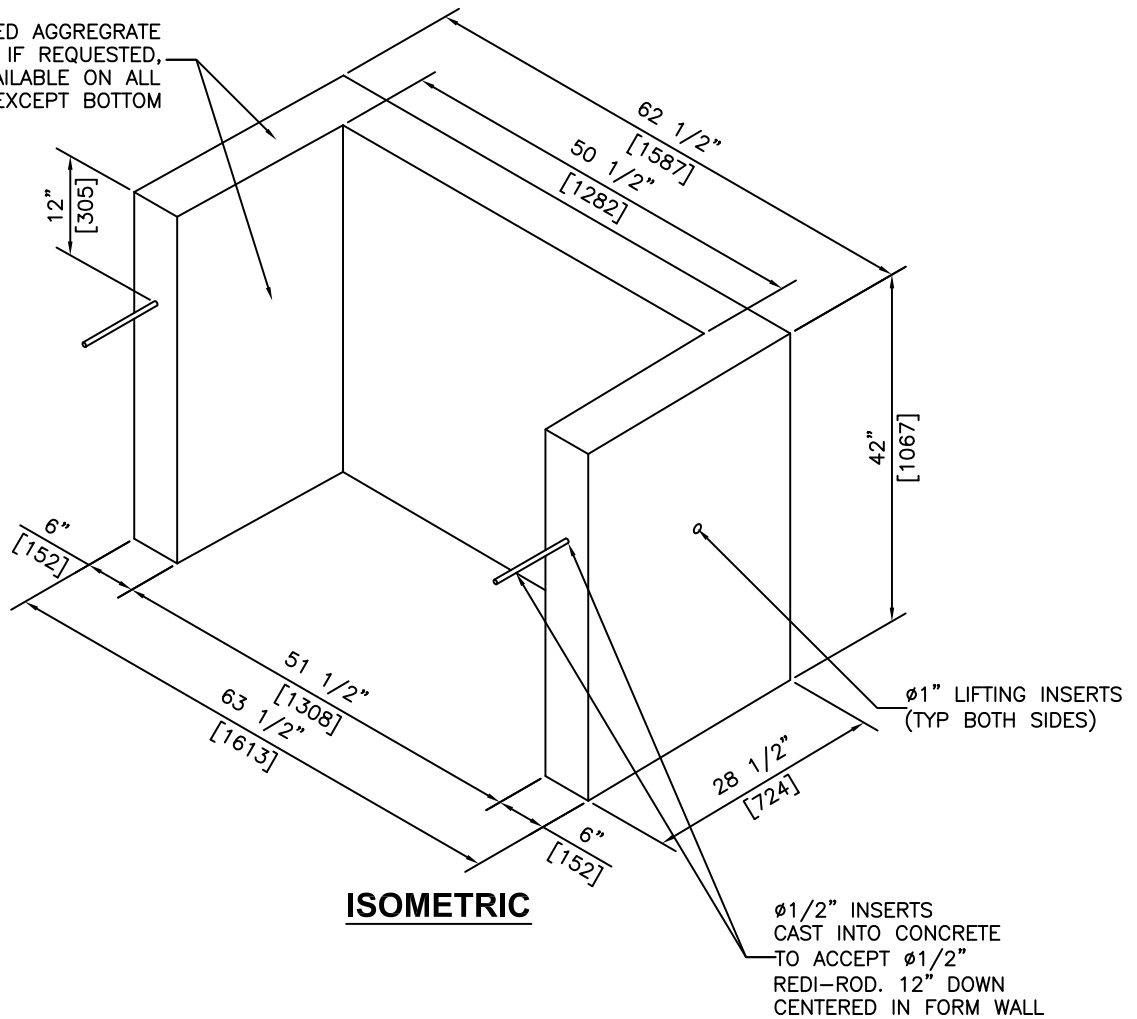


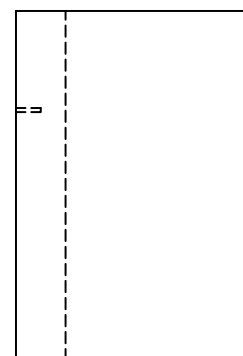
EXPOSED AGGREGATE FINISH, IF REQUESTED, IS AVAILABLE ON ALL SIDES, EXCEPT BOTTOM



**ISOMETRIC**



**REAR ELEVATION**




**SIDE ELEVATION**

**NOTES:**

- 1) 27.6MPa @ 28 DAYS
- 2) AVAILABLE IN EXPOSED AS WELL ITEM # 1460E

REVISED: MAR 10 2005

 <p><b>KON KAST</b> products (2005) Ltd. "Committed To Quality And Service"</p>	<p>3440 UNIVERSITY WAY KELOWNA B.C. V1V 1V9 PH: (250)765-1423 FX: (250)765-0820</p>	BY: PKR	<p><b>PRECAST PLAIN WINDOW WELL</b></p>	ITEM NO.
		DATE: MAR 10 05		<p><b>1460</b></p>
		SCALE: NTS		