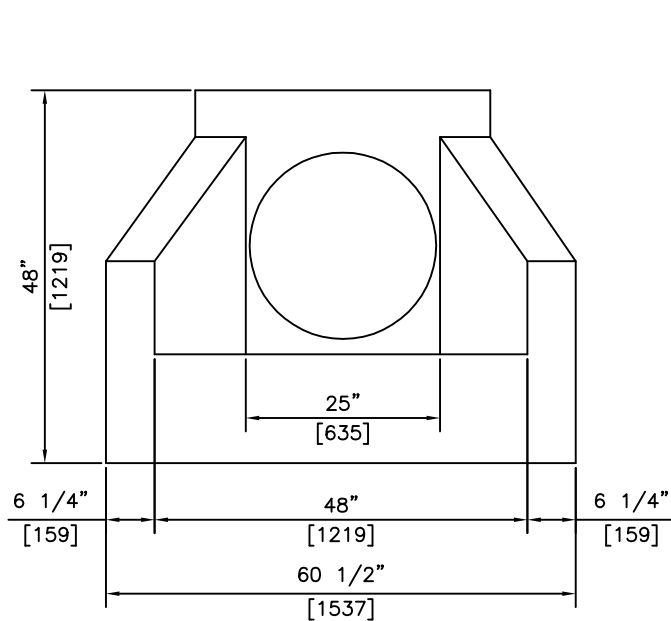
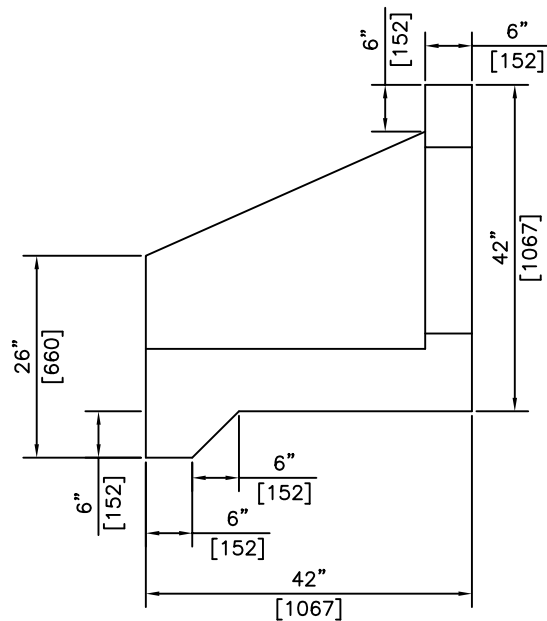


**ISOMETRIC**



**ELEVATION**



**ELEVATION**

**NOTES:**

1) 27.6MPa @ 28 DAYS

REVISED: MAY 18 2009



**KON KAST**  
products (2005) Ltd.

"Committed To Quality And Service"

3440 UNIVERSITY WAY  
KELOWNA B.C.  
V1V 1V9  
PH: (250)765-1423  
FX: (250)765-0820

BY: PKR

DATE: MAR 16 05

SCALE: NTS

**OUTFALL STRUCTURE**

ITEM NO.

**1489**