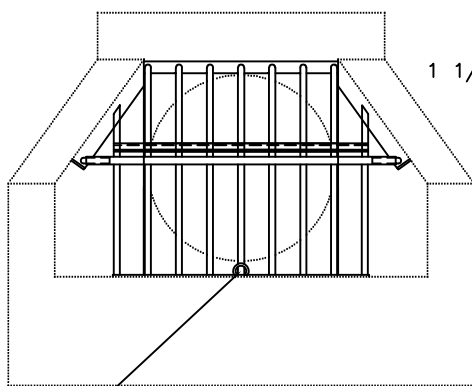
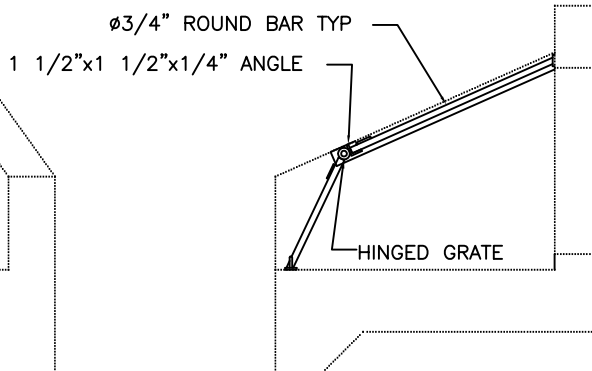


**ISOMETRIC**



ø2" LIFTING HOOP

**FRONT VIEW**



**SIDE VIEW**

**NOTES:**

1) GRATE TO BE HOT DIPPED GALVANIZED

REVISED: NOV 6 2009



**KON KAST**  
products (2005) Ltd.

"Committed To Quality And Service"

3440 UNIVERSITY WAY  
KELOWNA B.C.  
V1V 1V9  
PH: (250)765-1423  
FX: (250)765-0820

BY: PKR  
DATE: MAR 13 06  
SCALE: NTS

**OUTFALL  
STRUCTURE  
HINGED GRATE**

ITEM NO.

**1491**