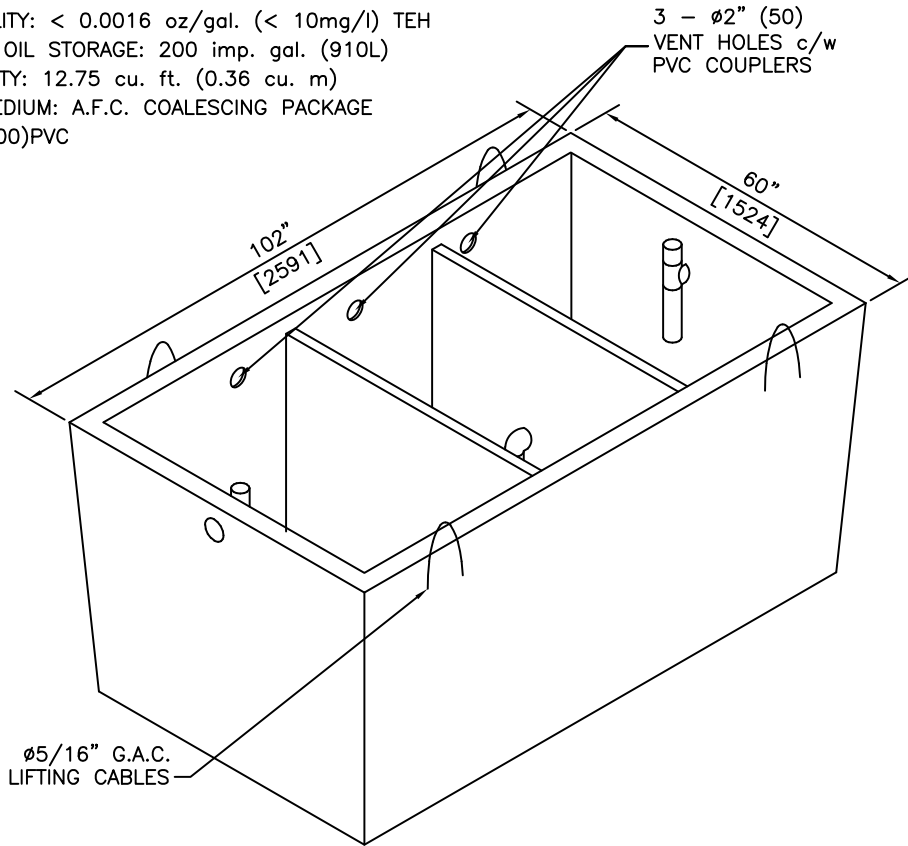
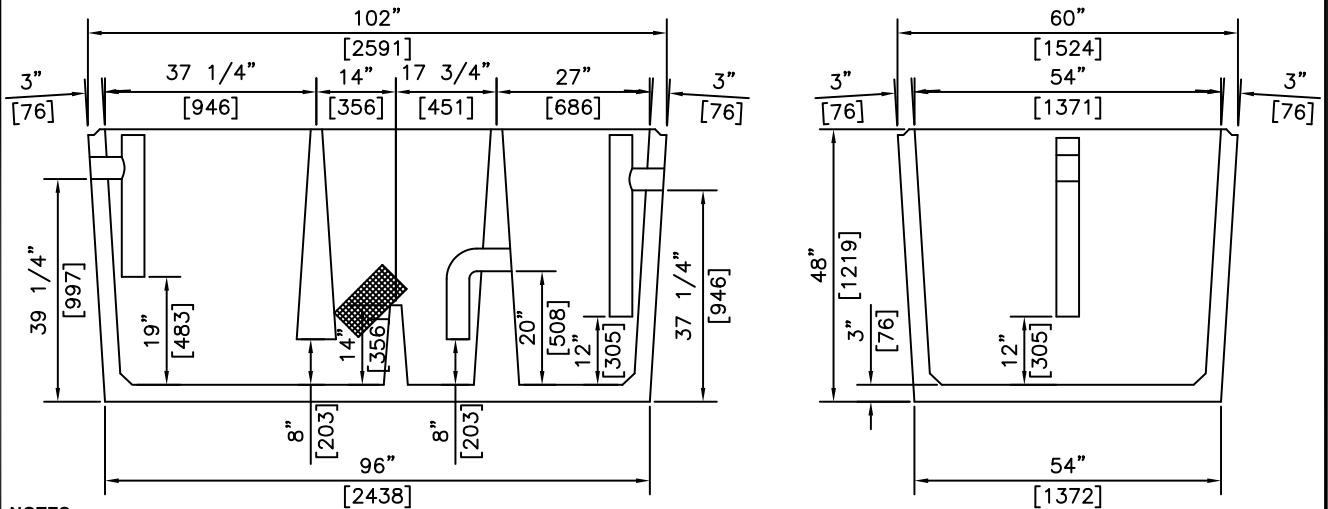


GENERAL NOTES:

- 1) MAXIMUM FLOW RATE 50 G.P.M. (230 l/min)
- 2) INFLUENT TEMP.: 40° F (5° C) & GREATER
- 3) INFLUENT OIL SPECIFIC GRAVITY: < 0.95
- 4) EFFLUENT QUALITY: < 0.0016 oz/gal. (< 10mg/l) TEH
- 5) RECOMMENDED OIL STORAGE: 200 imp. gal. (910L)
- 6) SLUDGE CAPACITY: 12.75 cu. ft. (0.36 cu. m)
- 7) COALESCING MEDIUM: A.F.C. COALESCING PACKAGE
- 8) PIPING: $\phi 4"$ (100)PVC



ISOMETRIC



NOTES:

US PATENT No 6,079,571
CANADIAN PATET No 2,252,307

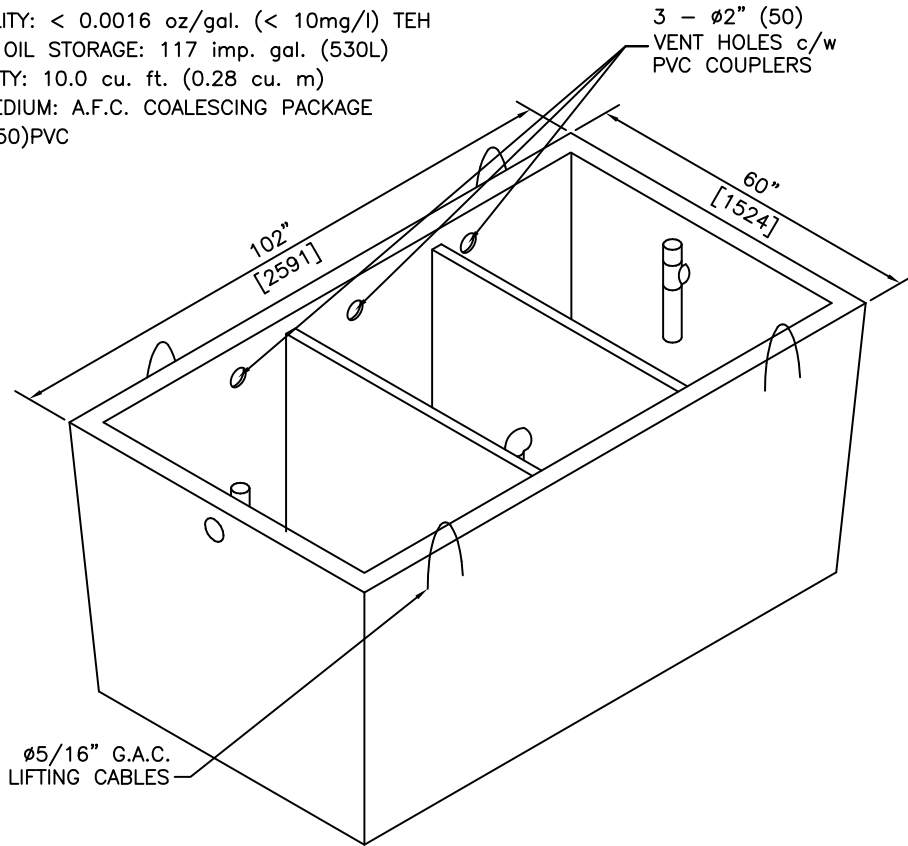
SECTIONS

REVISED: FEB 6 2006

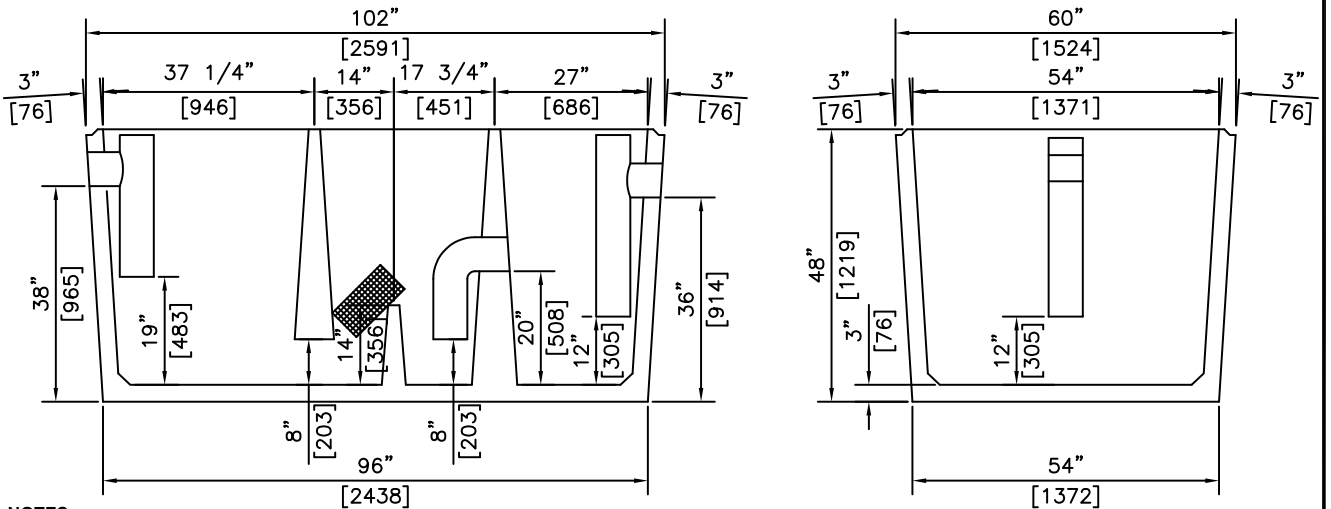
<p>A.F.C. AMERICAN FORCECRETE OF CANADA Inc.</p>	3891 Irvine Road LAKE COUNTRY, B.C. V4V 2G4 PH: (250) 548-0056 FX: (250) 765 0820	BY: PKR	<p>AFC OIL/WATER SEPARATOR - 50GPM (230 LITRE)</p>	ITEM NO.
		DATE: FEB 1 06		<p>1601</p>
		SCALE: NTS		

GENERAL NOTES:

- 1) MAXIMUM FLOW RATE 150 G.P.M. (680 l/min)
- 2) INFLUENT TEMP.: 40° F (5° C) & GREATER
- 3) INFLUENT OIL SPECIFIC GRAVITY: < 0.95
- 4) EFFLUENT QUALITY: < 0.0016 oz/gal. (< 10mg/l) TEH
- 5) RECOMMENDED OIL STORAGE: 117 imp. gal. (530L)
- 6) SLUDGE CAPACITY: 10.0 cu. ft. (0.28 cu. m)
- 7) COALESCING MEDIUM: A.F.C. COALESCING PACKAGE
- 8) PIPING: $\phi 6"$ (150)PVC



ISOMETRIC



NOTES:
 US PATENT No 6,079,571
 CANADIAN PATENT No 2,252,307

SECTIONS

REVISED: FEB 1 2006

<p>A.F.C. AMERICAN FORCECRETE OF CANADA Inc.</p>	3891 Irvine Road LAKE COUNTRY, B.C. V4V 2G4 PH: (250) 548-0056 FX: (250) 765 0820	BY: PKR	<p>AFC OIL/WATER SEPARATOR - 150GPM (680 LITRE)</p>	ITEM NO.
		DATE: FEB 1 06		<p>1601E</p>
		SCALE: NTS		

AFC OIL/WATER SEPARATOR: 50 & 150 GPM TREATMENT RATES

REFERENCE STANDARDS

- 1) G30.12-M1977, 'BILLET STEEL BARS FOR CONCRETE REINFORCEMENT'
- 2) CAN/CSA-A23.1-00, 'CONCRETE MATERIALS AND METHODS OF CONCRETE CONSTRUCTION' WITH SUPPLEMENTS.
- 3) CAN/CSA-A23.1-00, A23.2-00 'METHODS OF TEST FOR CONCRETE'
- 4) CAN/CSA-B66-05, 'PREFABRICATED SEPTIC TANKS AND SEWAGE HOLDING TANK'

GENERAL NOTES:

- 1) CONCRETE COMPRESSIVE STRENGTH = 30MPa AT 28 DAYS.
- 2) COARSE AGGREGATE SIZE = 2.5mm to 20mm.
- 3) TENSILE STRENGTH OF REINFORCEMENT STEEL = 400MPa.
- 4) BREAKING STRENGTH OF LIFTING CABLES = 9800Lbs (4455Kg) EACH. (FOUR PER TANK OR LID)
- 5) FOUR TAILED CHAINS SHOULD BE USED FOR LIFTING THE LID & TANK INTO PLACE TO ENSURE VERTICAL LIFTING FORCE AT LIFTING LOCATIONS, AND PREVENT POSSIBLE DAMAGE TO THE SEPARATOR.
- 6) DEAD WEIGHT OF OIL SEPARATOR = 9760Lbs (4436Kg).
LID = 3085Lbs (1402Kg)
TANK = 6675Lbs (3034Kg)

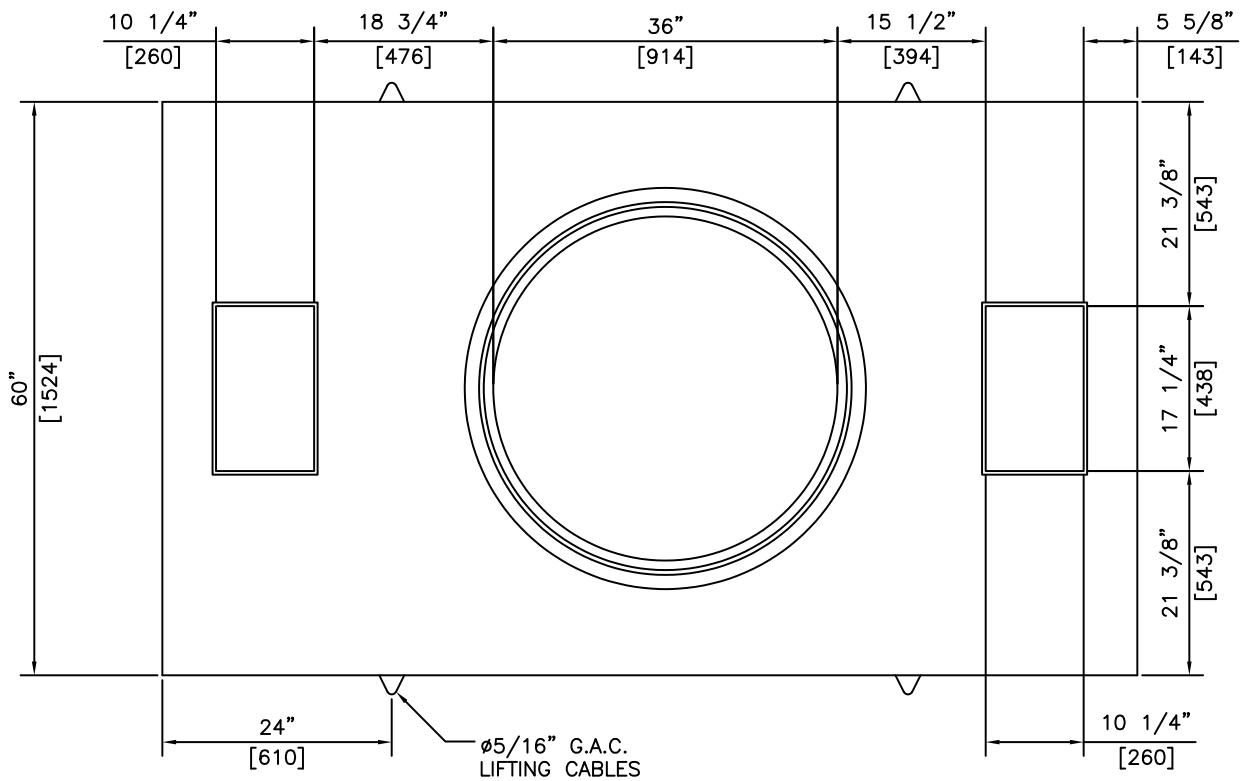
PATENT & COPYRIGHT INFORMATION

- 1) US PATENT No. IS 6,079,571 AND THE CANADIAN PATENT No. IS 2,252,307.
PLEASE NOTE THAT THE PATENT COVERS BOTH THE OIL/WATER SEPARATOR AND THE AFC COALESCING PACKAGE. AFC INC. WILL VIGOROUSLY DEFEND ITS PATENT RIGHTS IN ANY AND ALL CASES OF INFRINGEMENT.
- 2) ALL SHOP DRAWINGS, SCHEDULES, PAMPHLETS AND INFORMATION SHEETS ARE COPYRIGHTED BY AFC INC. NOTHING IS TO BE REPRODUCED WITHOUT THE EXPRESS WRITTEN CONSENT OF AFC INC.

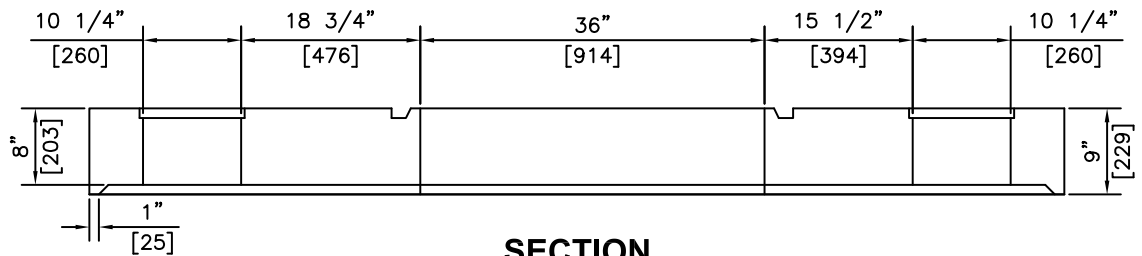
NOTES:

REVISED: FEB 1 2006

A.F.C. AMERICAN FORCECRETE OF CANADA Inc.	3891 Irvine Road LAKE COUNTRY, B.C. V4V 2G4 PH: (250) 548-0056 FX: (250) 765 0820	BY: PKR	AFC OIL/WATER SEPARATOR 50 or 150 GPM	ITEM NO.
		DATE: FEB 1 06		1601 NOTES
		SCALE: NTS		



PLAN VIEW



SECTION

NOTES:

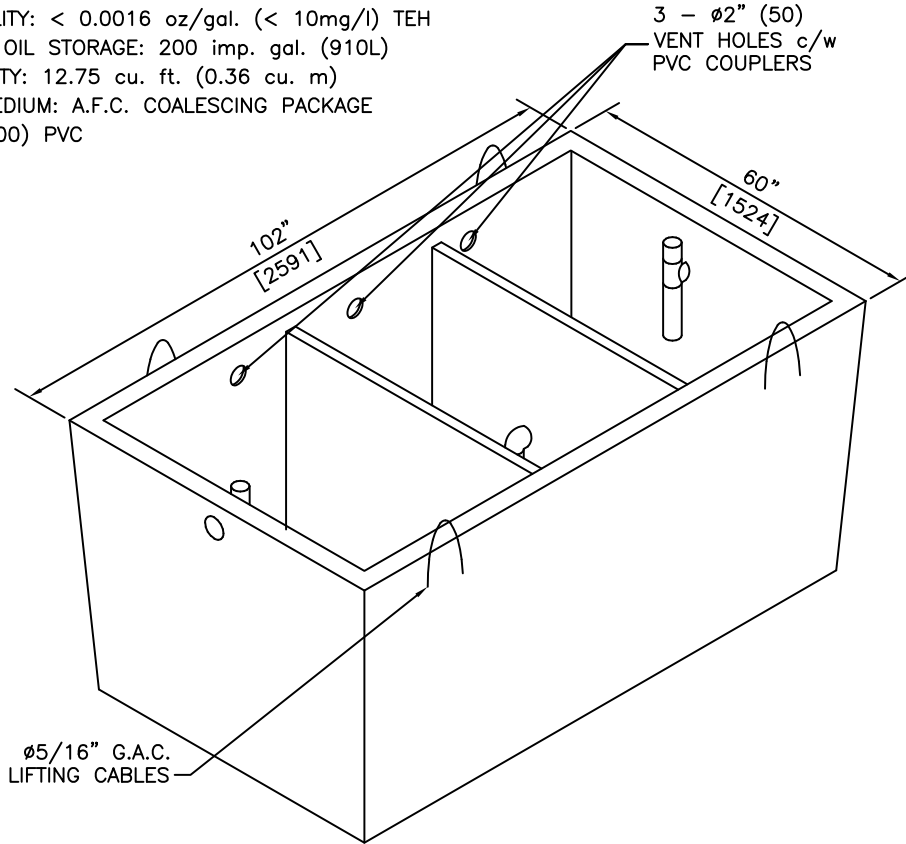
US PATENT No 6,079,571
 CANADIAN PATENT No 2,252,307
 MEETS H-20 LOADING

REVISED: FEB 1 2006

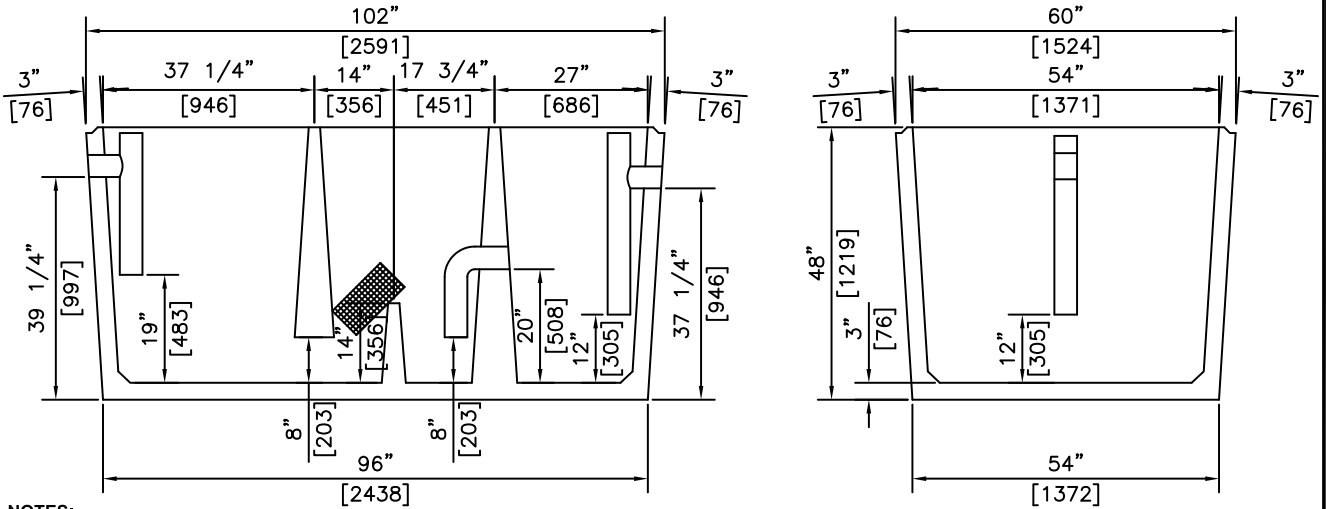
A.F.C. AMERICAN FORCECRETE OF CANADA Inc.	3891 Irvine Road LAKE COUNTRY, B.C. V4V 2G4 PH: (250) 548-0056 FX: (250) 765 0820	BY: PKR	MODEL 1605/1605E OIL/WATER SEPARATOR LID : H20	ITEM NO.
		DATE: FEB 1 06		1604
		SCALE: NTS		

GENERAL NOTES:

- 1) MAXIMUM FLOW RATE 50 G.P.M. (230 l/min)
- 2) INFLUENT TEMP.: 40° F (5° C) & GREATER
- 3) INFLUENT OIL SPECIFIC GRAVITY: < 0.95
- 4) EFFLUENT QUALITY: < 0.0016 oz/gal. (< 10mg/l) TEH
- 5) RECOMMENDED OIL STORAGE: 200 imp. gal. (910L)
- 6) SLUDGE CAPACITY: 12.75 cu. ft. (0.36 cu. m)
- 7) COALESCING MEDIUM: A.F.C. COALESCING PACKAGE
- 8) PIPING: $\phi 4"$ (100) PVC



ISOMETRIC



NOTES:
 US PATENT No 6,079,571
 CANADIAN PATENT No 2,252,307

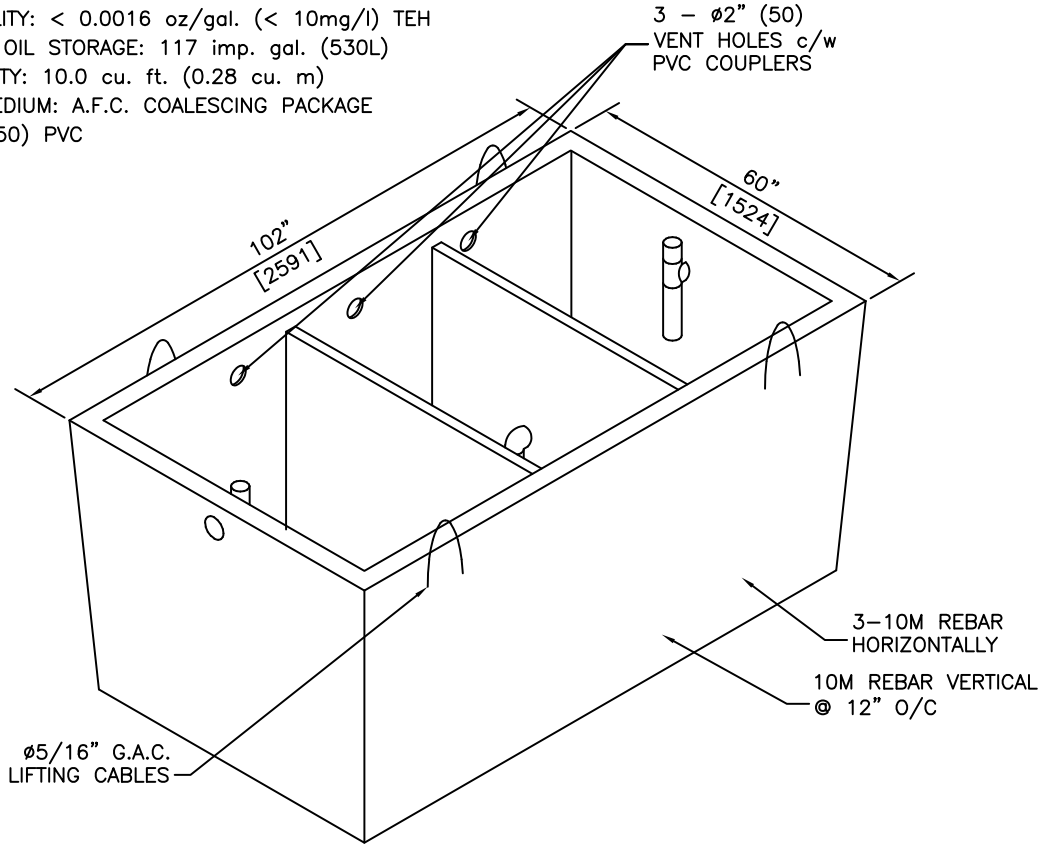
SECTIONS

REVISED: FEB 1 2006

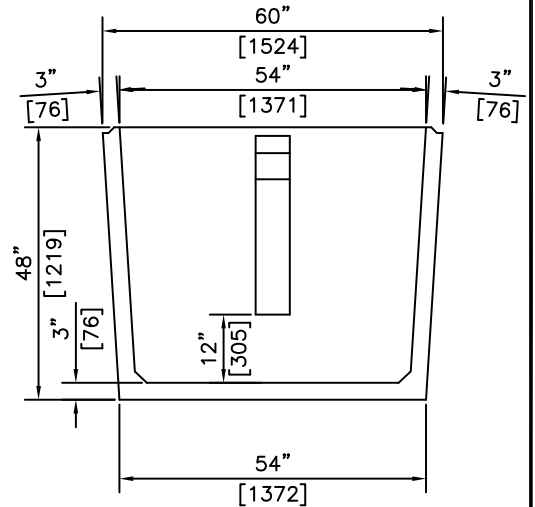
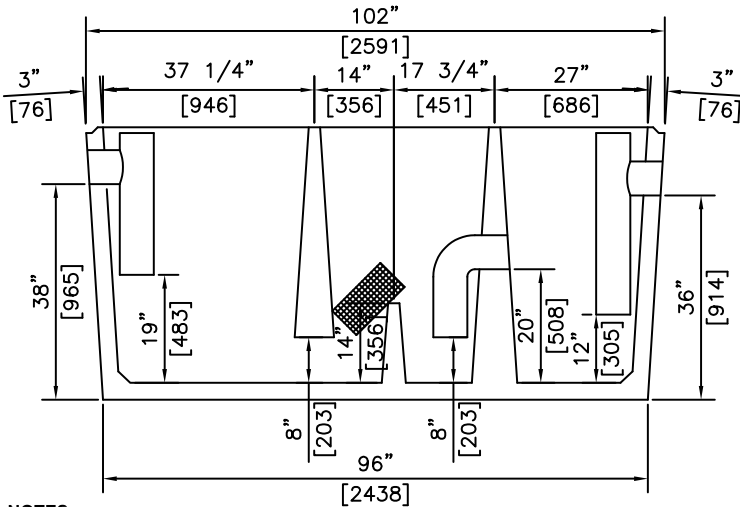
<p>A.F.C. AMERICAN FORCECRETE OF CANADA Inc.</p>	3891 Irvine Road LAKE COUNTRY, B.C. V4V 2G4 PH: (250) 548-0056 FX: (250) 765 0820	BY: PKR DATE: FEB 1 06 SCALE: NTS	<p>AFC OIL/WATER SEPARATOR - 50GPM (230L) H2O DESIGN</p>	ITEM NO. <p>1605</p>

GENERAL NOTES:

- 1) MAXIMUM FLOW RATE 150 G.P.M. (680 l/min)
- 2) INFLUENT TEMP.: 40° F (5° C) & GREATER
- 3) INFLUENT OIL SPECIFIC GRAVITY: < 0.95
- 4) EFFLUENT QUALITY: < 0.0016 oz/gal. (< 10mg/l) TEH
- 5) RECOMMENDED OIL STORAGE: 117 imp. gal. (530L)
- 6) SLUDGE CAPACITY: 10.0 cu. ft. (0.28 cu. m)
- 7) COALESCING MEDIUM: A.F.C. COALESCING PACKAGE
- 8) PIPING: ϕ 6" (150) PVC



ISOMETRIC



SECTIONS

NOTES:
 US PATENT No 6,079,571
 CANADIAN PATENT No 2,252,307
 MEETS H2O LOADING

REVISED: FEB 1 2006

A.F.C. AMERICAN FORCECRETE OF CANADA Inc.	3891 Irvine Road LAKE COUNTRY, B.C. V4V 2G4	BY: PKR	AFC OIL/WATER SEPARATOR -150GPM (680L) H2O DESIGN	ITEM NO.
	PH: (250) 548-0056	DATE: FEB 1 06		1605E
	FX: (250) 765 0820	SCALE: NTS		

AFC OIL/WATER SEPARATOR H20: 50 & 150 GPM TREATMENT RATES

REFERENCE STANDARDS

- 1) G30.12-M1977, 'BILLET STEEL BARS FOR CONCRETE REINFORCEMENT'
- 2) CAN/CSA-A23.1-00, 'CONCRETE MATERIALS AND METHODS OF CONCRETE CONSTRUCTION' WITH SUPPLEMENTS.
- 3) CAN/CSA-A23.1-00, A23.2-00 'METHODS OF TEST FOR CONCRETE'
- 4) CAN/CSA-B66-05, 'PREFABRICATED SEPTIC TANKS AND SEWAGE HOLDING TANK'

GENERAL NOTES:


- 1) CONCRETE COMPRESSIVE STRENGTH = 30MPa AT 28 DAYS.
- 2) COARSE AGGREGATE SIZE = 2.5mm to 20mm.
- 3) TENSILE STRENGTH OF REINFORCEMENT STEEL = 400MPa.
- 4) BREAKING STRENGTH OF LIFTING CABLES = 9800Lbs (4455Kg) EACH. (FOUR PER TANK OR LID)
- 5) FOUR TAILED CHAINS SHOULD BE USED FOR LIFTING THE LID & TANK INTO PLACE TO ENSURE VERTICAL LIFTING FORCE AT LIFTING LOCATIONS, AND PREVENT POSSIBLE DAMAGE TO THE SEPARATOR.
- 6) DEAD WEIGHT OF OIL SEPARATOR = 9900Lbs (4500Kg).
 LID = 3150Lbs (1432Kg)
 TANK = 6750Lbs (3068Kg)

PATENT & COPYRIGHT INFORMATION

- 1) US PATENT No. IS 6,079,571 AND THE CANADIAN PATENT No. IS 2,252,307.
 PLEASE NOTE THAT THE PATENT COVERS BOTH THE OIL/WATER SEPARATOR AND THE AFC COALESCING PACKAGE. AFC INC. WILL VIGOROUSLY DEFEND ITS PATENT RIGHTS IN ANY AND ALL CASES OF INFRINGEMENT.
- 2) ALL SHOP DRAWINGS, SCHEDULES, PAMPHLETS AND INFORMATION SHEETS ARE COPYRIGHTED BY AFC INC. NOTHING IS TO BE REPRODUCED WITHOUT THE EXPRESS WRITTEN CONSENT OF AFC INC.

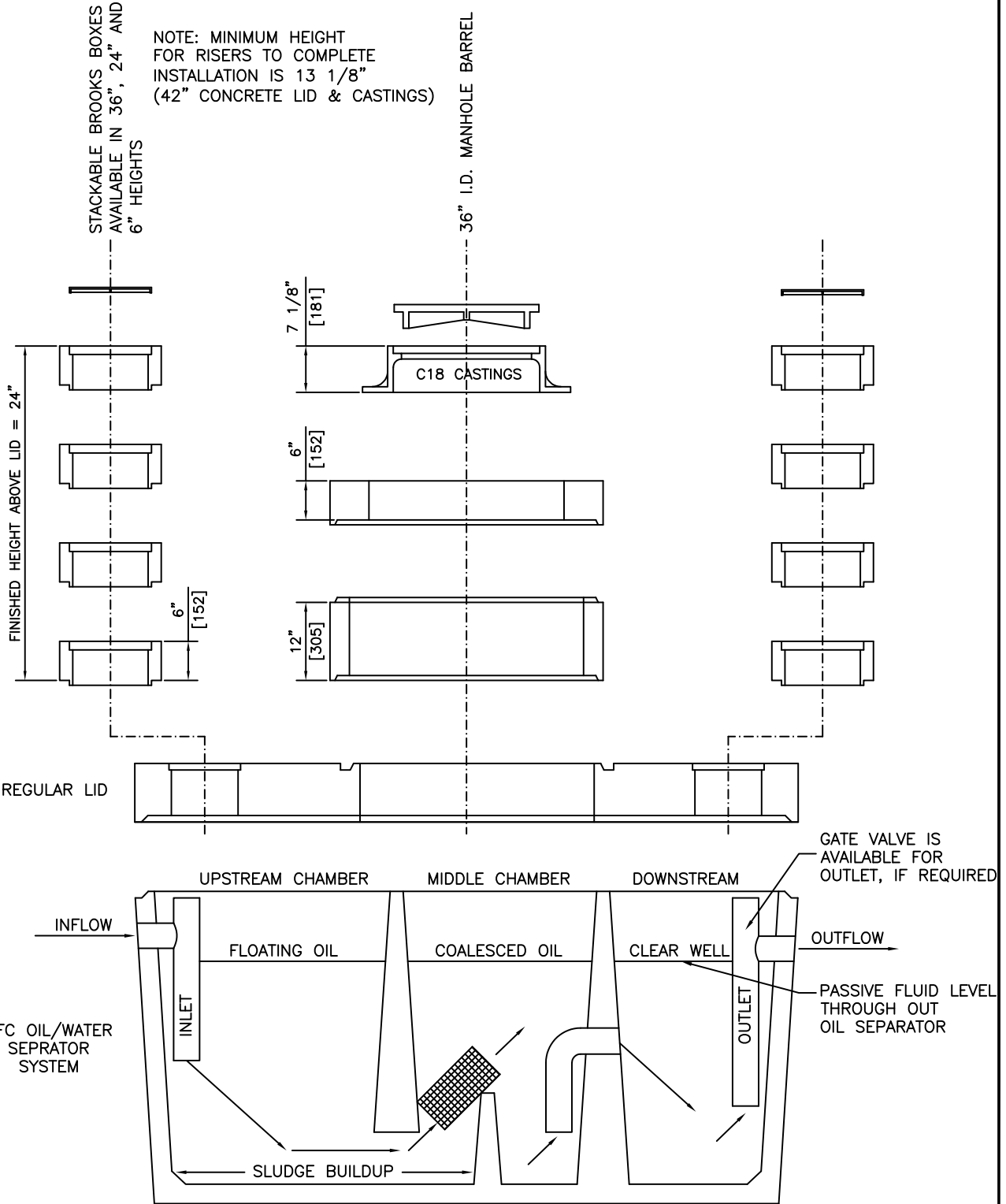
NOTES:

REVISED: FEB 1 2006

	3891 Irvine Road LAKE COUNTRY, B.C. V4V 2G4	BY: PKR	AFC OIL/WATER SEPARATOR 50 or 150 GPM : H20	ITEM NO.
	PH: (250) 548-0056	DATE: FEB 1 06		1605 NOTES
	FX: (250) 765 0820	SCALE: NTS		

NOTE: MINIMUM HEIGHT FOR RISERS TO COMPLETE INSTALLATION IS 13 1/8" (42" CONCRETE LID & CASTINGS)

STACKABLE BROOKS BOXES AVAILABLE IN 36", 24" AND 6" HEIGHTS



INSTALLATION SEQUENCE AND OPERATION DETAILS

NOTES:
 US PATENT No 6,079,571
 CANADIAN PATENT No 2,252,307

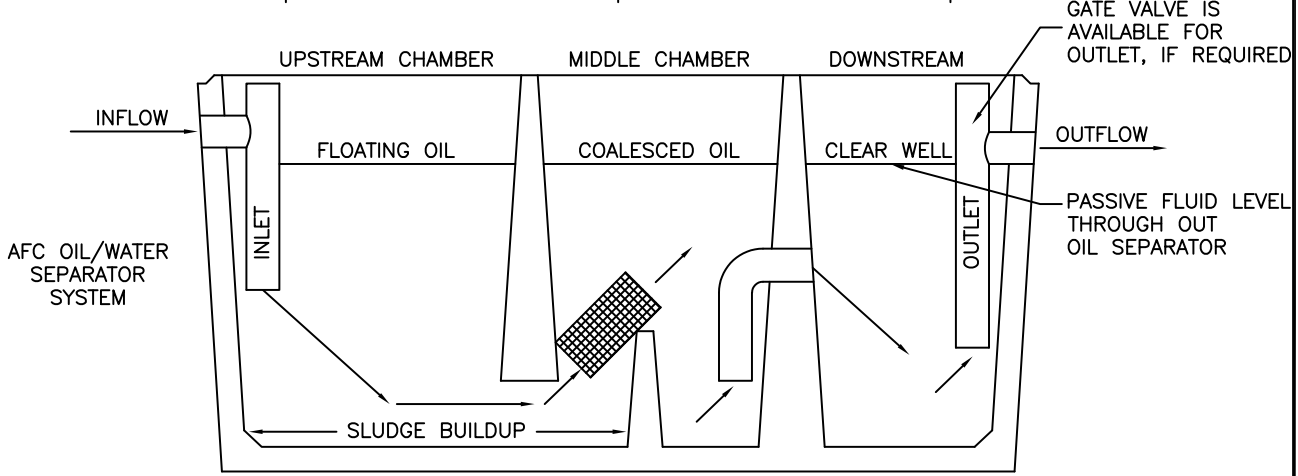
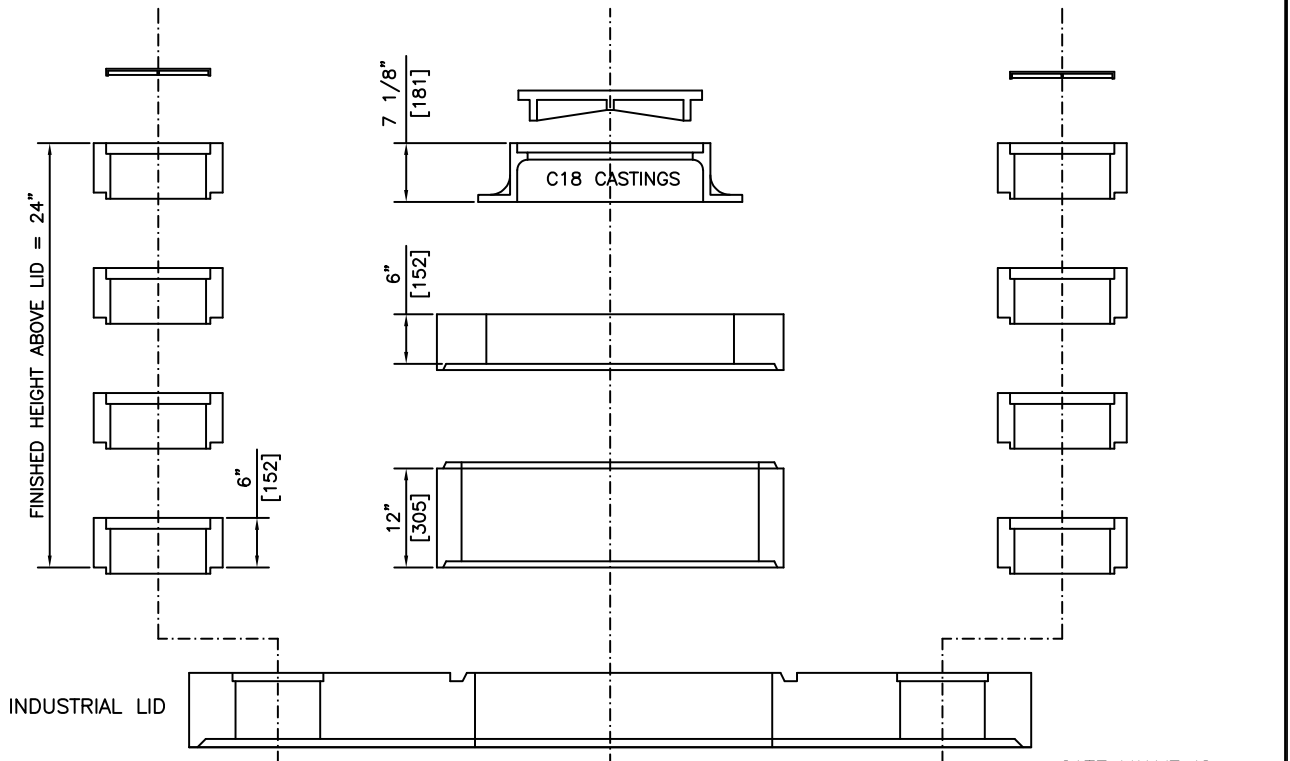
REVISED: FEB 1 2006

A.F.C. AMERICAN FORCECRETE OF CANADA Inc.	3891 Irvine Road LAKE COUNTRY, B.C. V4V 2G4 PH: (250) 548-0056 FX: (250) 765 0820	BY: PKR DATE: FEB 1 06 SCALE: NTS	AFC OIL/WATER SEPARATOR 50 or 150 GPM	ITEM NO. 1610

STACKABLE BROOKS BOXES
AVAILABLE IN 36", 24" AND
6" HEIGHTS

NOTE: MINIMUM HEIGHT
FOR RISERS TO COMPLETE
INSTALLATION IS 13 1/8"
(42" CONCRETE LID & CASTINGS)

36" I.D. MANHOLE BARREL



**INSTALLATION SEQUENCE
AND OPERATION DETAILS**

NOTES:
US PATENT No 6,079,571
CANADIAN PATENT No 2,252,307

REVISED: FEB 1 2006

<p>A.F.C. AMERICAN FORCECRETE OF CANADA Inc.</p>	<p>3891 Irvine Road LAKE COUNTRY, B.C. V4V 2G4 PH: (250) 548-0056 FX: (250) 765 0820</p>	BY: PKR	<p>AFC OIL/WATER SEPARATOR : H2O 50 or 150 GPM</p>	ITEM NO.
		DATE: FEB 1 06		<p>1611</p>
		SCALE: NTS		