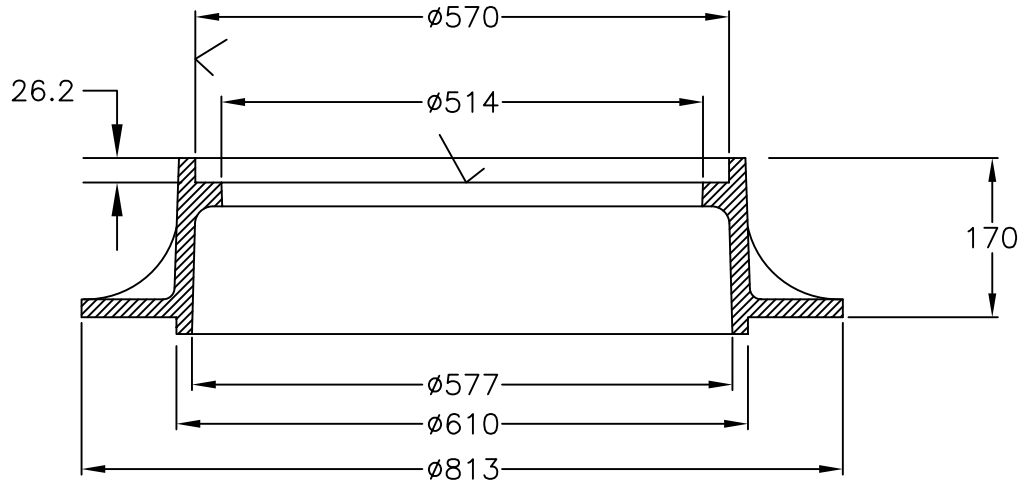


PLAN



SECTION A-A

DEPT. OF HIGHWAYS MANHOLE FRAME

APPROX. WEIGHT

FRAME - 90 Kg



DOBNEY FOUNDRY LTD.
SURREY B.C.

RATING-HWY LOAD

ASSOCIATED FRAME

NO.
C-18 ASSC.