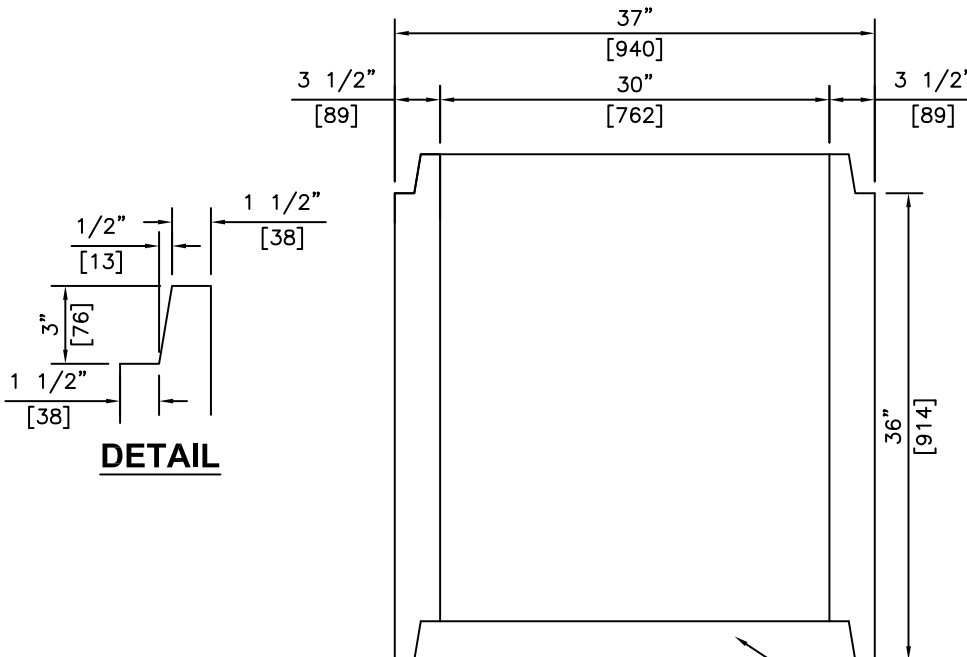


NOTE:
c/w 2-2 3/16" UNI-LIFT
ANCHORS FOR HANDLING

ISOMETRIC



SECTION

BASE - PREFABRICATED BY KON KAST
OR CAST IN PLACE BY CONTRACTOR

REVISED: MAR 28 2006

NOTES:

- 1) 27.6 MPa @ 28 DAYS
- 2) MEETS H-20 LOADING

KON KAST
products (2005) Ltd.
"Committed To Quality And Service"

3440 UNIVERSITY WAY
KELOWNA B.C.
V1V 1V9
PH: (250)765-1423
FX: (250)765-0820

BY: PKR
DATE: FEB 11 05
SCALE: NTS

30" (750) I.D.
CATCH BASIN
36" (914) HEIGHT

ITEM NO.

807