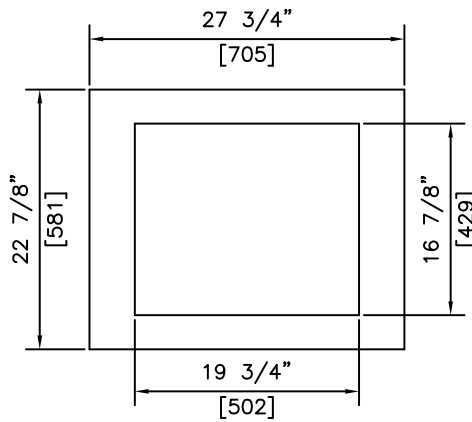


ISOMETRIC



PLAN



SECTION

NOTES:

- 1) MEETS OR EXCEEDS ASTM C478
- 2) 27.6 MPa @ 28 DAYS

REVISED: FEB 10 2005



"Committed To Quality And Service"

KON KAST

products (2005) Ltd.

3440 UNIVERSITY WAY
KELOWNA B.C.
V1V 1V9

PH: (250)765-1423

FX: (250)765-0820

BY: PKR

DATE: FEB 10 05

SCALE: NTS

**2" (51) C.B.
GRADE RING
RB7 OPENING**

ITEM NO.

810R