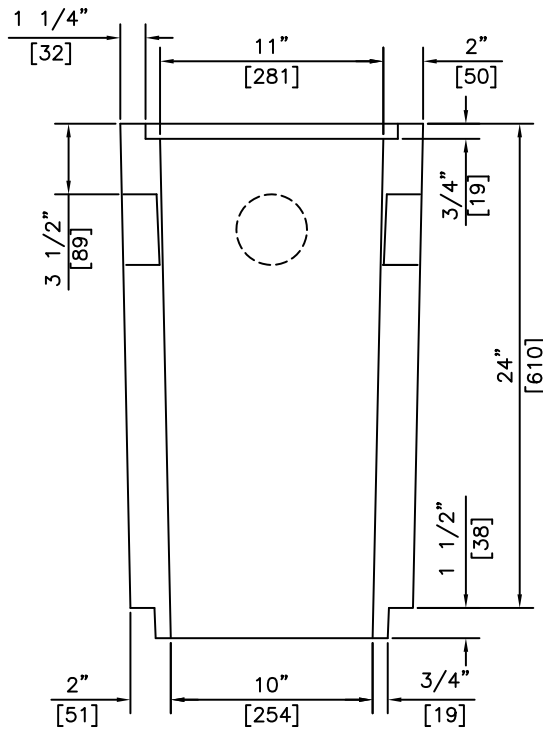


ISOMETRIC



SECTION

NOTES:

- 1) 25 MPa @ 28 DAYS
- 2) AVAILABLE WITH A Poured IN BASE ALSO

REVISED: FEB 10 2005



KON KAST
products (2005) Ltd.

"Committed To Quality And Service"

3440 UNIVERSITY WAY
KELOWNA B.C.
V1V 1V9
PH: (250)765-1423
FX: (250)765-0820

BY: PKR

DATE: FEB 10 05

SCALE: NTS

**RESIDENTIAL
CATCH BASIN
24" (610) HEIGHT**

ITEM NO.

826