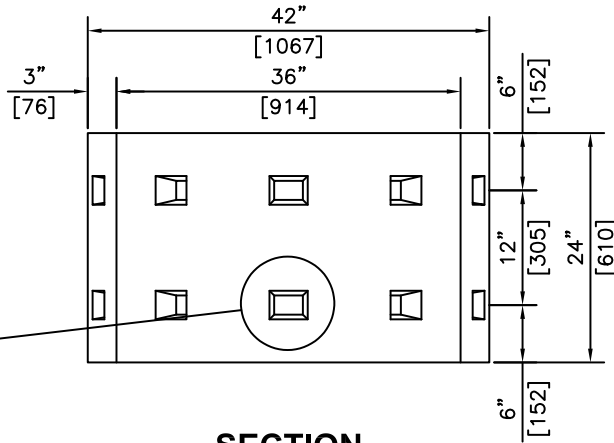


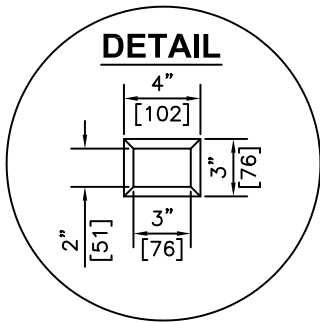
ISOMETRIC

TOTAL OF 20 HOLES

NOTE:
HOLE SIZE FOR $\phi 1$ " LIFTING
PINS = $\phi 1 \frac{1}{4}$ "



SECTION



NOTES:

1) 25 MPa @ 28 DAYS

REVISED: FEB 4 2005



KON KAST
products (2005) Ltd.
"Committed To Quality And Service"

3440 UNIVERSITY WAY
KELOWNA B.C.
V1V 1V9
PH: (250)765-1423
FX: (250)765-0820

BY: PKR
DATE: FEB 4 05
SCALE: NTS

$\phi 36$ " (914)
DRAINAGE DRYWELL
x 24" (610) HEIGHT

ITEM NO.

602