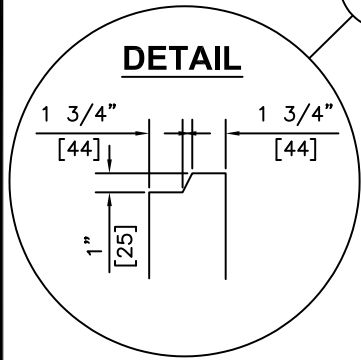
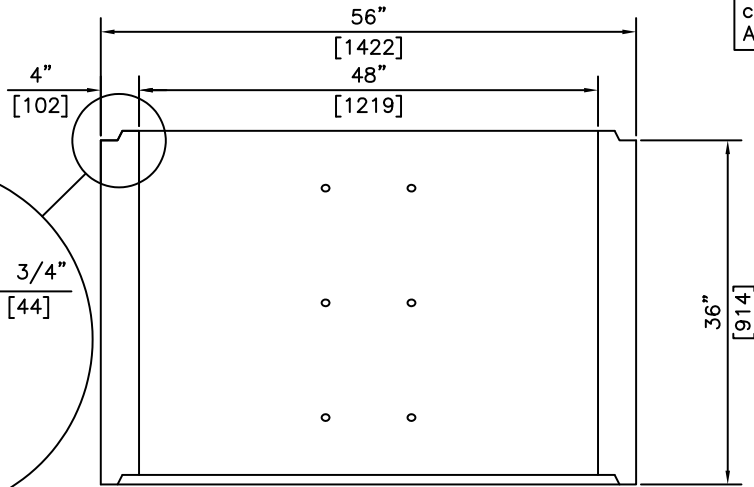


ISOMETRIC

NOTE:
c/w 2-3 3/8" UNI-LIFT
ANCHORS FOR HANDLING




SECTION

NOTES:

- 1) 27.6 MPa @ 28 DAYS
- 2) MEETS H-20 LOADING

REVISED: MAR 27 2006

 <p>KON KAST products (2005) Ltd. "Committed To Quality And Service"</p>	<p>3440 UNIVERSITY WAY KELOWNA B.C. V1V 1V9 PH: (250)765-1423 FX: (250)765-0820</p>	BY: PKR	<p>100 HOLE DRYWELL 36" (914) HEIGHT SOLID RISER</p>	ITEM NO.
		DATE: FEB 7 05		<p>653</p>
		SCALE: NTS		