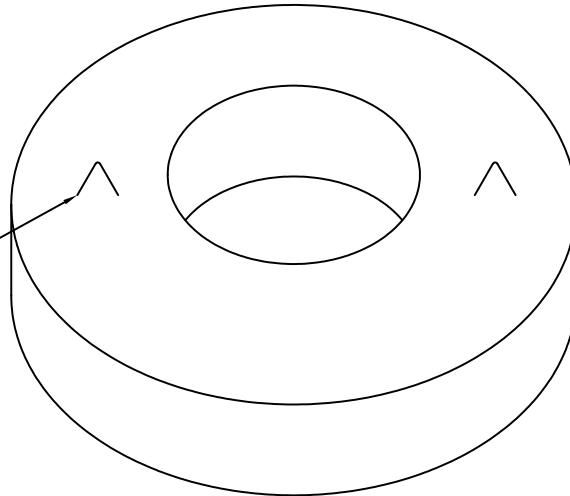
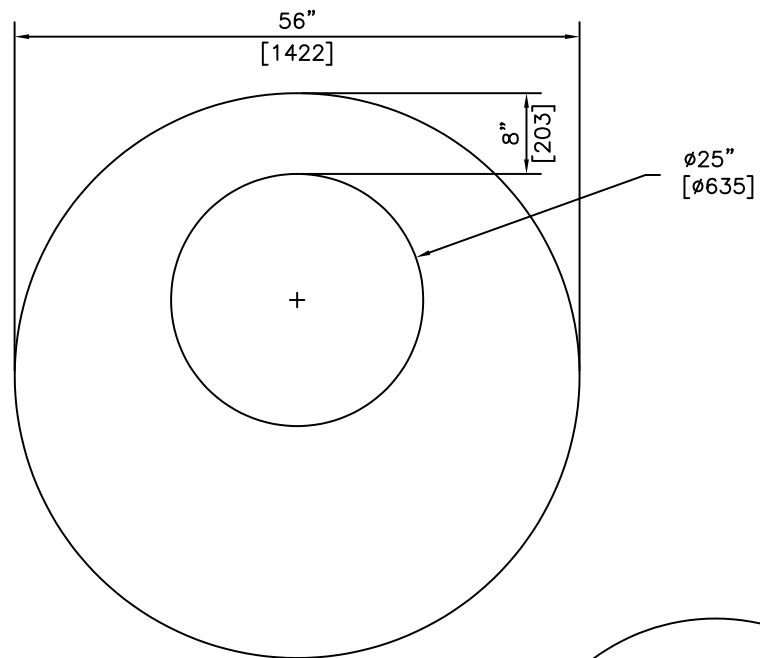


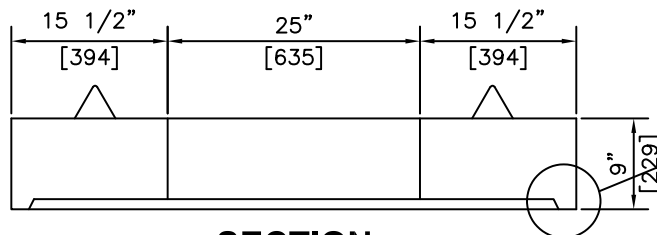
Ø5/16" G.A.C.
LIFTING CABLES



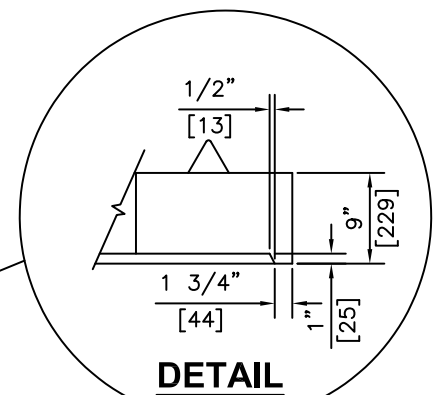
ISOMETRIC



PLAN



SECTION




DETAIL

NOTES:

- 1) 27.6 MPa @ 28 DAYS
- 2) MEETS H-20 LOADING

REVISED: FEB 3 2005

 <p>KON KAST products (2005) Ltd. "Committed To Quality And Service"</p>	<p>3440 UNIVERSITY WAY KELOWNA B.C. V1V 1V9 PH: (250)765-1423 FX: (250)765-0820</p>	BY: PKR	<p>DRAINAGE DRYWELL 100 HOLE LID Ø25" OPENING</p>	ITEM NO.
		DATE: FEB 3 05		<p>675</p>
		SCALE: NTS		