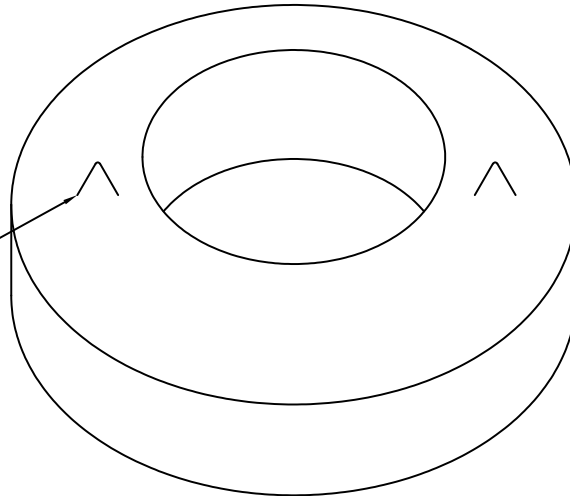
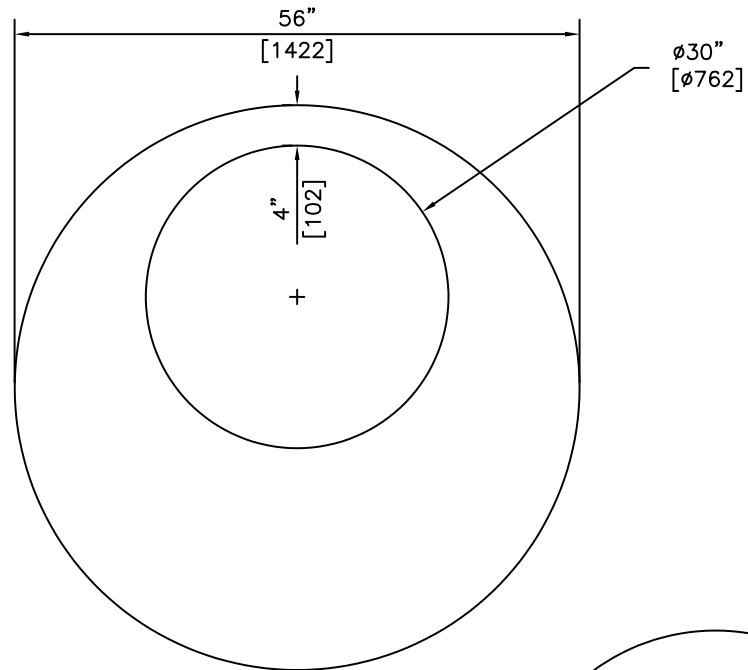


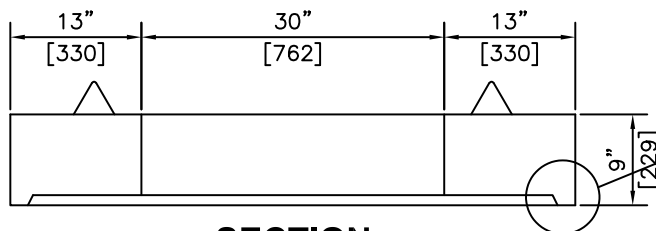
Ø5/16" G.A.C.  
LIFTING CABLES



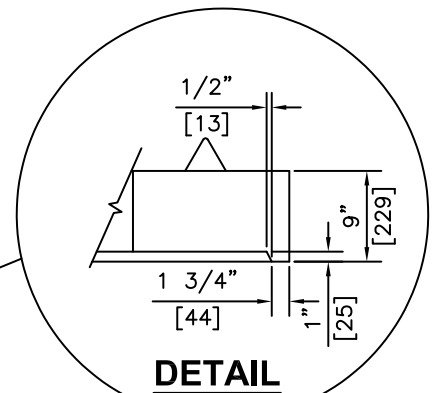
**ISOMETRIC**



**PLAN**



**SECTION**



**DETAIL**

**NOTES:**

- 1) 27.6 MPa @ 28 DAYS
- 2) MEETS H-20 LOADING

REVISED: FEB 3 2005



**KON KAST**  
products (2005) Ltd.

"Committed To Quality And Service"

3440 UNIVERSITY WAY  
KELOWNA B.C.  
V1V 1V9  
PH: (250)765-1423  
FX: (250)765-0820

BY: PKR

DATE: FEB 3 05

SCALE: NTS

**DRAINAGE DRYWELL**

**100 HOLE LID**

**Ø30" OPENING**

ITEM NO.

**676**