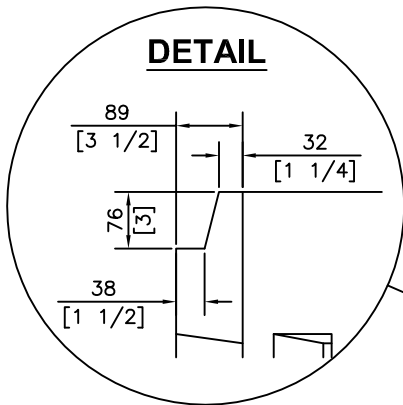


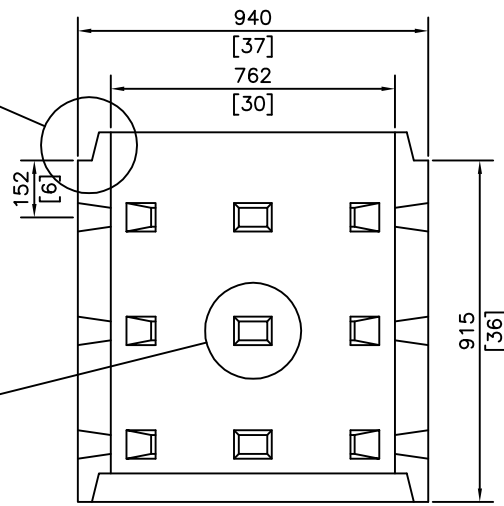
ISOMETRIC

TOTAL OF 27 HOLES

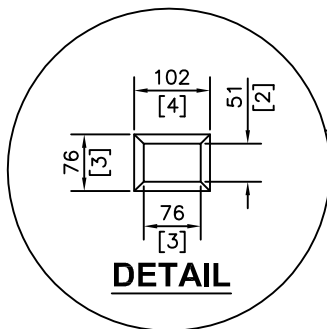


DETAIL

NOTE:
c/w 2-2 3/16" LIFTING
ANCHORS FOR HANDLING



SECTION



DETAIL

30 MPa @ 28 DAYS
MEETS H-20 LOADING

WEIGHT: 377 kg

REVISED: MAR 14 2022



KON KAST
products (2005) ltd.

ph: (250) 765 1423
fx: (250) 765 0820
www.konkast.com

"Committed To Quality And Service"

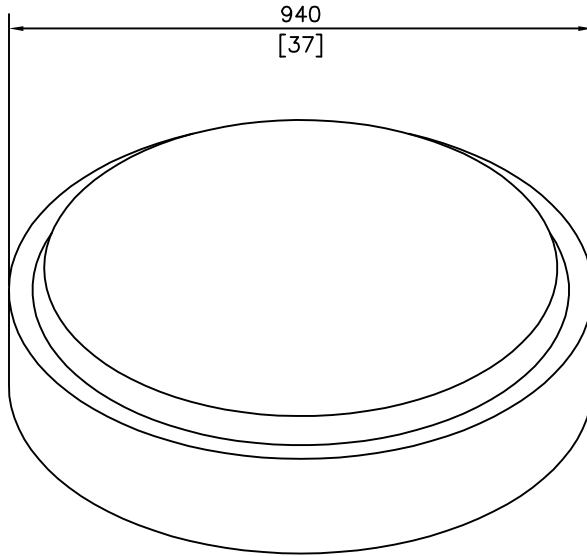
DESCRIPTION

**750mm (30") I.D.
DRAINAGE DRYWELL
x 900 (36") HEIGHT**

DRAWN BY: PKR
DATE: FEB 4 2005
SCALE: NTS

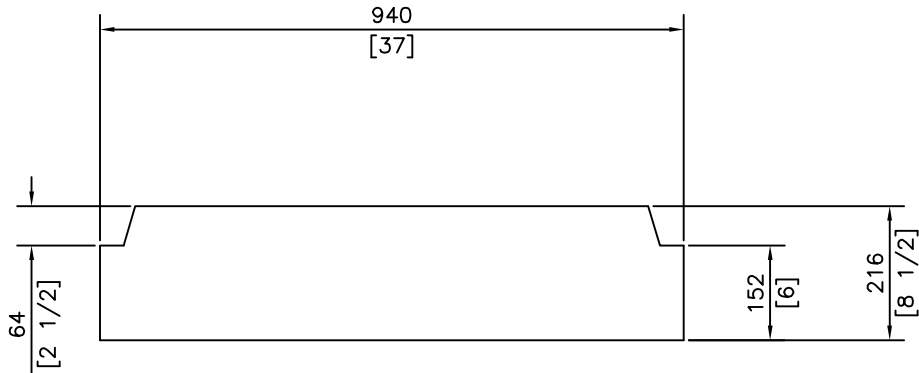
DRAWING:

601



ISOMETRIC

NOTE:
c/w 3-2 3/16" LIFTING
ANCHORS FOR HANDLING



SECTION

30 MPa @ 28 DAYS
MEETS H-20 LOADING

WEIGHT: 320 kg

REVISED: MAR 14 2022



KON KAST
products (2005) ltd.

ph: (250) 765 1423
fx: (250) 765 0820
www.konkast.com

"Committed To Quality And Service"

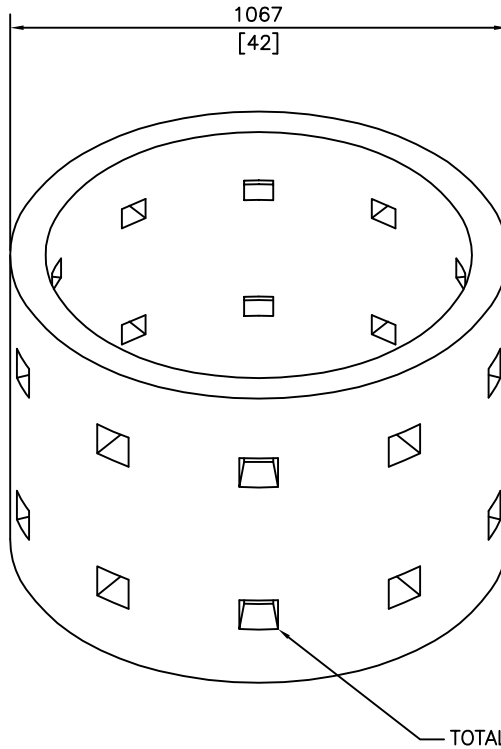
DESCRIPTION

**750mm (30") I.D.
DRAINAGE DRYWELL
BASE**

DRAWN BY: PKR
DATE: FEB 7 2005
SCALE: NTS

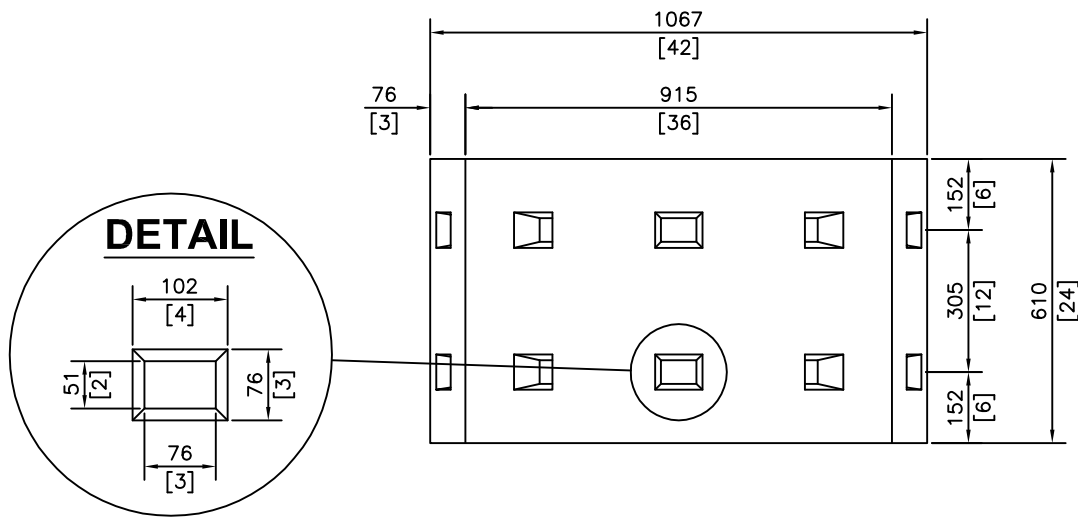
DRAWING:

601B



ISOMETRIC

NOTE:
c/w 2-2 3/16" LIFTING
ANCHORS FOR HANDLING



SECTION

30 MPa @ 28 DAYS

WEIGHT: 297 kg

REVISED: MAR 14 2022



KON KAST
products (2005) ltd.

ph: (250) 765 1423
fx: (250) 765 0820
www.konkast.com

"Committed To Quality And Service"

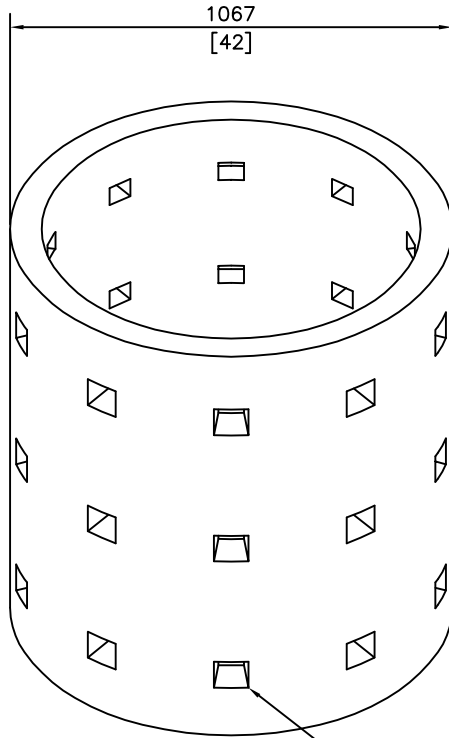
DESCRIPTION

**900mm (36") I.D.
DRAINAGE DRYWELL
x 600mm (24") HEIGHT**

DRAWN BY: PKR
DATE: FEB 4 2005
SCALE: NTS

DRAWING:

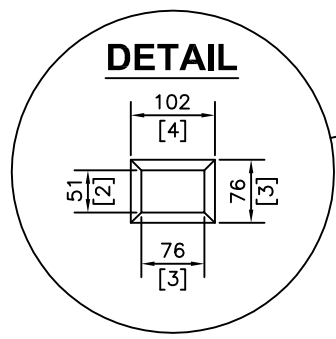
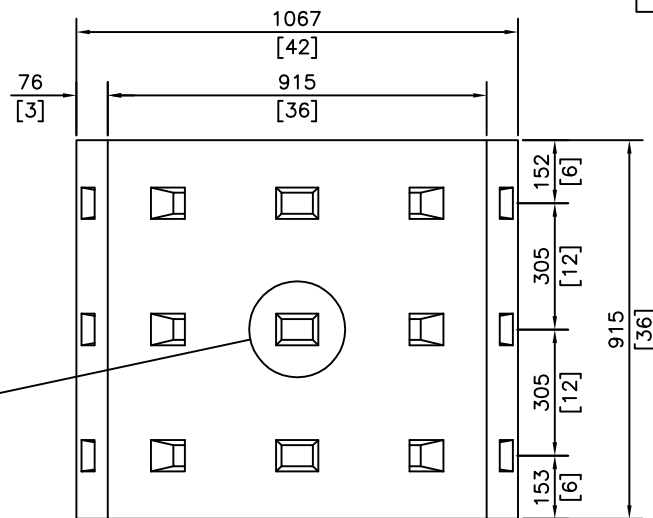
602



TOTAL OF 30 HOLES

ISOMETRIC

NOTE:
c/w 2 - 2 3/16" LIFTING ANCHORS FOR HANDLING



SECTION

30 MPa @ 28 DAYS

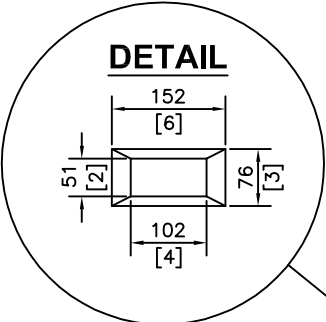
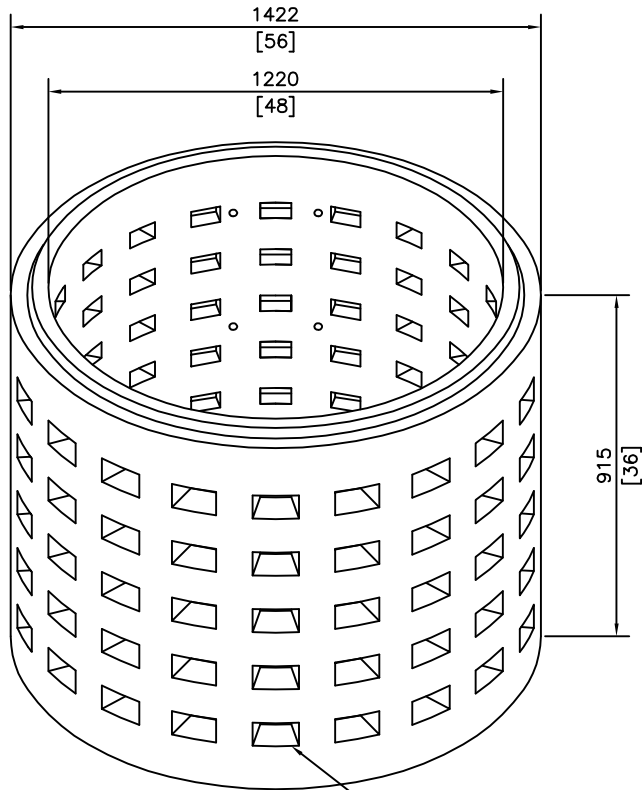
WEIGHT: 457 kg

REVISED: MAR 14 2022

KON KAST
products (2005) ltd.
ph: (250) 765 1423
fx: (250) 765 0820
www.konkast.com
"Committed To Quality And Service"

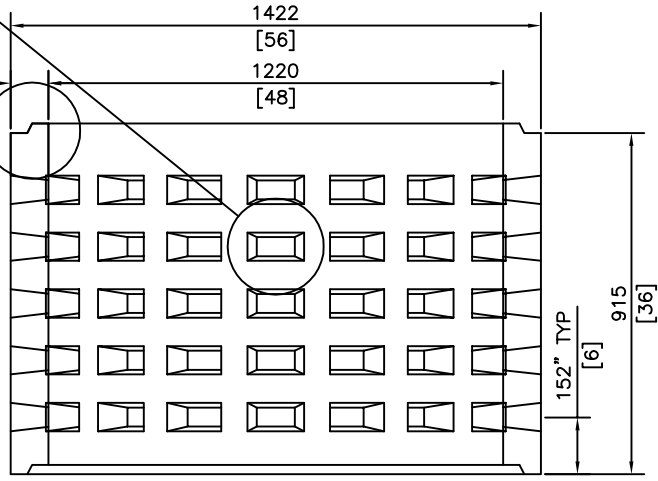
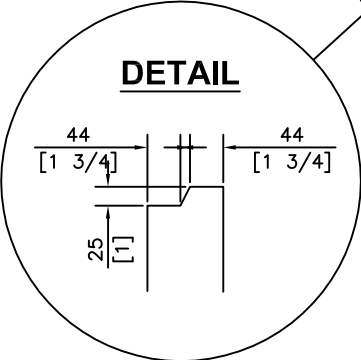
DESCRIPTION
**900mm (36") I.D.
DRAINAGE DRYWELL
x 900mm (36") HEIGHT**

DRAWN BY: PKR
DATE: FEB 7 2005
SCALE: NTS
DRAWING:
603



ISOMETRIC

NOTE:
c/w 2-3 3/8" LIFTING
ANCHORS FOR HANDLING



SECTION

30 MPa @ 28 DAYS
MEETS H-20 LOADING

WEIGHT: 704 kg

REVISED: MAR 14 2022



ph: (250) 765 1423
fx: (250) 765 0820
www.konkast.com

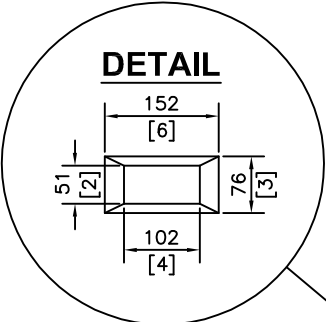
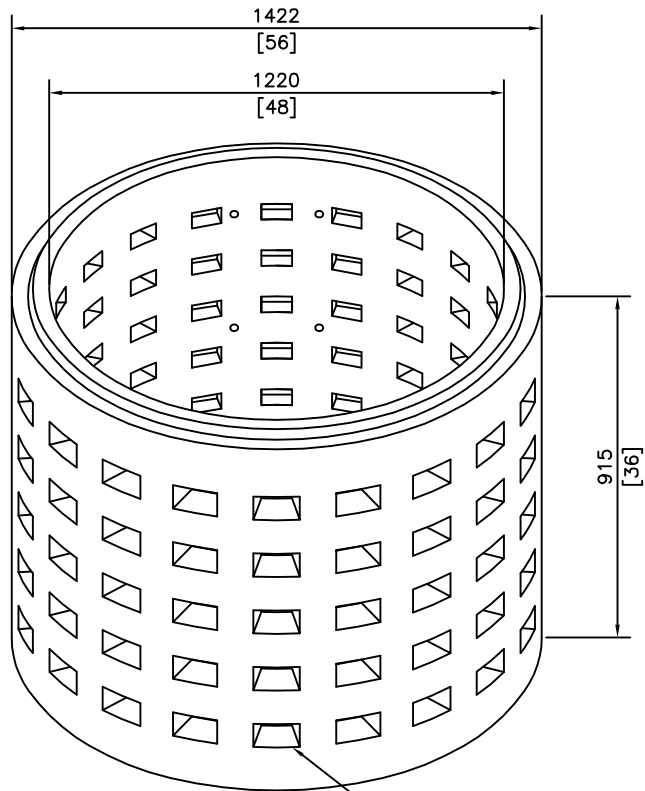
DESCRIPTION

**100 HOLE
DRAINAGE DRYWELL
x 900mm (36") HEIGHT**

DRAWN BY: PKR
DATE: MAR 27 2006
SCALE: NTS

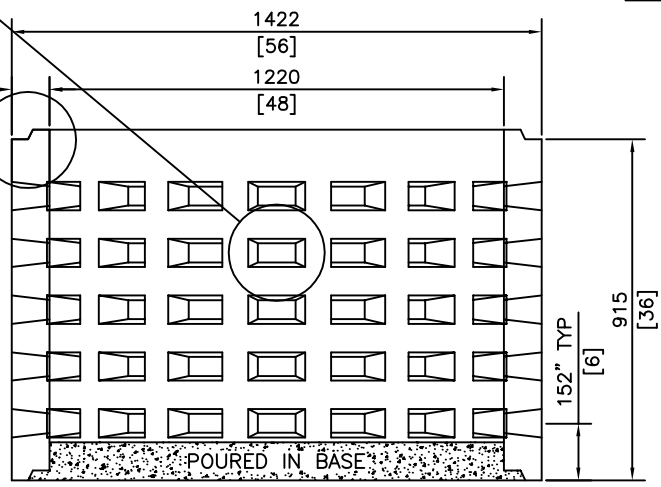
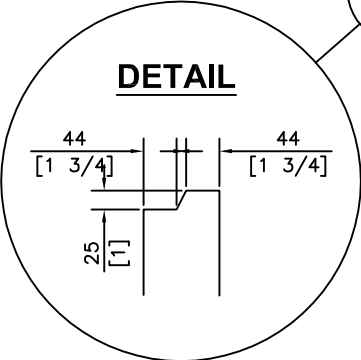
DRAWING:
625

"Committed To Quality And Service"



ISOMETRIC

NOTE:
c/w 2-3 3/8" LIFTING
ANCHORS FOR HANDLING



SECTION

30 MPa @ 28 DAYS
MEETS H-20 LOADING

WEIGHT: 1135 kg

REVISED: MAR 14 2022



KON KAST
products (2005) ltd.

ph: (250) 765 1423
fx: (250) 765 0820
www.konkast.com

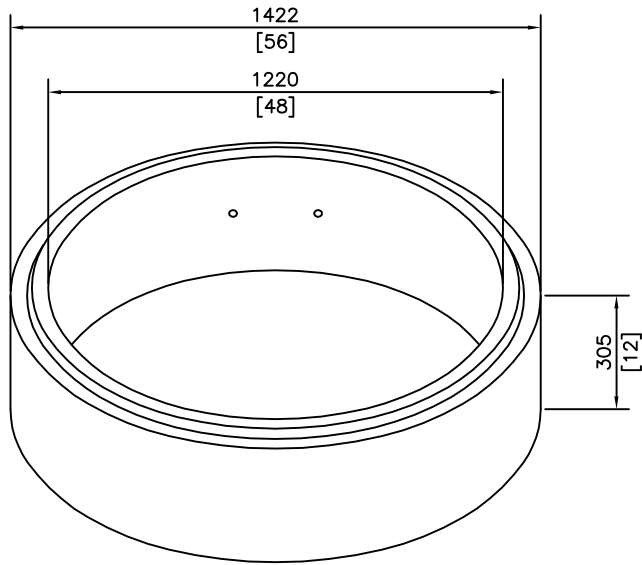
"Committed To Quality And Service"

DESCRIPTION

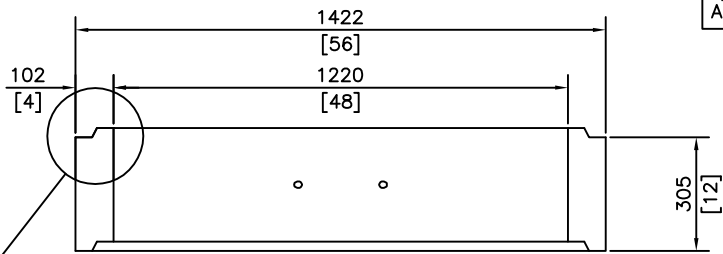
**100 HOLE
DRAINAGE DRYWELL
c/w POURED IN BASE**

DRAWN BY: PKR
DATE: MAR 27 2006
SCALE: NTS
DRAWING:

627

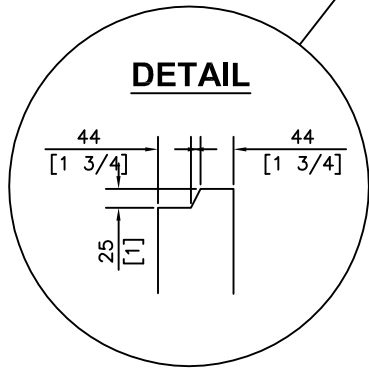


ISOMETRIC



SECTION

NOTE:
c/w 2-3 3/8" LIFTING
ANCHORS FOR HANDLING



DETAIL

30 MPa @ 28 DAYS
MEETS H-20 LOADING

WEIGHT: 295 kg

REVISED: MAR 14 2022



ph: (250) 765 1423
fx: (250) 765 0820
www.konkast.com

DESCRIPTION

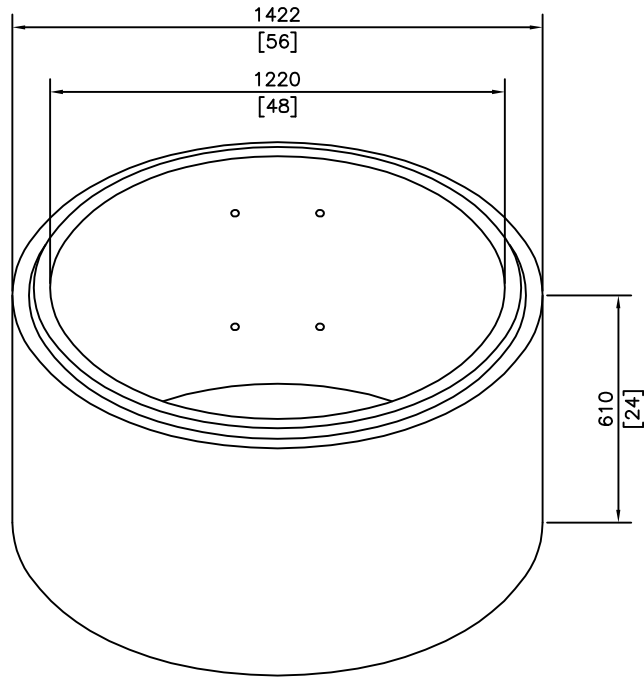
**100 HOLE DRYWELL
SOLID RISER
305mm (12") HEIGHT**

DRAWN BY: PKR
DATE: FEB 7 2005
SCALE: NTS

DRAWING:

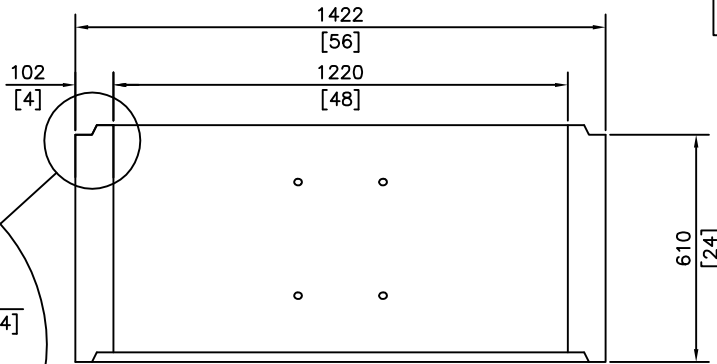
651

"Committed To Quality And Service"

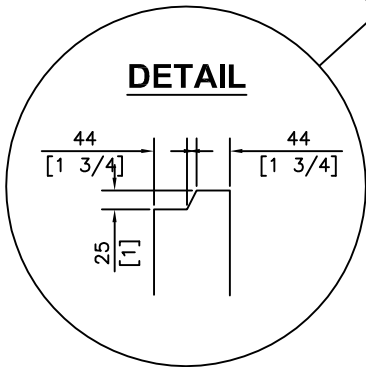


ISOMETRIC

NOTE:
c/w 2-3 3/8" LIFTING
ANCHORS FOR HANDLING



SECTION



30 MPa @ 28 DAYS
MEETS H-20 LOADING

WEIGHT: 590 kg

REVISED: MAR 14 2022



KON KAST
products (2005) ltd.

ph: (250) 765 1423
fx: (250) 765 0820
www.konkast.com

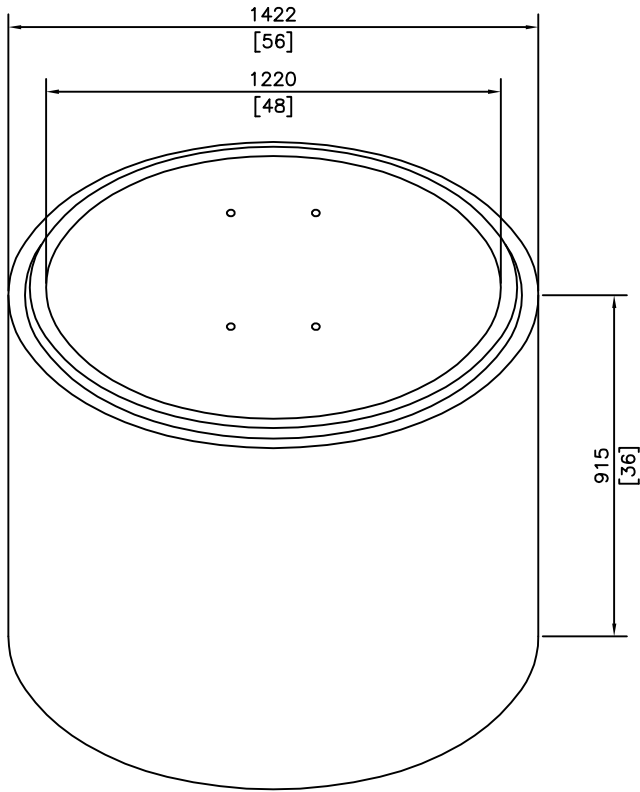
"Committed To Quality And Service"

DESCRIPTION

**100 HOLE DRYWELL
SOLID RISER
610mm (24") HEIGHT**

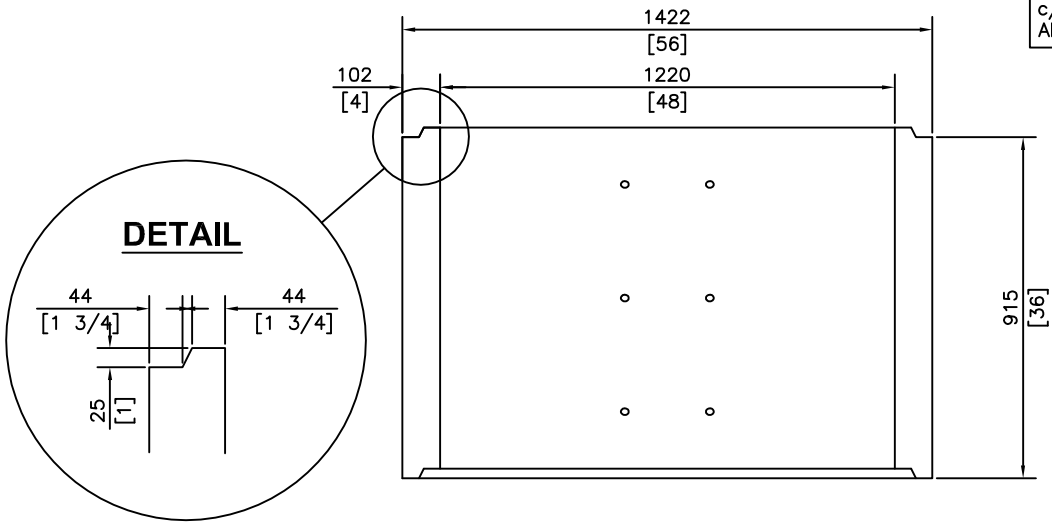
DRAWN BY: PKR
DATE: FEB 5 2005
SCALE: NTS
DRAWING:

652



ISOMETRIC

NOTE:
c/w 2-3 3/8" LIFTING
ANCHORS FOR HANDLING



SECTION

30 MPa @ 28 DAYS
MEETS H-20 LOADING

WEIGHT: 885 kg

REVISED: MAR 14 2022



KON KAST
products (2005) ltd.

ph: (250) 765 1423
fx: (250) 765 0820
www.konkast.com

"Committed To Quality And Service"

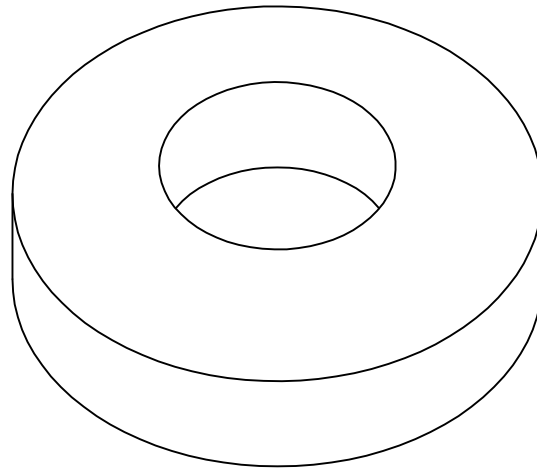
DESCRIPTION

**100 HOLE DRYWELL
SOLID RISER
915mm (36") HEIGHT**

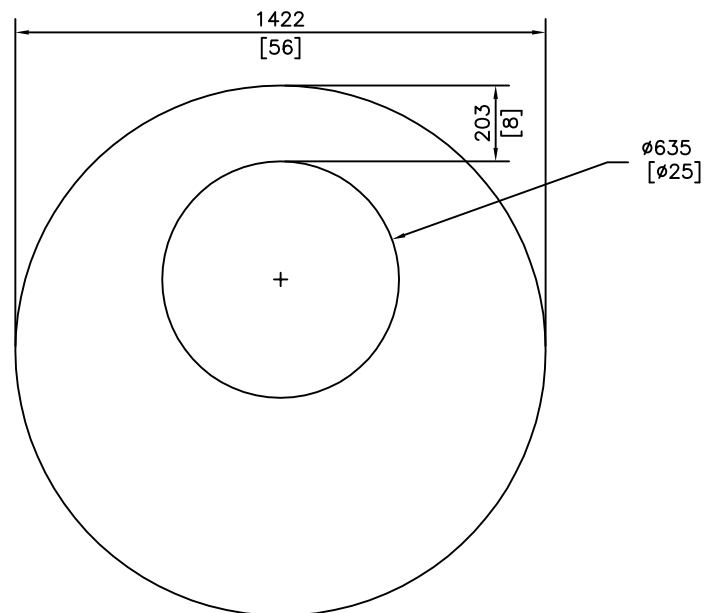
DRAWN BY: PKR
DATE: FEB 7 2005
SCALE: NTS

DRAWING:

653

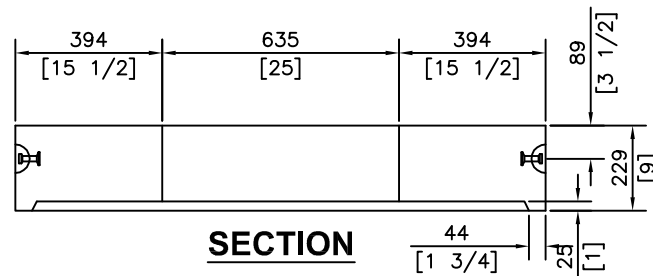


ISOMETRIC



PLAN

NOTE:
c/w 3-3 3/8" LIFTING
ANCHORS FOR HANDLING



SECTION

30 MPa @ 28 DAYS
MEETS OR EXCEEDS ASTM C478 & CSA A257.4-14
MEETS H-20 LOADING
WEIGHT: 584 kg

REVISED: JULY 24 2020



KON KAST
products (2005) ltd.

ph: (250) 765 1423
fx: (250) 765 0820
www.konkast.com

"Committed To Quality And Service"

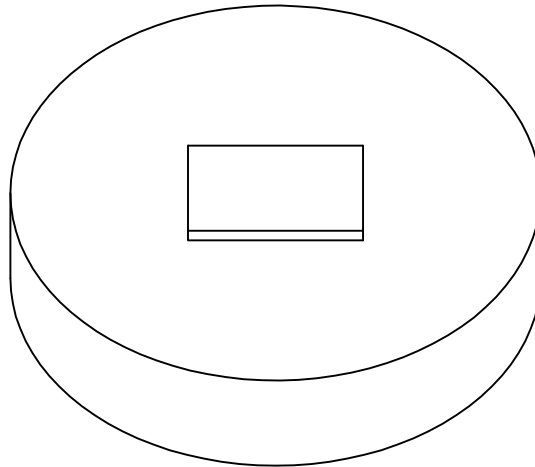
DESCRIPTION

**100 HOLE
DRYWELL LID
c/w 635mm (25") OPENING**

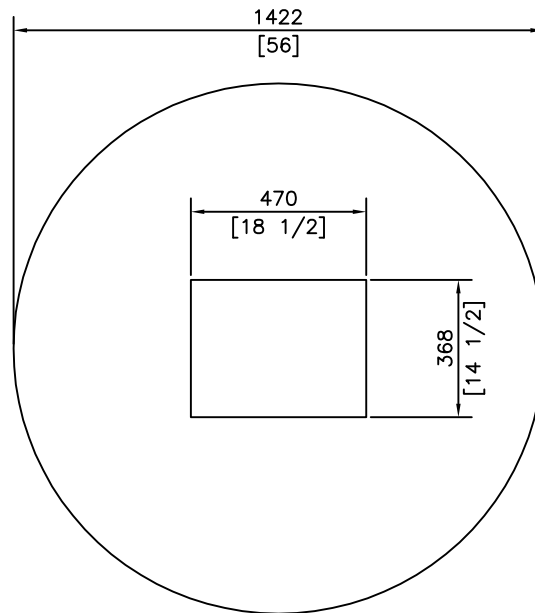
DRAWN BY: PKR
DATE: FEB 3 2005
SCALE: NTS

DRAWING:

675

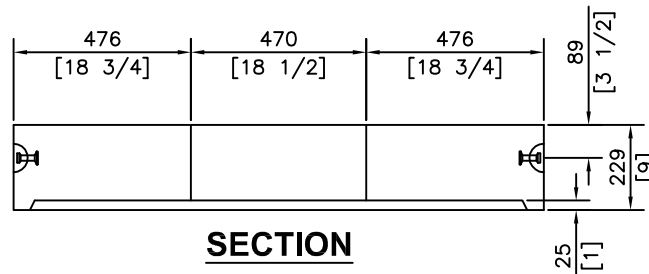


ISOMETRIC



PLAN

NOTE:
c/w 3-3 3/8" LIFTING
ANCHORS FOR HANDLING



SECTION

30 MPa @ 28 DAYS
MEETS OR EXCEEDS ASTM C478 & CSA A257.4-14
MEETS H-20 LOADING
WEIGHT: 654 kg

REVISED: JULY 24 2020



KON KAST
products (2005) ltd.

ph: (250) 765 1423
fx: (250) 765 0820
www.konkast.com

"Committed To Quality And Service"

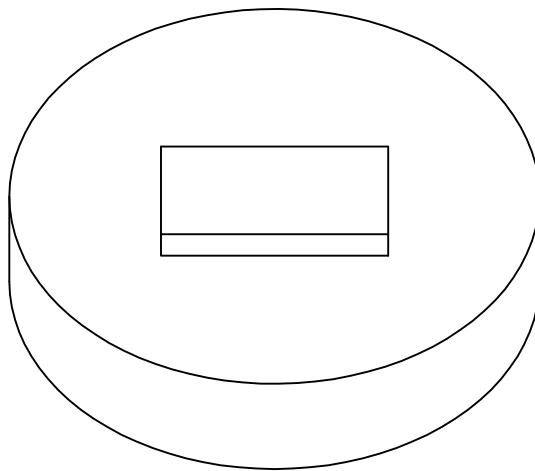
DESCRIPTION

**100 HOLE
DRYWELL LID
c/w TR37 OPENING**

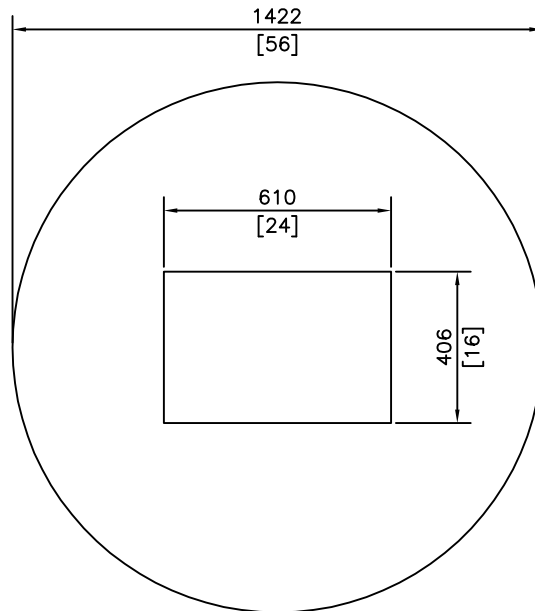
DRAWN BY: PKR
DATE: JAN 27 05
SCALE: NTS

DRAWING:

675CB

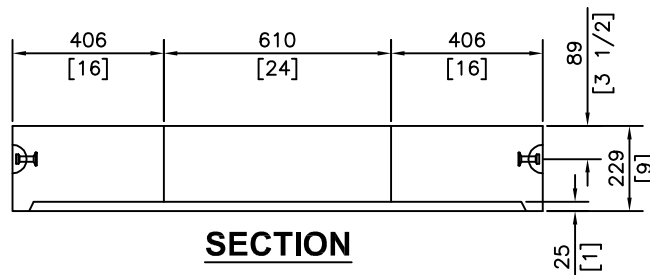


ISOMETRIC



PLAN

NOTE:
c/w 3-3 3/8" LIFTING
ANCHORS FOR HANDLING



SECTION

30 MPa @ 28 DAYS
MEETS OR EXCEEDS ASTM C478 & CSA A257.4-14
MEETS H-20 LOADING
WEIGHT: 635 kg

REVISED: JULY 24 2020



KON KAST
products (2005) ltd.

ph: (250) 765 1423
fx: (250) 765 0820
www.konkast.com

"Committed To Quality And Service"

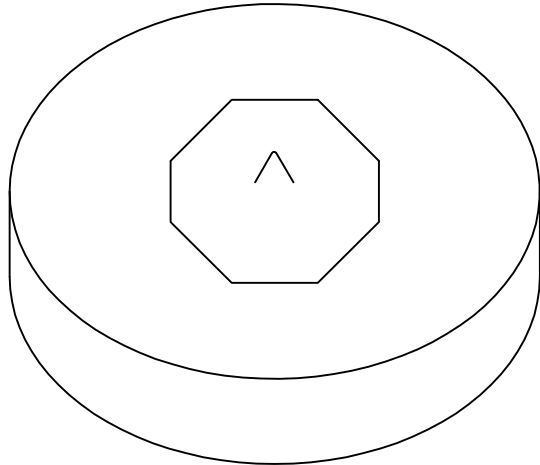
DESCRIPTION

**100 HOLE
DRYWELL LID
c/w HWY OPENING**

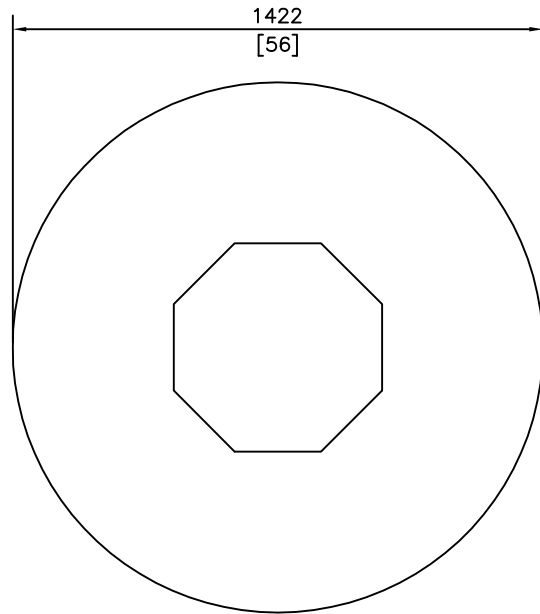
DRAWN BY: PKR
DATE: JAN 27 05
SCALE: NTS

DRAWING:

675CBH

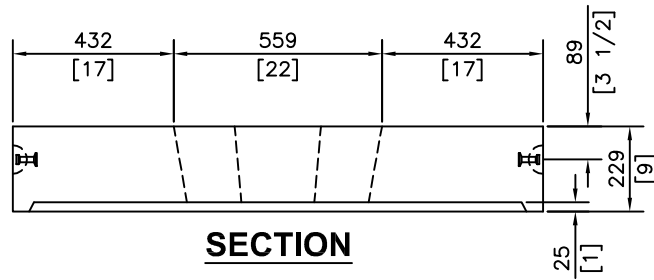


ISOMETRIC



PLAN

NOTE:
c/w 3-3 3/8" LIFTING
ANCHORS FOR HANDLING



SECTION

30 MPa @ 28 DAYS
MEETS OR EXCEEDS ASTM C478 & CSA A257.4-14

WEIGHT: 730 kg

REVISED: JULY 24 2020



KON KAST
products (2005) ltd.

ph: (250) 765 1423
fx: (250) 765 0820
www.konkast.com

"Committed To Quality And Service"

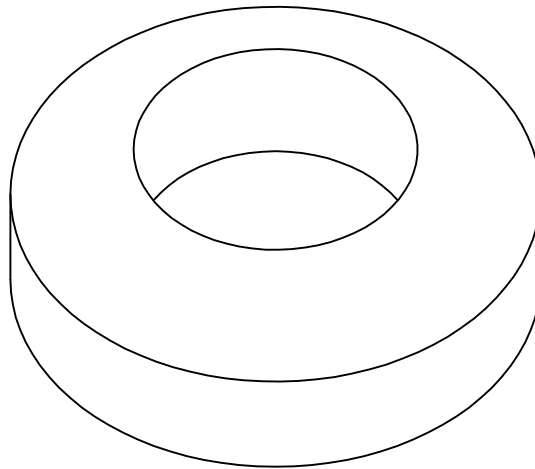
DESCRIPTION

**100 HOLE
DRYWELL LID
c/w PLUG**

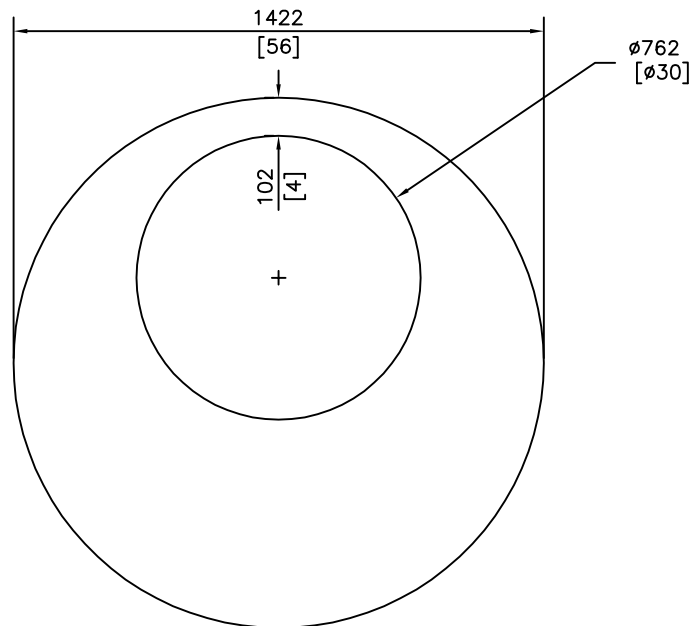
DRAWN BY: PKR
DATE: JAN 27 05
SCALE: NTS

DRAWING:

675P

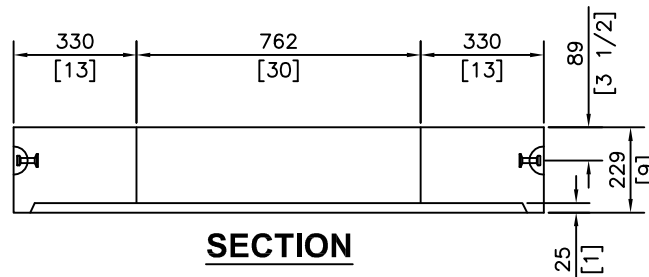


ISOMETRIC



PLAN

NOTE:
c/w 3-3 3/8" LIFTING
ANCHORS FOR HANDLING



SECTION

30 MPa @ 28 DAYS
MEETS OR EXCEEDS ASTM C478 & CSA A257.4-14
MEETS H-20 LOADING
WEIGHT: 520 kg

REVISED: JULY 24 2020



KON KAST
products (2005) ltd.

ph: (250) 765 1423
fx: (250) 765 0820
www.konkast.com

"Committed To Quality And Service"

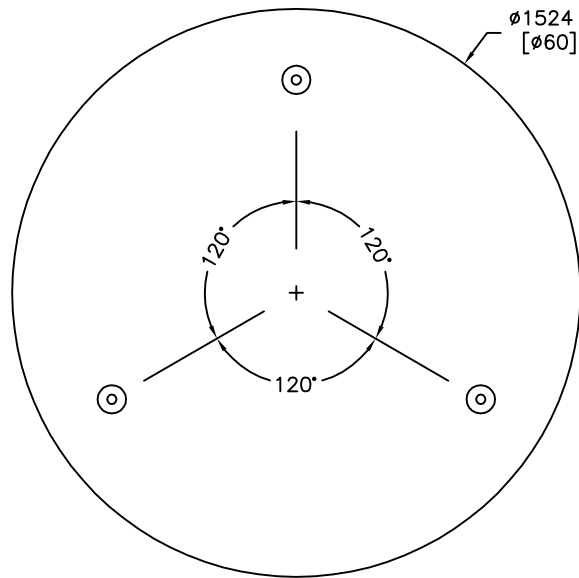
DESCRIPTION

**100 HOLE
DRYWELL LID
c/w 762mm (30") OPENING**

DRAWN BY: PKR
DATE: JAN 27 05
SCALE: NTS

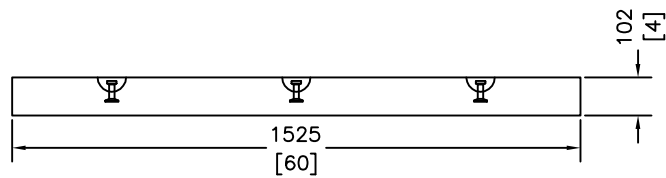
DRAWING:

676



PLAN

NOTE:
c/w 3-55mm LIFTING
ANCHORS FOR HANDLING



SECTION

30 MPa @ 28 DAYS
H-20 STATIC LOAD RATED

WEIGHT: 431 kg

REVISED: MAR 14 2022



KON KAST
products (2005) ltd.

ph: (250) 765 1423
fx: (250) 765 0820
www.konkast.com

"Committed To Quality And Service"

DESCRIPTION

**100 HOLE
DRYWELL BASE
1500mm (60")**

DRAWN BY: PKR
DATE: FEB 4 2005
SCALE: NTS

DRAWING:

685