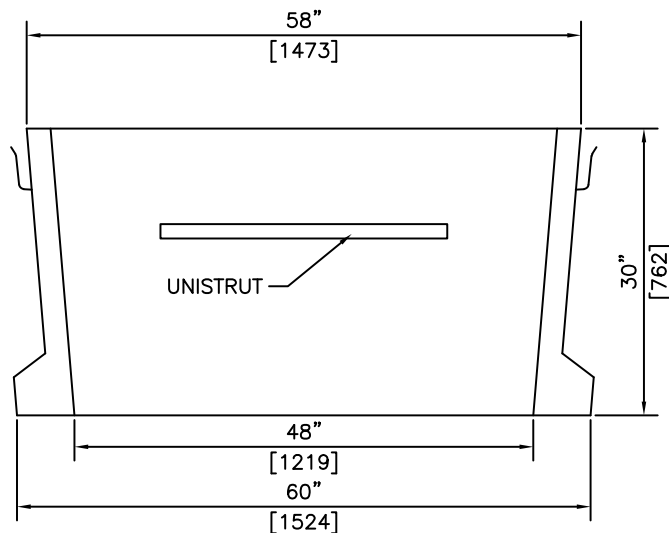


**ISOMETRIC**




**SECTION**

**NOTES:**

1) 27.6 MPA @ 28 DAYS

REVISED: MAY 3 2006

 <p><b>KON KAST</b> products (2005) Ltd. "Committed To Quality And Service"</p>	<p>3440 UNIVERSITY WAY KELOWNA B.C. V1V 1V9 PH: (250)765-1423 FX: (250)765-0820</p>	<p>BY: PKR</p>	<p><b>58" x 58" x 30"</b> <b>PULLBOX</b> <b>WITH UNISTRUTS</b></p>	<p>ITEM NO.</p>
		<p>DATE: FEB 15 05</p>		<p><b>1018</b></p>
		<p>SCALE: NTS</p>		