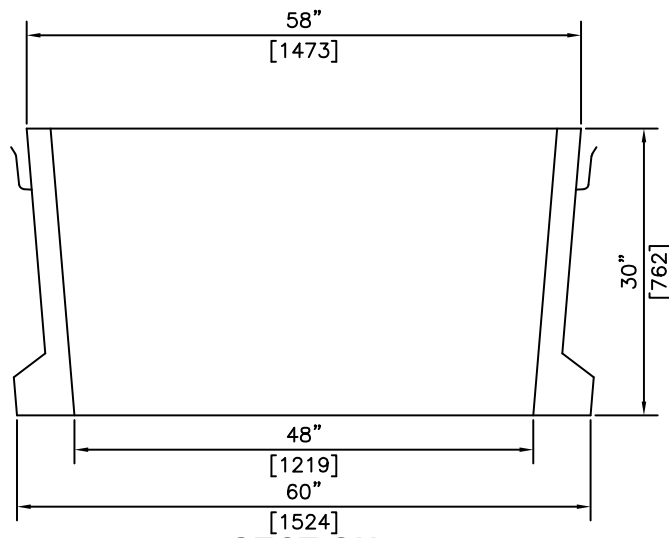


ISOMETRIC




SECTION

NOTES:

1) 27.6 MPA @ 28 DAYS

REVISED: MAY 3 2006

 <p>KON KAST products (2005) Ltd. "Committed To Quality And Service"</p>	<p>3440 UNIVERSITY WAY KELOWNA B.C. V1V 1V9 PH: (250)765-1423 FX: (250)765-0820</p>	<p>BY: PKR DATE: FEB 15 05 SCALE: NTS</p>	<p>58" x 58" x 30" PULLBOX WITHOUT UNISTRUTS</p>	<p>ITEM NO. 1019</p>