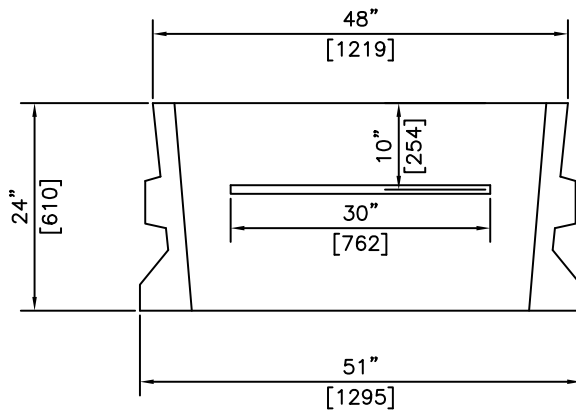
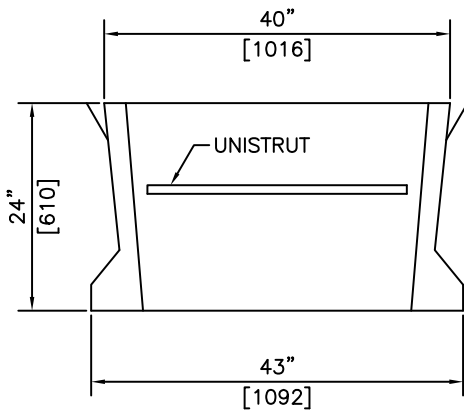


LIFTING SUPPORTS or
 ø5/16" G.A.C.
 LIFTING CABLES

ISOMETRIC




SECTIONS

NOTES:

- 1) 27.6 MPa @ 28 DAYS
- 2) MEETS H-20 LOADING

REVISED: MAY 3 2006

 <p>KON KAST products (2005) Ltd. "Committed To Quality And Service"</p>	3440 UNIVERSITY WAY KELOWNA B.C. V1V 1V9 PH: (250)765-1423 FX: (250)765-0820	BY: PKR	40 x 48 TRANSFORMER SUPPORT BOX WITH UNISTRUT	ITEM NO.
		DATE: FEB 21 05		1031
		SCALE: NTS		