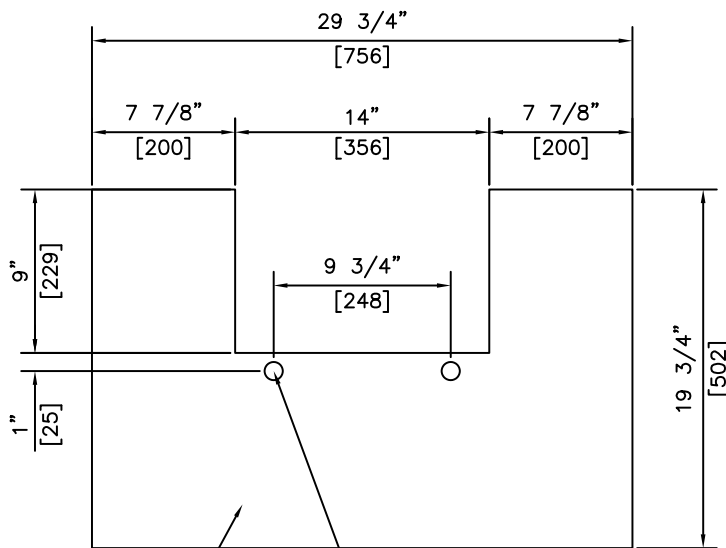


**ISOMETRIC**




1/4" (6) PLATE STEEL LID (FILLER) —  $\varnothing 9/16"$  (14) HOLES

**PLAN**

**NOTES:**

1) MEETS H-20 LOADING

REVISED: FEB 21 2005

 <b>KON KAST</b> products (2005) Ltd. "Committed To Quality And Service"	3440 UNIVERSITY WAY KELOWNA B.C. V1V 1V9 PH: (250)765-1423 FX: (250)765-0820	BY: PKR DATE: FEB 21 05 SCALE: NTS	<b>40" x 48" (1016x1219)</b> <b>LID No.4</b> <b>(37KV<sub>a</sub> FILLER)</b>	ITEM NO. <b>1039</b>