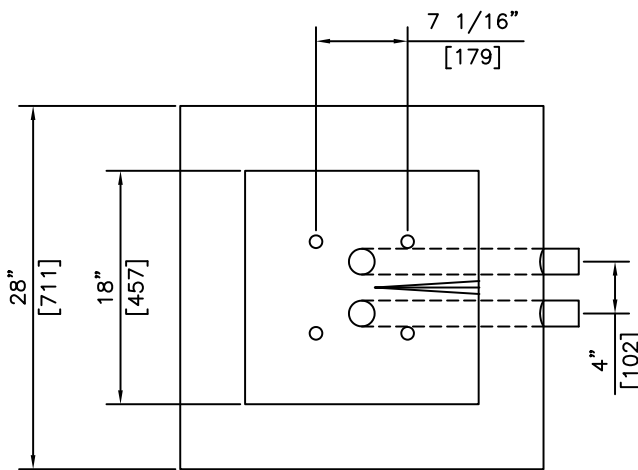
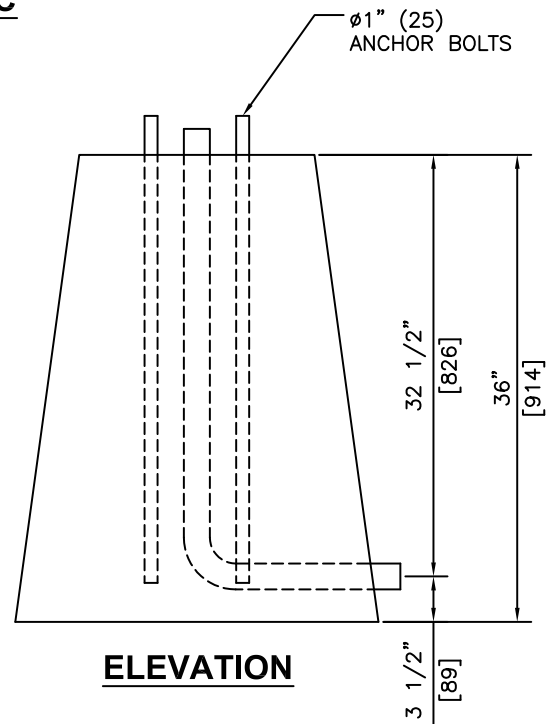


ISOMETRIC



PLAN




ELEVATION

NOTES:

1) 27.6 MPa @ 28 DAYS

REVISED: FEB 22 2005

 <p>KON KAST products (2005) Ltd. "Committed To Quality And Service"</p>	<p>3440 UNIVERSITY WAY KELOWNA B.C. V1V 1V9 PH: (250)765-1423 FX: (250)765-0820</p>	<p>BY: PKR</p>	<p>22 FT LIGHT STANDARD BASE</p>	<p>ITEM NO.</p>
		<p>DATE: FEB 22 05</p>		<p>1044</p>
		<p>SCALE: NTS</p>		