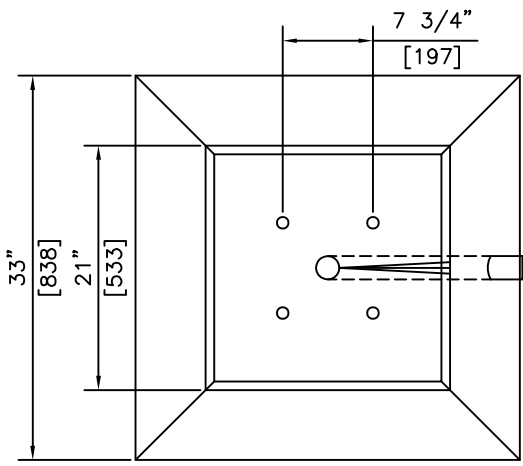
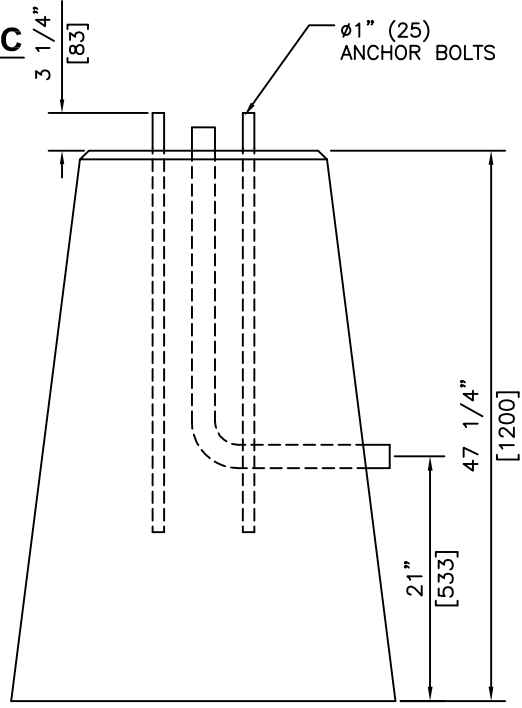


NOTE:
c/w 2-3 $3/8"$ LIFTING
ANCHORS FOR HANDLING

ISOMETRIC




PLAN



ELEVATION

NOTES:
1) 27.6 MPa @ 28 DAYS

REVISED: JAN 10 2008

| | | | | |
|--|---|-----------------|--|--------------------|
|  <p>KON KAST products (2005) Ltd. "Committed To Quality And Service"</p> | <p>3440 UNIVERSITY WAY KELOWNA B.C. V1V 1V9 PH: (250)765-1423 FX: (250)765-0820</p> | BY: PKR | <p>1200mm (47 1/4") LIGHT STANDARD BASE</p> | ITEM NO. |
| | | DATE: FEB 22 05 | | <p>1046</p> |
| | | SCALE: NTS | | |