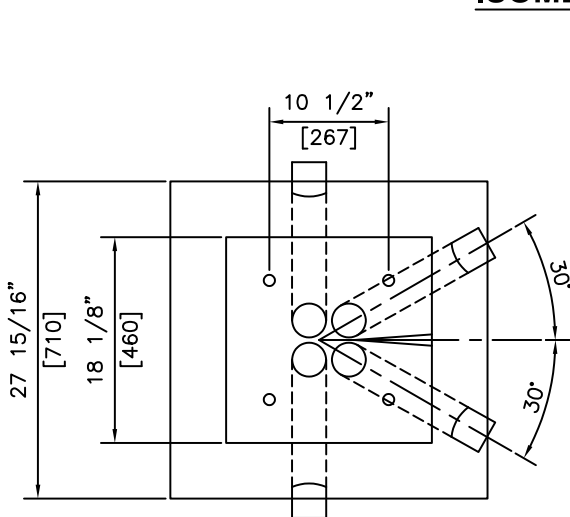
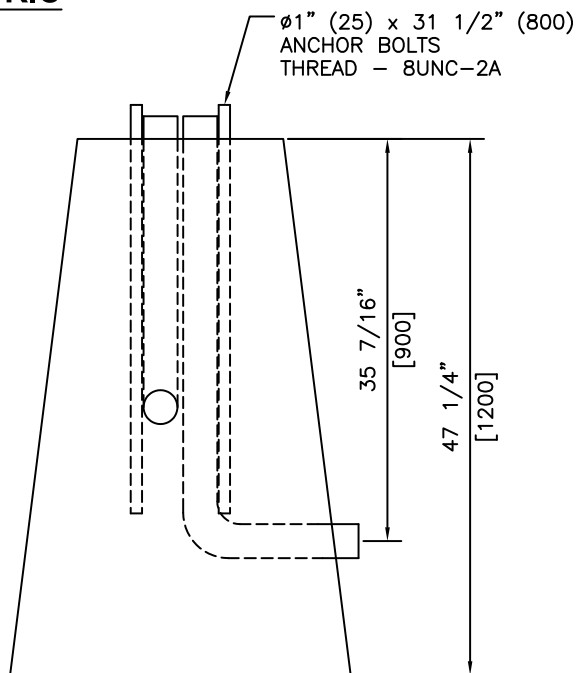


**ISOMETRIC**



**PLAN**



**ELEVATION**

**NOTES:**

1) 27.6 MPa @ 28 DAYS

REVISED: FEB 22 2005



**KON KAST**  
products (2005) Ltd.  
"Committed To Quality And Service"

3440 UNIVERSITY WAY  
KELOWNA B.C.  
V1V 1V9  
PH: (250)765-1423  
FX: (250)765-0820

BY: PKR

DATE: FEB 22 05

SCALE: NTS

**TYPE E-11**

**LIGHT STANDARD BASE**  
**PEN STOCK #21-01-014**

ITEM NO.

**1048**