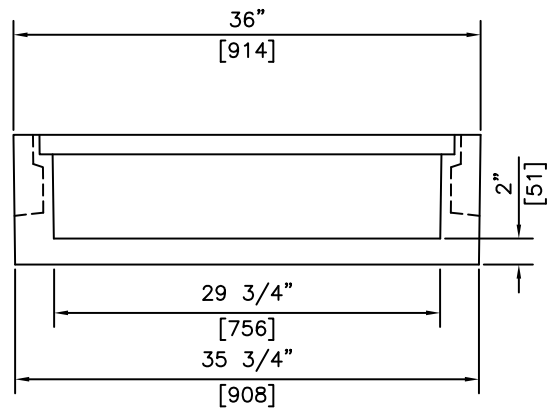
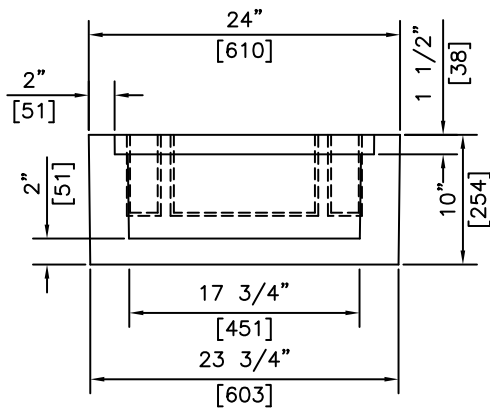
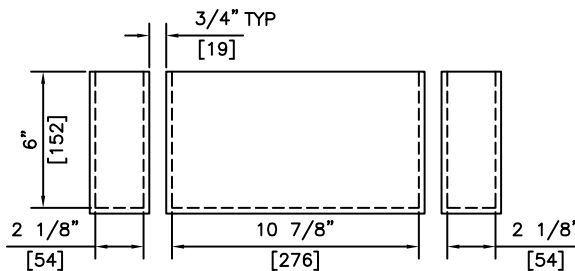


**ISOMETRIC**

SGL STRAND G.A.C.  
LIFTING CABLE



**SECTION**



**KNOCKOUT DETAIL**

**NOTES:**

- 1) MEETS H-20 LOADING
- 2) 30 MPa @ 28 DAYS

NOTE: CUSTOMER TO USE A SPREADER  
AND TWO (2) TAIL CHAIN OR CHIPPING AND  
CRACKING MAY OCCUR

REVISED: MAR 27 2006



**KON KAST**

products (2005) Ltd.  
"Committed To Quality And Service"

3440 UNIVERSITY WAY  
KELOWNA B.C.  
V1V 1V9  
PH: (250)765-1423  
FX: (250)765-0820

BY: PKR

DATE: JAN 26 06

SCALE: NTS

**1060B**  
**SERVICE / JUNCTION**  
**BOX**

ITEM NO.

**1060B**