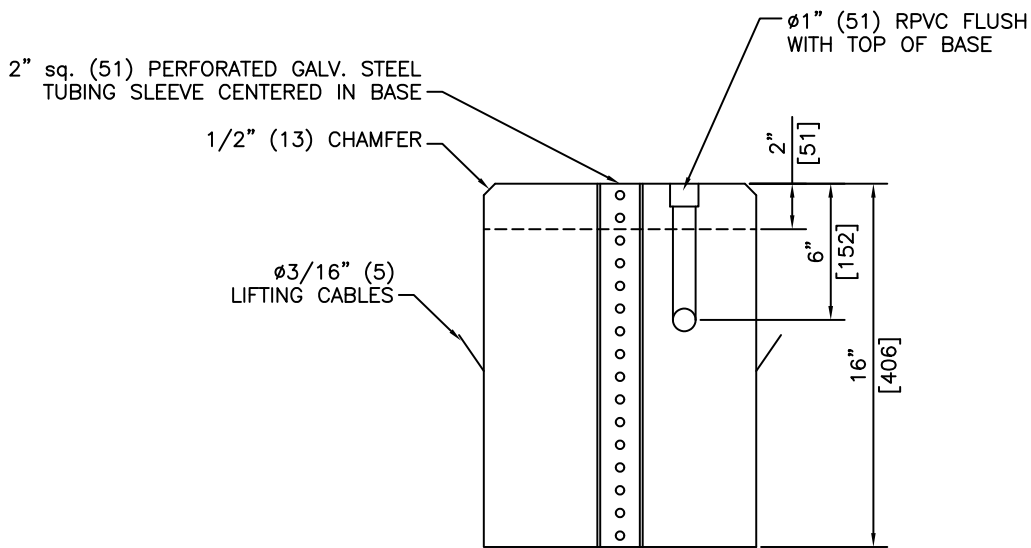


PLAN



SECTION

NOTES:

1) 30 MPa @ 28 DAYS

REVISED: FEB 25 2005



KON KAST
products (2005) Ltd.
"Committed To Quality And Service"

3440 UNIVERSITY WAY
KELOWNA B.C.
V1V 1V9
PH: (250)765-1423
FX: (250)765-0820

BY: PKR

DATE: FEB 25 05

SCALE: NTS

**POST MOUNTED
FLASHER
CONCRETE BASE**

ITEM NO.

930