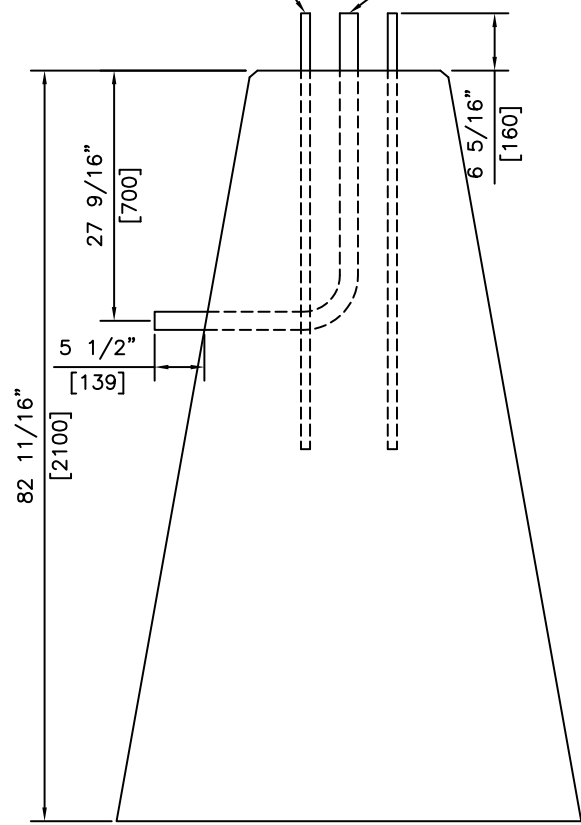


PLAN

4 - $\varnothing 1"$ x 48" LONG (25x1219) GALVANIZED GRADE 150 DYWIDAG BOLTS


$\varnothing 2"$ (51) R.P.V.C. CONDUIT



SECTION

NOTES:
1) 30 MPa @ 28 DAYS

REVISED: FEB 28 2005

 <p>KON KAST products (2005) Ltd. "Committed To Quality And Service"</p>	<p>3440 UNIVERSITY WAY KELOWNA B.C. V1V 1V9 PH: (250)765-1423 FX: (250)765-0820</p>	BY: PKR	<p>TYPE 'S2' LIGHT STANDARD BASE</p>	ITEM NO.
		DATE: FEB 28 05		<p>937S</p>
		SCALE: NTS		