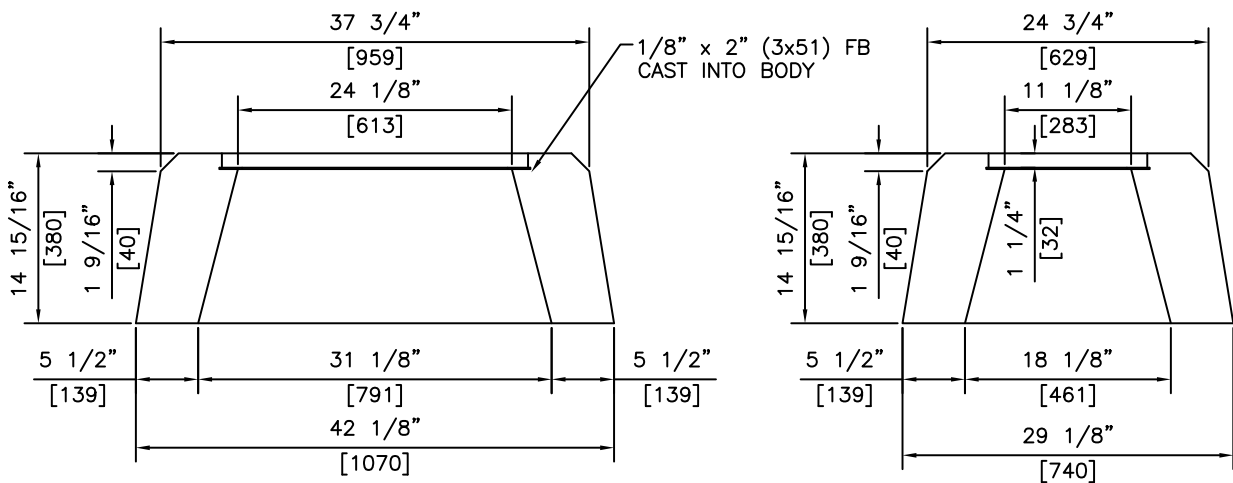


ISOMETRIC



SECTIONS

ITEM No.	OVERALL HEIGHT
938	8" (203)
939	12" (305)
940	AS SHOWN

NOTES:

- 1) 30 MPa @ 28 DAYS
- 2) DESIGN LOAD = MS 200
- 3) LIFT USING MOT INTERIOR LIFTING APPARATUS

REVISED: FEB 28 2005

KON KAST
 products (2005) Ltd.
 "Committed To Quality And Service"

3440 UNIVERSITY WAY
 KELOWNA B.C.
 V1V 1V9
 PH: (250)765-1423
 FX: (250)765-0820

BY: PKR
 DATE: FEB 28 05
 SCALE: NTS

MOT ELECTRICAL
JUNCTION BOX
925 SERIES

ITEM NO.
940