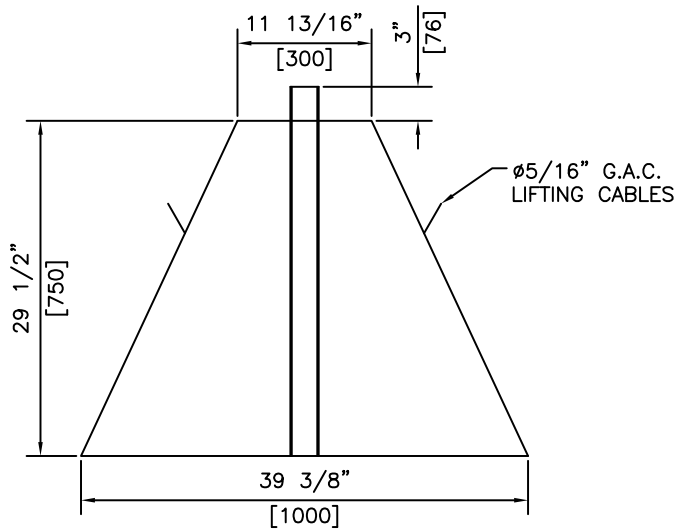


**ISOMETRIC**



**SECTION**

**NOTES:**

1) 30 MPa @ 28 DAYS

REVISED: MAR 1 2005



"Committed To Quality And Service"

**KON KAST**

products (2005) Ltd.

3440 UNIVERSITY WAY  
KELOWNA B.C.  
V1V 1V9  
PH: (250)765-1423  
FX: (250)765-0820

BY: PKR

DATE: MAR 1 05

SCALE: NTS

**ONE METRE  
CONCRETE SIGN  
PEDESTAL**

ITEM NO.

**942**