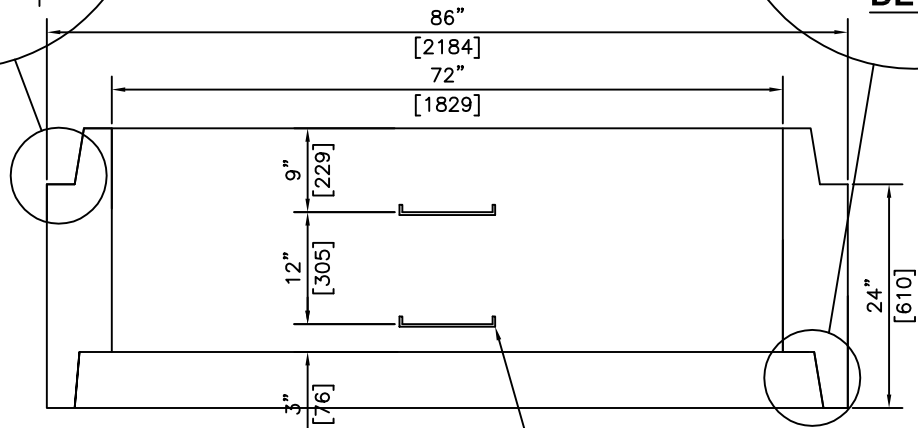
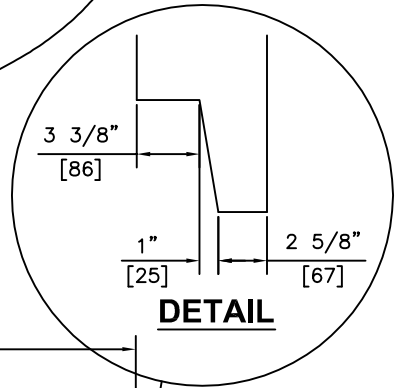
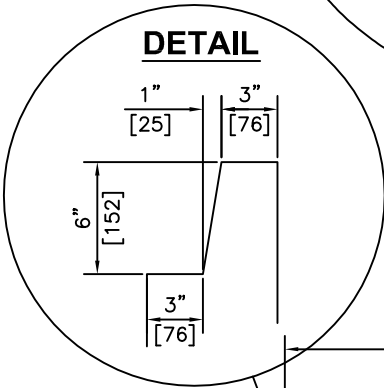


ISOMETRIC

NOTE:
c/w 3-3 3/8" UNI-LIFT
ANCHORS FOR HANDLING




SECTION

ALUMINUM LADDER RUNG MSU MODEL #350
4" (102) FROM WALL AT POINT OF EMBEDMENT

NOTES:

- 1) MEETS OR EXCEEDS ASTM C-478
- 2) 27.6 MPa @ 28 DAYS
- 3) MEETS H-20 LOADING

REVISED: SEP 11 2006

| | | | | |
|----------------------------------------------------------------------------------------------------------------------------------------------------------------------------|-----------------------------------------------------------------------------------------------------|----------------|---------------------------------------------------------------------------------------|-------------------|
|  <p>KON KAST products (2005) Ltd. "Committed To Quality And Service"</p> | <p>3440 UNIVERSITY WAY KELOWNA B.C. V1V 1V9 PH: (250)765-1423 FX: (250)765-0820</p> | BY: PKR | <p>72" (1829) I.D. x 24" (610) HEIGHT MANHOLE BARREL</p> | ITEM NO. |
| | | DATE: FEB 8 05 | | <p>782</p> |
| | | SCALE: NTS | | |