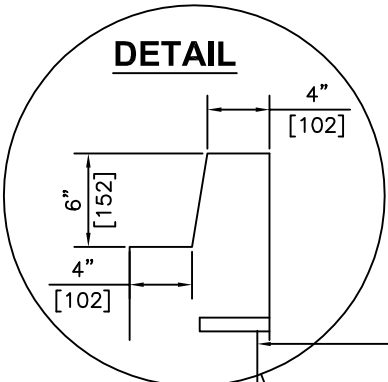
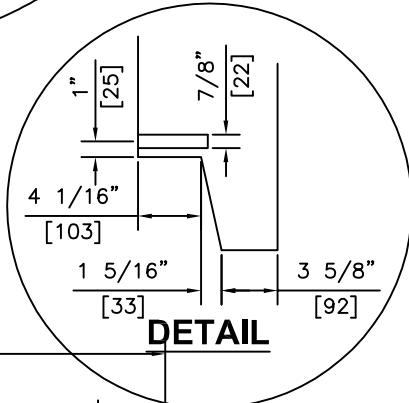


**ISOMETRIC**

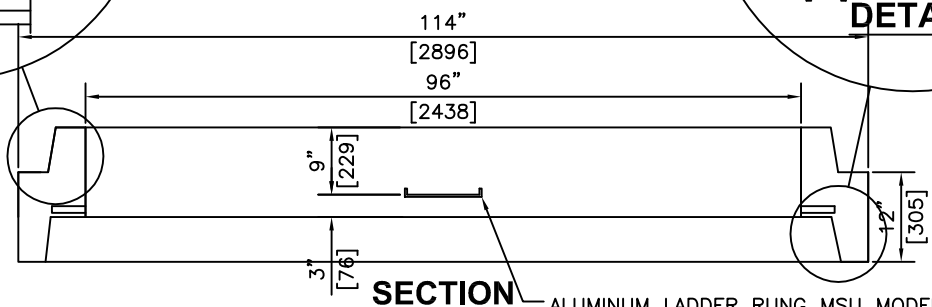
NOTE:  
c/w 4-4 3/4" (4T) LIFTING  
ANCHORS FOR HANDLING



**DETAIL**



**DETAIL**




**SECTION**

ALUMINUM LADDER RUNG MSU MODEL #350  
4" (102) FROM WALL AT POINT OF EMBEDMENT

- NOTES:**
- 1) MEETS OR EXCEEDS ASTM C-478
  - 2) 27.6 MPa @ 28 DAYS
  - 3) MEETS H-20 LOADING

REVISED: JAN 9 2008

 <p><b>KON KAST</b> products (2005) Ltd. "Committed To Quality And Service"</p>	<p>3440 UNIVERSITY WAY KELOWNA B.C. V1V 1V9 PH: (250)765-1423 FX: (250)765-0820</p>	BY: PKR	<p><b>96" (2400) I.D.</b> <b>x 12" (305) HEIGHT</b> <b>MANHOLE BARREL</b></p>	ITEM NO.
		DATE: SEP 11 06		<p><b>787</b></p>
		SCALE: NTS		