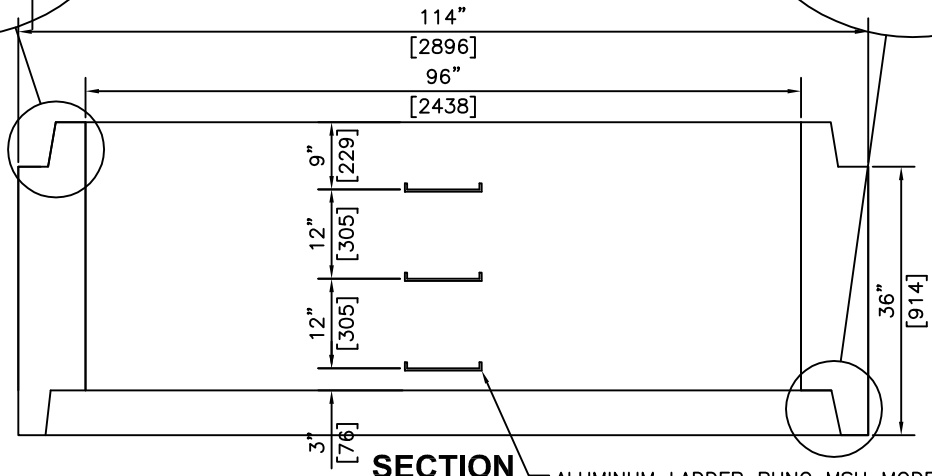
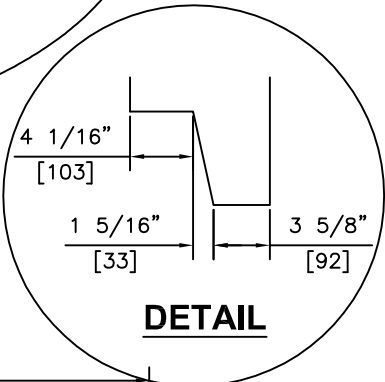
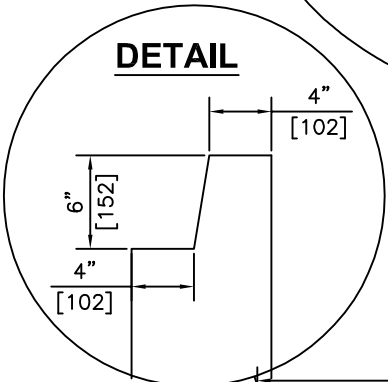


ISOMETRIC

NOTE:
c/w 4-4 3/4" (4T) LIFTING ANCHORS FOR HANDLING




SECTION

ALUMINUM LADDER RUNG MSU MODEL #350
4" (102) FROM WALL AT POINT OF EMBEDMENT

NOTES:

- 1) MEETS OR EXCEEDS ASTM C-478
- 2) 27.6 MPa @ 28 DAYS
- 3) MEETS H-20 LOADING

REVISED: JAN 9 2008

 <p>KON KAST products (2005) Ltd. "Committed To Quality And Service"</p>	<p>3440 UNIVERSITY WAY KELOWNA B.C. V1V 1V9 PH: (250)765-1423 FX: (250)765-0820</p>	BY: PKR	<p>96" (2400) I.D. x 36" (915) HEIGHT MANHOLE BARREL</p>	ITEM NO.
		DATE: SEP 11 06		<p>789</p>
		SCALE: NTS		