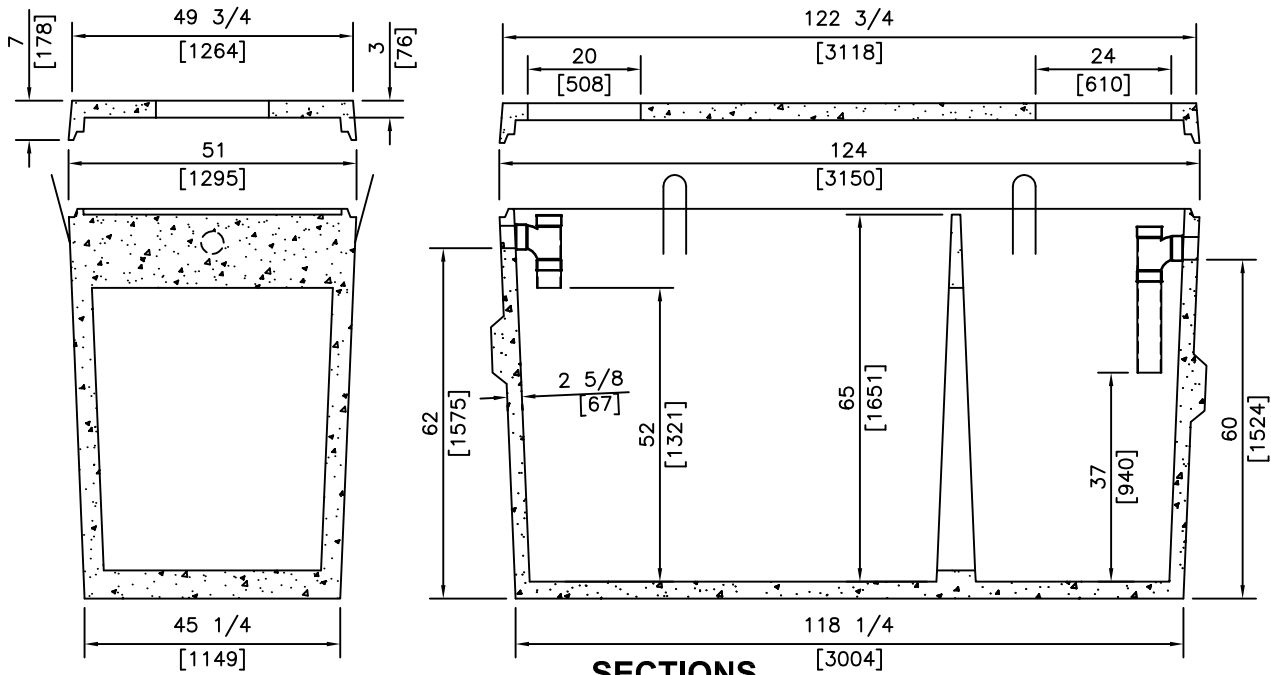


ISOMETRIC



SECTIONS

C.S.A. B-66 LATEST
 32MPa @ 28 DAYS
 TANK: 2811kg LID: 814 kg

REVISED: OCT 1 2019



KON KAST
 products (2005) ltd.

ph: (250) 765 1423
 fx: (250) 765 0820
 www.konkast.com

DESCRIPTION

1000 GAL (4540L)
ONE PIECE
PUMPOUT TANK

DRAWN BY: PKR
 DATE: JUN 20 05
 SCALE: NTS

DRAWING:

106

"Committed To Quality And Service"