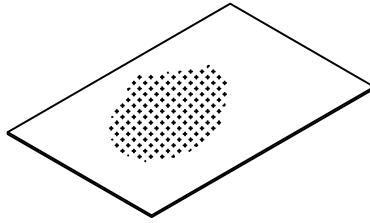


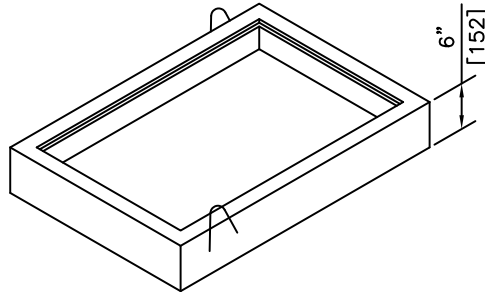
1153 LID

WEIGHT = 91 Lbs.



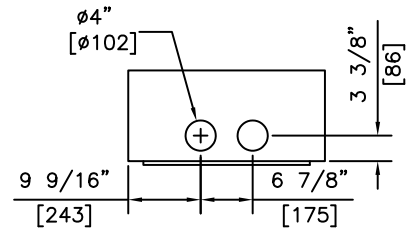
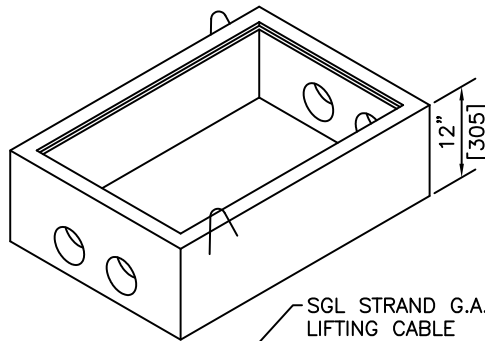
1151R 6" RISER

WEIGHT = 144 Lbs.



**1151 BODY
c/w TERMINATORS**

WEIGHT = 275 Lbs.

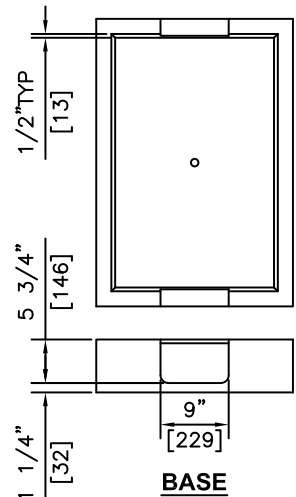
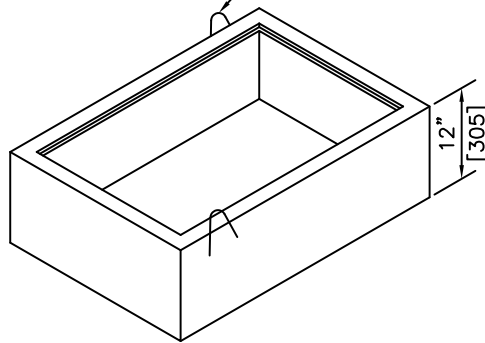


**TERMINATOR DETAIL
TYPICAL BOTH ENDS**

SGL STRAND G.A.C.
LIFTING CABLE
(TYP)

1151 BODY

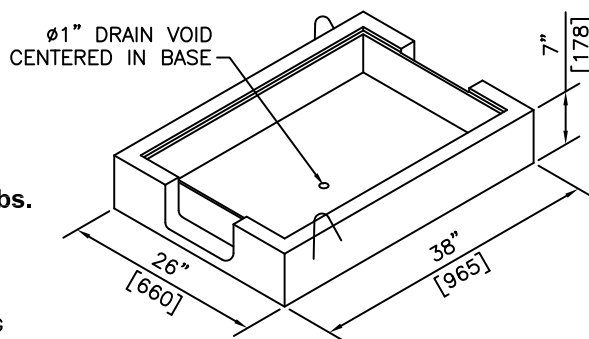
WEIGHT = 287 Lbs.



**BASE
KNOCKOUT DETAIL
TYPICAL BOTH ENDS**

1152 BASE

WEIGHT = 275 Lbs.



NOTES:

- 1) 30 MPa @ 28 DAYS
- 2) MEETS H-20 LOADING
- 3) TYPE 50 CONCRETE

REVISED: MAY 3 2006



KON KAST

products (2005) Ltd.
"Committed To Quality And Service"

3440 UNIVERSITY WAY
KELOWNA B.C.
V1V 1V9
PH: (250)765-1423
FX: (250)765-0820

BY: PKR

DATE: MAR 8 05

SCALE: NTS

SERVICE BOX

ITEM NO.

1151