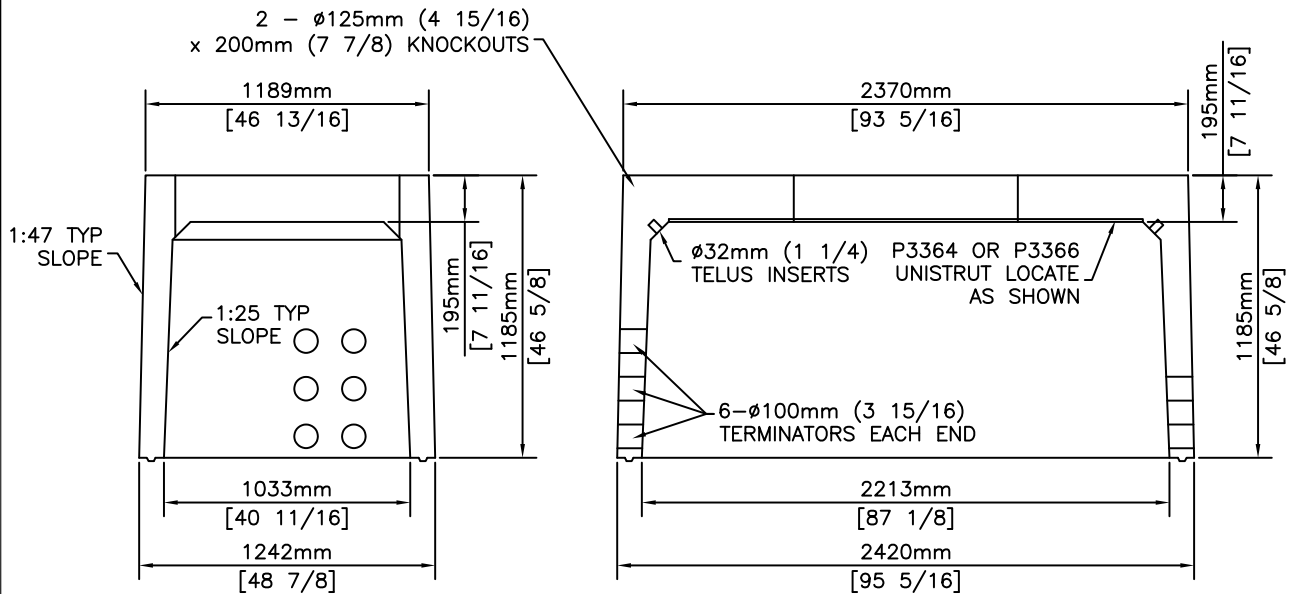


ISOMETRIC



SECTIONS

NOTES:

- 1) 30 MPa @ 28 DAYS
- 2) MEETS H-20 LOADING
- 3) TYPE 50 CONCRETE

REVISED: MAR 9 2005



KON KAST

products (2005) Ltd.
 "Committed To Quality And Service"

3440 UNIVERSITY WAY
 KELOWNA B.C.
 V1V 1V9
 PH: (250)765-1423
 FX: (250)765-0820

BY: PKR

DATE: MAR 9 05

SCALE: NTS

**PLMH 2102
 MINI MANHOLE
 TOP**

ITEM NO.

1156T